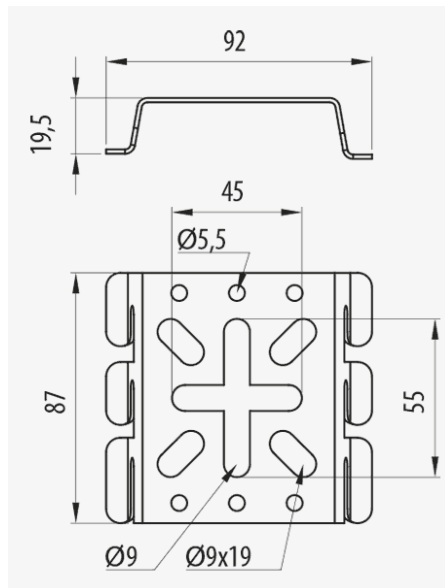


**Mini Universal Bracket** ( Ref: 62026010 )



**Description**

Mini Universal steel bracket in various protection systems for the wall mounting of Rejiband® trays by means of the fast click connection system without the need of screws. With PG protection system, PG3 finish. The wall bracket is suitable for Rejiband® trays of 100 and 150 mm width in a horizontal or vertical position, as well as for attaching boxes or other accessories. Depending on the Protection System it can be used in many different installations.

**Advantages**

Supports can be mounted on the side or base of the tray.

Available in various protection systems: PG, HC, BK8 and passivated stainless steel AISI 316.

Fixing by quick click system.

Simple and quick assembly without the need of special tools.

**Applications**

Suitable for the support of trays to the wall or for the installation of boxes or other devices on Rejiband wire mesh trays intended for the management of cables in electrical and telecommunications installations in public buildings, infrastructures and civil works, industrial installations and tertiary sector.

**Solutions**



RENEWABLE ENERGIES



[www.pemsa-rejiband.com](http://www.pemsa-rejiband.com)

Any information included in this document is property of Pemsa®. It cannot be copied, total or partially, nor disclosed to third parties nor used without the explicit and written authorization by Pemsa®. These documents total or partially, can be subject to patent and/or be patent pending and therefore protected by intellectual and industrial property rights. Pemsa, Rejiband, Pemsaband, Inducanal, Rejitech, Megaband, Pemsaflex are registered trademarks property of "Pemsa Cable Management, S.A."



**Mini Universal Bracket** ( Ref: 62026010 )

**Product data**

<b>ETIM 10</b>	EC001004	<b>u</b>	10
<b>Protection System</b>	PG	<b>Material</b>	Steel with surface coating
<b>Finish</b>	PG3, Pregalvanised	<b>Working temperature range (°C)</b>	-50 / 150 °C
<b>Resistance Class</b>	Class 3	<b>Fire resistance</b>	A1 No combustible
<b>kg/u</b>	0.094		

**Ⓢ Protection System**

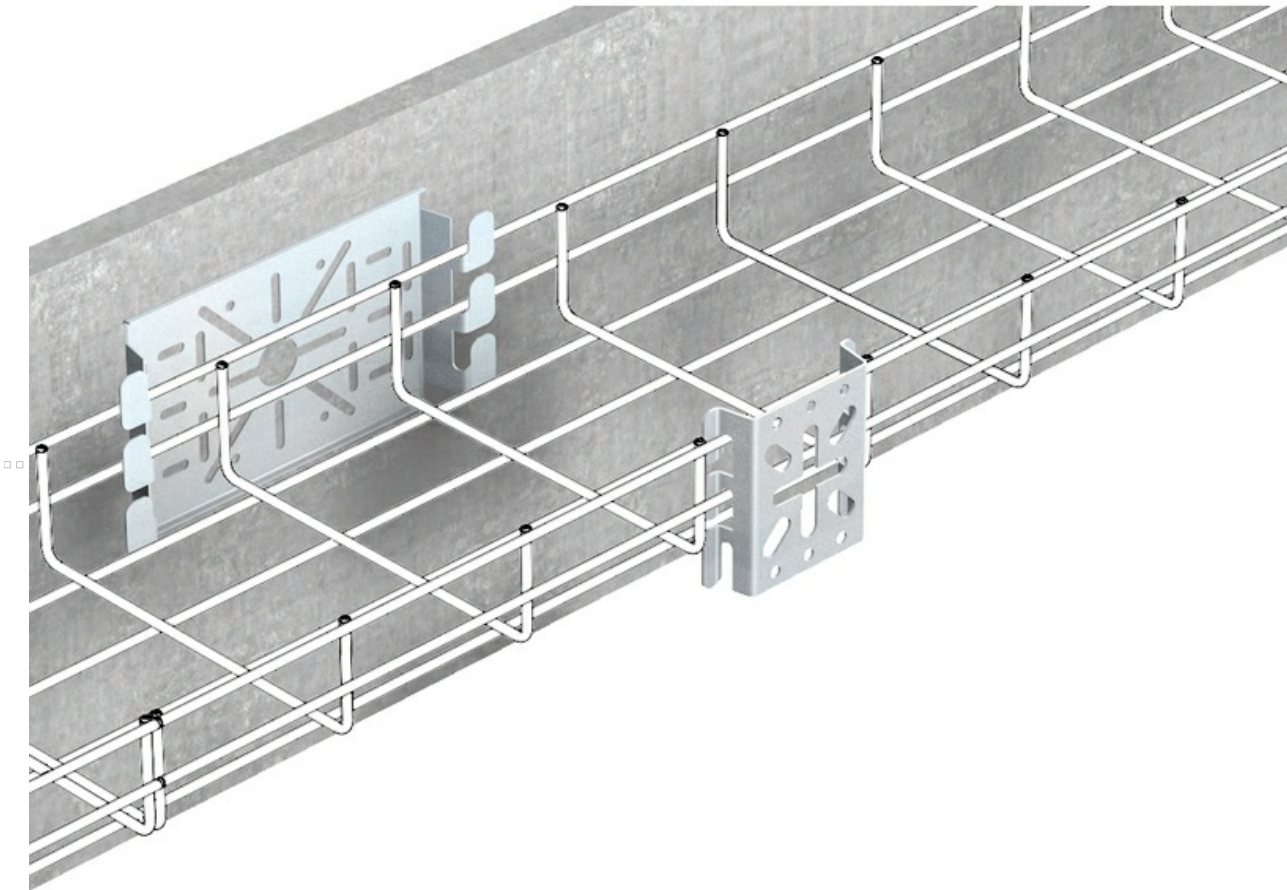
- CU - Copper electroplated
- PG - Pregalvanised
- EZ - Electrogalvanised
- BC - Electrogalvanised Bichromate
- BK8 - High Resistance Coating
- GC - Hot Dip Galvanising
- INOX - Stainless Steel
- PT - Polyester Paint
- AL - Aluminum
- LN - Brass or Nickel-plated brass

**Ⓜ Insulating materials**

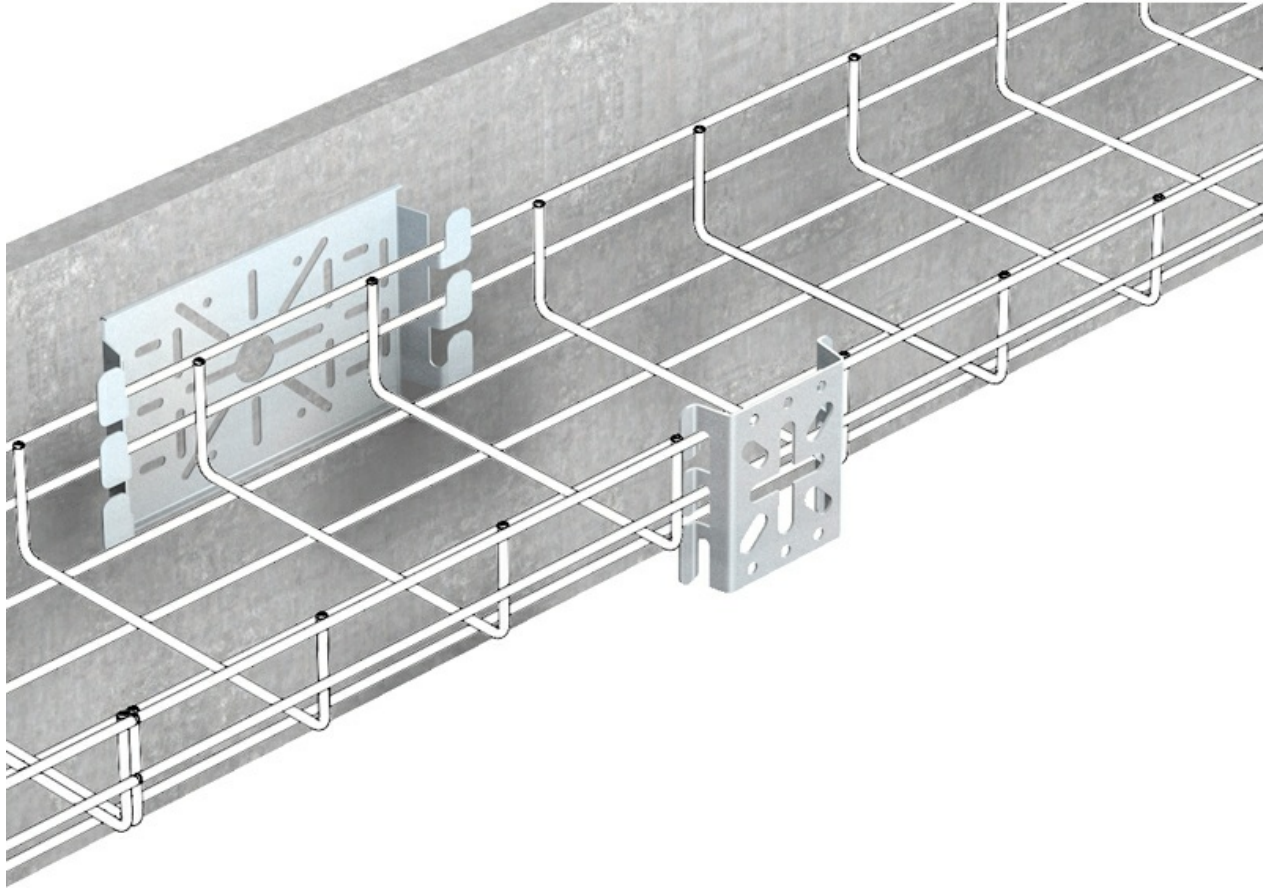
- PC+ABS - Halogen Free Polycarbonate + ABS
- PVC - Polyvinyl Chloride
- PP - Halogen Free Polypropylene
- PA6 - Halogen Free Polyamide 6
- PA12 - Halogen Free Polyamide 12
- PU - Polyurethane
- PE - Polyethylene
- NBR - NBR rubber
- PET - Thermoplastic Polyester
- TPV - Thermoplastic



**Product applications**



**Mini Universal Bracket** (Ref: 62026010)



□□□□

