

GigaDuct - Fibre Raceway System

Horizontal Reducer T-Junctions

Horizontal reducer T-Junctions are used to branch off from the larger main horizontal GigaDuct routing to smaller horizontal routing. Supplied with or without covers.

Features and Benefits:

- Supplied with or without covers
- Allows for horizontal T-Junction transition from larger to smaller straight GigaDuct.
- Segregates fibre optic cable from other media to provide flexibility for future additions or changes
- Fully encloses cables to keep out dirt and dust as the fibre is routed through different areas of the data centre
- Protects cables by maintaining proper bend radius, preventing micro bends and macro bends that degrade performance
- Maintains attractive aesthetics by enclosing cables throughout the facility

Technical Specifications:

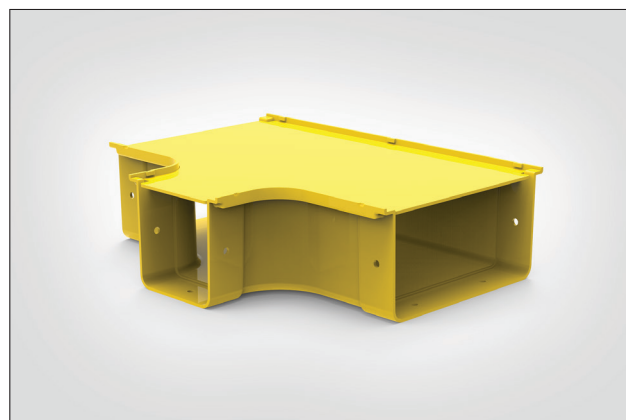
Product Type: T-Junction

Colour: Yellow

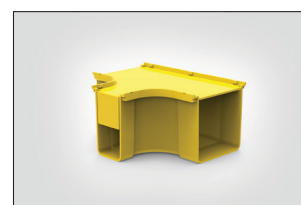
Material: Halogen-free

Material Standards:

- EN 61249-2-21, IEC 61249-2-21: Non-halogenated Material
- EN 60695-11-10, IEC 60695-11-10: Fire hazard testing
- UL94/V0 plastic flame-retardant
- Directive 2015/65/EU RoHS Compliant
- EC 1907/2006 REACH Compliant
- Suitable for riser and general-purpose applications



200mm to 100mm Horizontal reducer T-Junction.



100mm to 50mm Horizontal reducer T-Junction.

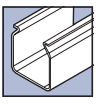


Performance Standards:

- EN 62368-1, IEC 62368-1: Safety Standard
- ANSI/TIA-942-B, Telecommunications Infrastructure Standard for Data Centres
- ANSI/TIA-569-B, Commercial Building Standard for Telecommunications Pathways and Spaces
- ANSI/UL 2024, Cable Routing Assemblies and Communications Raceways
- CAN/ULC-S143, Standard Method of Fire Tests for Non-Metallic Electrical and Optical Fibre Cable Raceway Systems
- NFPA 70 National Electrical Code (NEC)
- CSA C22.1 Canadian Electrical Code Part 1

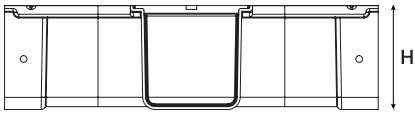
PART CODE	Cover	DUCT SIZE		Width (W)	Height (H)	Length (L)	UNS
		MAIN	REDUCER				
LG-TNCDHX-YL	Yes	100	50	240	103	194	181-00342
LG-TNBCHX-YL	Yes	200	100	392	109	304	855-05073
LG-TNCDHX-YL-N	No	100	50	240	103	194	855-05074
LG-TNBCHX-YL-N	No	200	100	392	109	304	855-05075

All measurements are in mm unless otherwise stated.



Technical Diagrams:

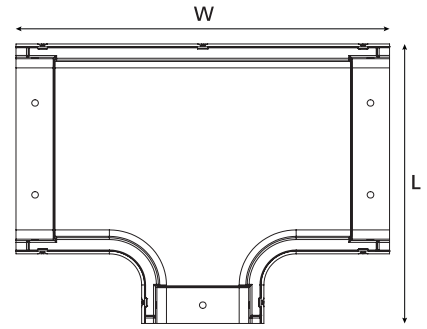
Horizontal T-Junction Reducer 200mm to 100mm



Front View

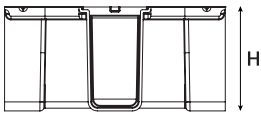


Side View

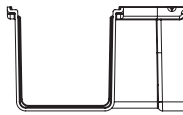


Top View

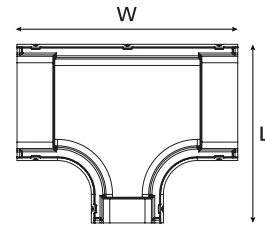
Horizontal T-Junction Reducer 100mm to 50mm



Front View



Side View



Top View