

## GigaDuct - Fibre Raceway System

### Horizontal T-Junctions

#### Application/Product Description

Horizontal T-Junctions are used to branch off from the main horizontal GigaDuct routes to equivalent size routing. Supplied with or without covers.

#### Features and Benefits:

- Supplied with or without cover
- Creates a T-Junction within horizontal routes
- Segregates fibre optic cable from other media to provide flexibility for future additions or changes
- Fully encloses cables to keep out dirt and dust as the fibre is routed through different areas of the data centre
- Protects cables by maintaining proper bend radius, preventing micro bends and macro bends that degrade performance
- Maintains attractive aesthetics by enclosing cables throughout the facility

#### Technical Specifications:

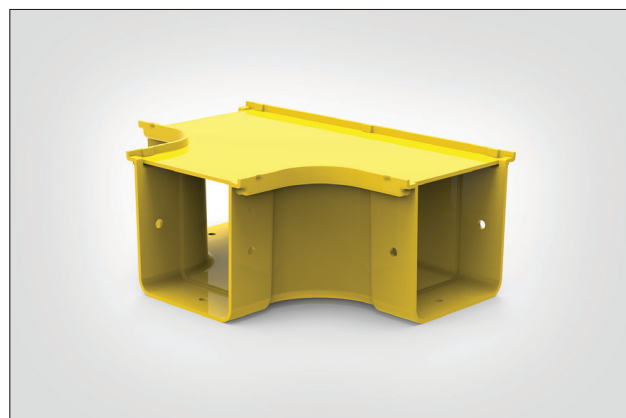
**Product Type:** T-Junction

**Colour:** Yellow

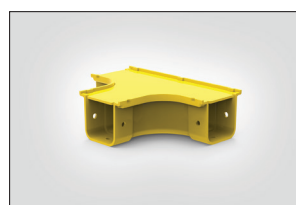
**Material:** Halogen-free

#### Material Standards:

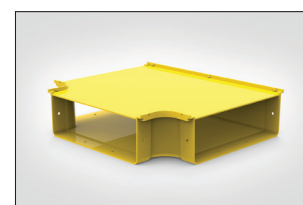
- EN 61249-2-21, IEC 61249-2-21: Non-halogenated Material
- EN 60695-11-10, IEC 60695-11-10: Fire hazard testing
- UL94/V0 plastic flame-retardant
- Directive 2015/65/EU RoHS Compliant
- EC 1907/2006 REACH Compliant
- Suitable for riser and general-purpose applications



100x100mm Horizontal T-Junction.



50x50mm Horizontal T-Junction.



300x300mm Horizontal T-Junction.

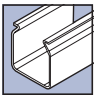


#### Performance Standards:

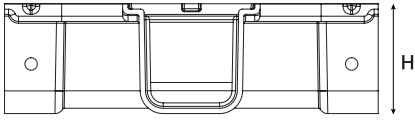
- EN 62368-1, IEC 62368-1: Safety Standard
- ANSI/TIA-942-B, Telecommunications Infrastructure Standard for Data Centres
- ANSI/TIA-569-B, Commercial Building Standard for Telecommunications Pathways and Spaces
- ANSI/UL 2024, Cable Routing Assemblies and Communications Raceways
- CAN/ULC-S143, Standard Method of Fire Tests for Non-Metallic Electrical and Optical Fibre Cable Raceway Systems
- NFPA 70 National Electrical Code (NEC)
- CSA C22.1 Canadian Electrical Code Part 1

PART CODE	Cover	DUCT SIZE	Width (W)	Height (H)	Length (L)	UNS
LG-TEDHXX-YL	Yes	50	211	62	154	181-00336
LG-TECHXX-YL	Yes	100	298	119	209	181-00337
LG-TEBHXX-YL	Yes	200	390	110	328	181-00338
LG-TEAHXX-YL	Yes	300	482	115	406	181-00339
LG-TEDHXX-YL-N	No	50	211	62	154	855-05069
LG-TECHXX-YL-N	No	100	298	119	209	855-05070
LG-TEBHXX-YL-N	No	200	390	110	328	855-05071
LG-TEAHXX-YL-N	No	300	482	115	406	855-05072

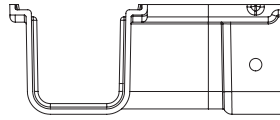
All measurements are in mm unless otherwise stated.



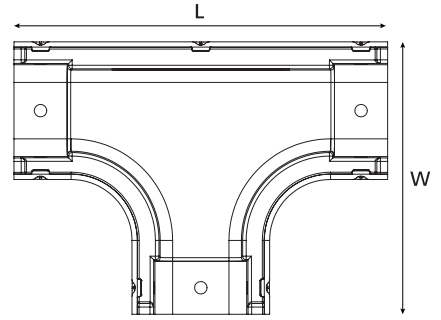
Technical Diagrams:



Front View



Side View



Top View