

### U/UTP Stranded

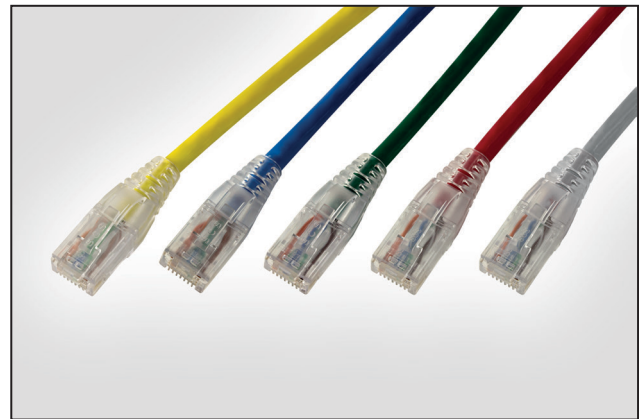
#### Patch Leads

#### Application/Product Description

HellermannTyton Category 6 unshielded patch leads are designed and tested to support Primary (Campus), Secondary (Riser) and Tertiary (Horizontal) applications for 10Base-T (Ethernet), 100Base-T (Fast Ethernet), 1000Base-T (Gigabit Ethernet), PoE and PoE+.

When used with HellermannTyton Category 6 unshielded cables, patch panels and outlets the combined performance exceeds Category 6/Class E link and channel requirements.

The patch leads are supplied standard 1m, 2m, 3m, 5m lengths in blue, green, grey, red and yellow, other lengths and colours are available on request.



RJ45NGB Cat6 LS0H U/UTP Patch Leads in various colours.

#### Technical Data

| Electrical Characteristics @ 20°C      | Specification |
|--|---------------|
| DC Loop Resistance                     | 140Ω/km       |
| Resistance Unbalance                   | 5%            |
| Insulation Resistance                  | 5000MΩ/km     |
| Capacitance Unbalance (pair to ground) | ≤330pF/100m   |
| Delay Skew                             | 45ns/100m     |
| NVP (Nominal Velocity of Propagation)  | 65%           |



RJ45NGB in grey.

#### Cable Standards

##### Cable

- ISO 11801:2002 (inc. Amend. A1 & A2)
- ANSI/TIA/EIA 568-C.2
- IEC 61156-6

##### Cable Sheath

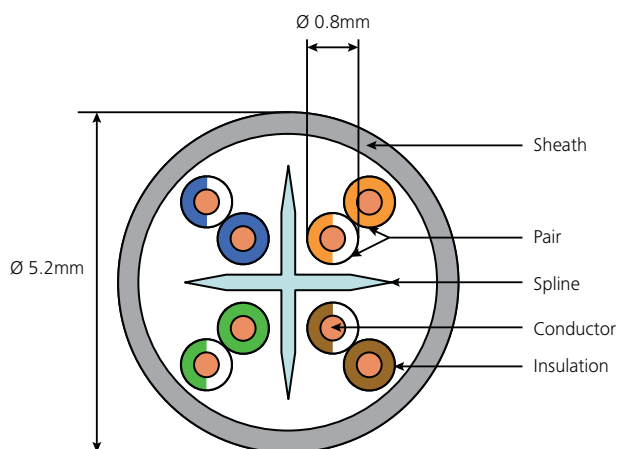
- IEC 60332-1

#### Performance Characteristics

| Frequency (MHz)  |         | 1    | 100  | 250  |
|------------------|---------|------|------|------|
| NEXT (dB)        | Spec    | 65.0 | 46.4 | 38.8 |
|                  | Typical | 95.9 | 59.4 | 49.5 |
| Return Loss (dB) | Spec    | 19.8 | 18.0 | 14.0 |
|                  | Typical | 38.5 | 27.6 | 28.1 |

\*Typical values based on a 2m patch lead.

## Cable Construction



| Product Performance                 |  |
|-------------------------------------|--|
| <b>Core</b>                         |  |
| Core Conductor:                     | 26 AWG Stranded Copper Wire  |
| Conductor Diameter:                 | 0.16±0.02mm  |
| Insulation:                         | HDPE   |
| Insulation Diameter:                | 0.80±0.05mm  |
| Twisting:                           | 2 cores to the pair  |
| Pair Colour:                        | Blue-White/Blue, Orange-White/Orange, Green-White/Green, Brown-White/Brown |
| <b>Final Assembly</b>               |  |
| Cable                               | 4 pairs to the core  |
| Sheath                              | LSOH Blue, Green, Grey, Red, Yellow  |
| Outer Diameter                      | 5.2mm ± 0.3mm  |
| <b>Mechanical and Environmental</b> |  |
| Temp. Operation                     | -20°C to +75°C   |
| Min. Bend Radius                    |  |
| During Installation:                | 8 x outer diameter   |
| During Operation:                   | 12 x outer diameter  |
| Max. Tensile Force:                 |  |
| During Installation                 | 110N   |
| Packaged Weight                     | 42kg/km  |