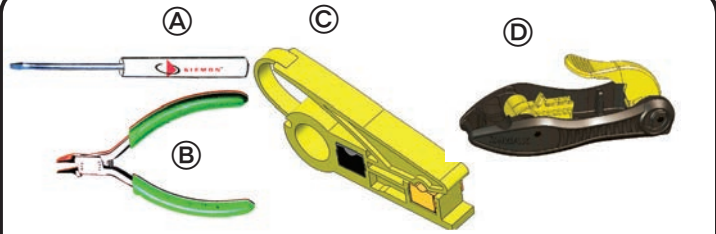
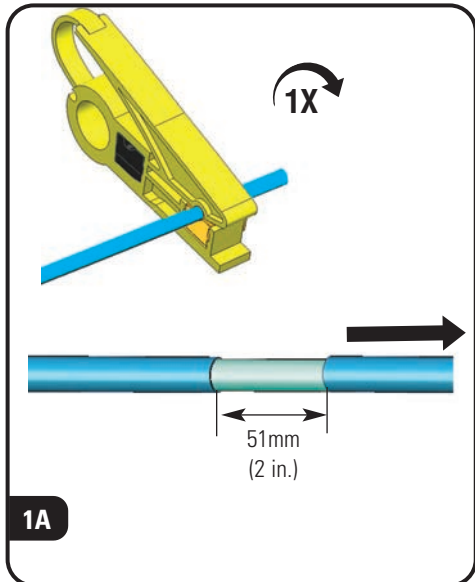


Shielded Z-MAX® Outlet Installation Instructions

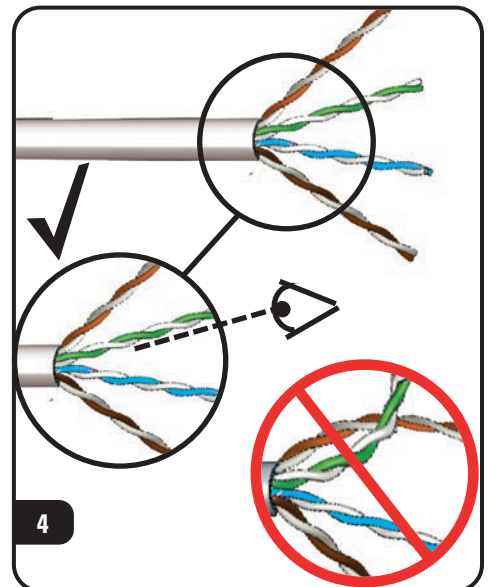
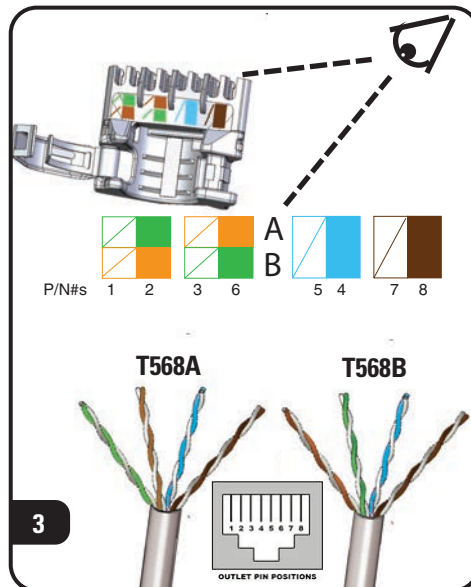
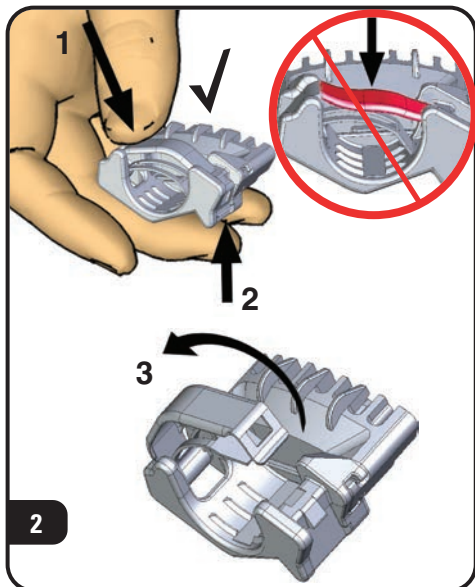
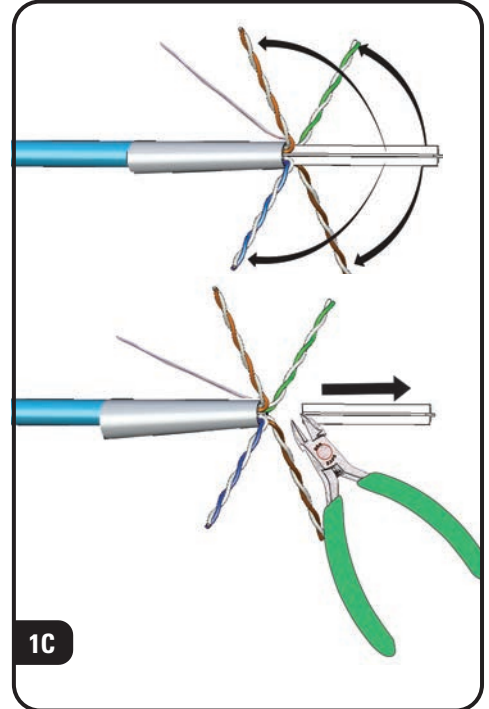
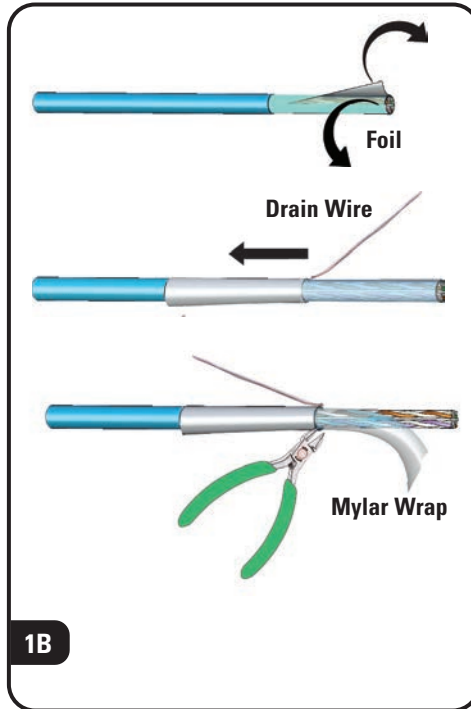


Tools Required

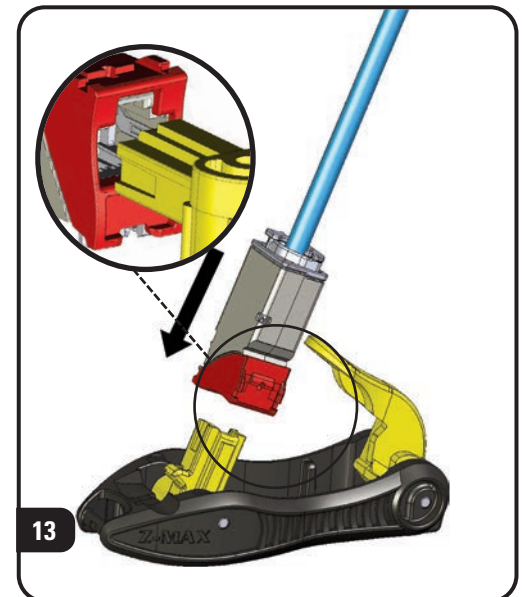
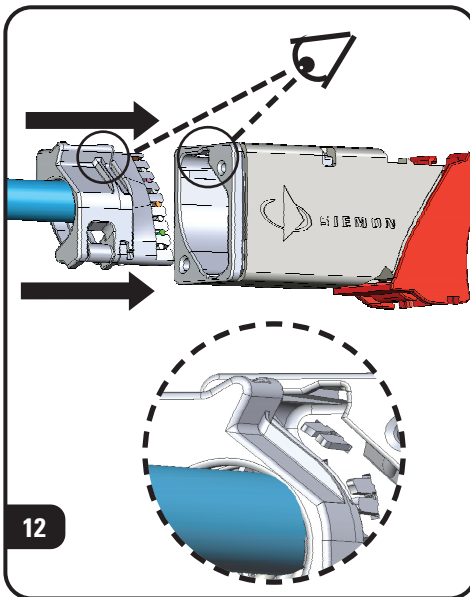
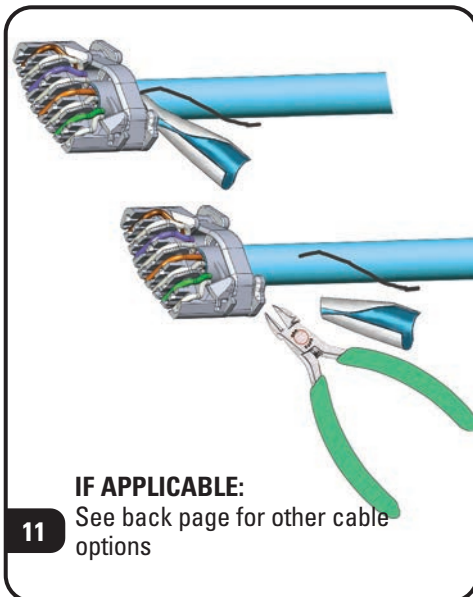
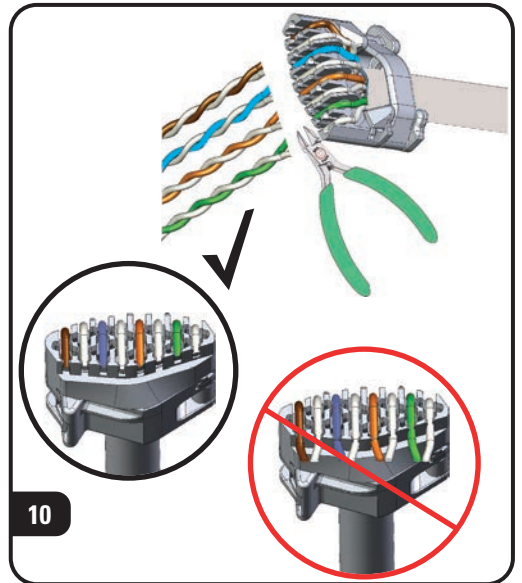
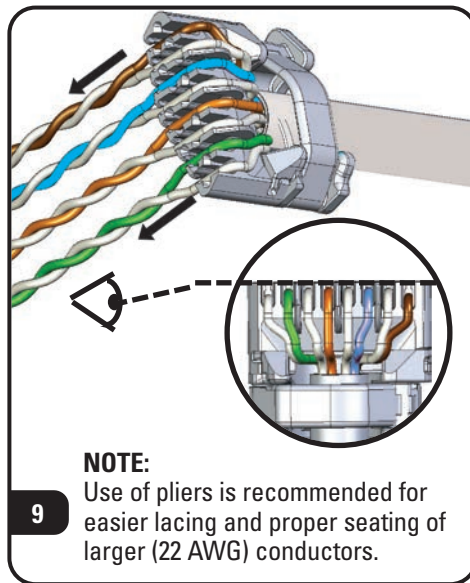
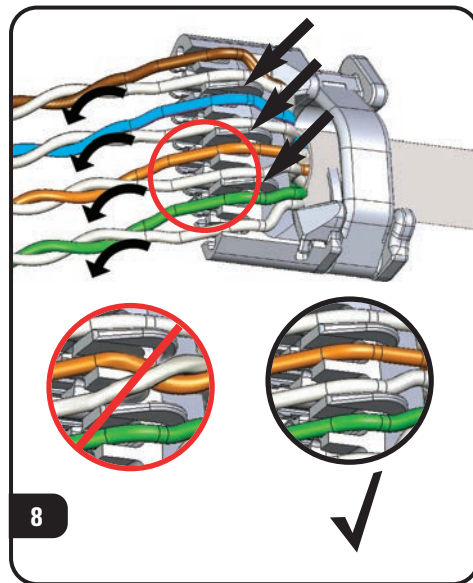
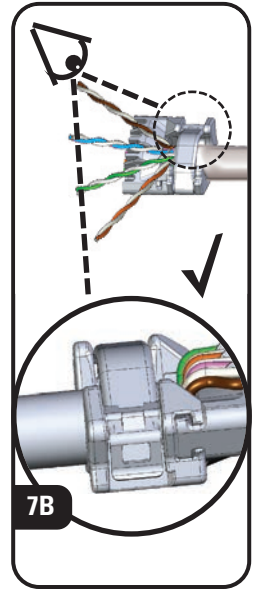
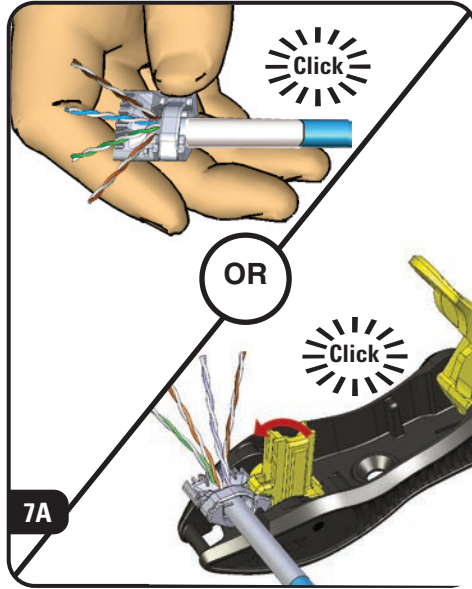
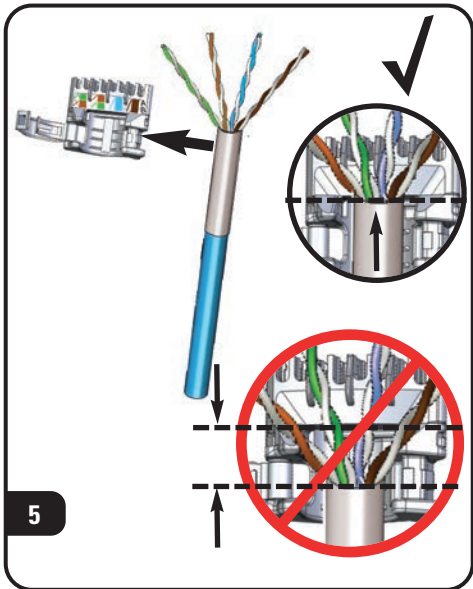
- Ⓐ Small Flathead Screwdriver
- Ⓑ Diagonal Cutter (CI-CUTTER)
- Ⓒ Jacket Prep Tool (CPT-RGTP)
- Ⓓ Termination Tool (Z-TOOL)
- Ⓔ Permanent Marker



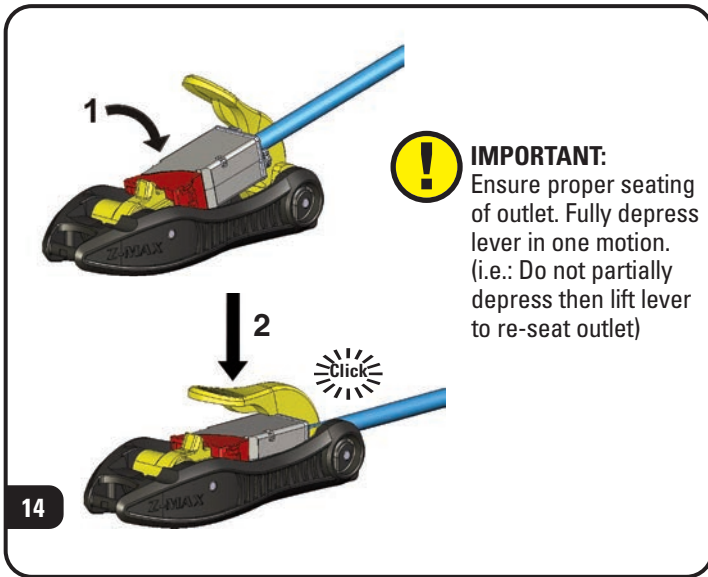
! Category 6A Solid F/UTP Shown - See back page for additional cable options



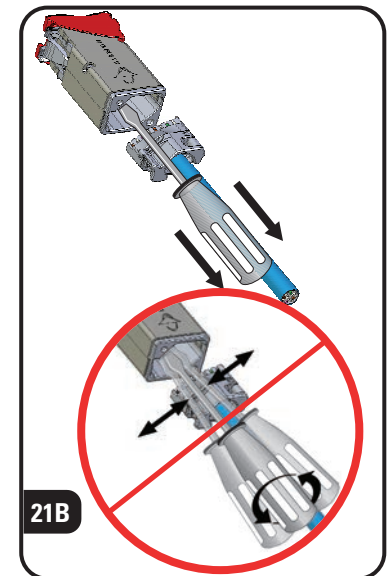
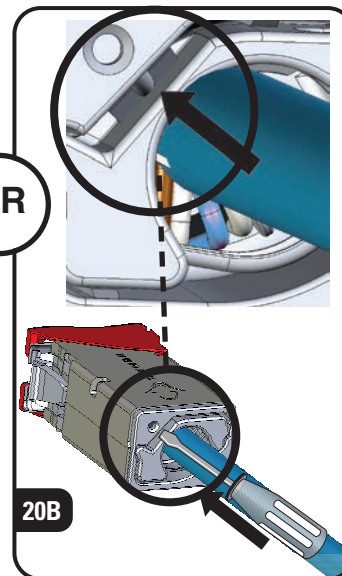
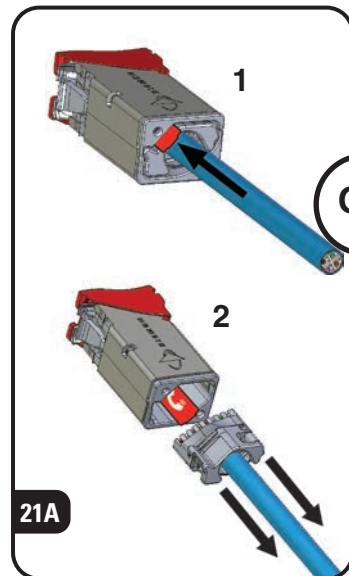
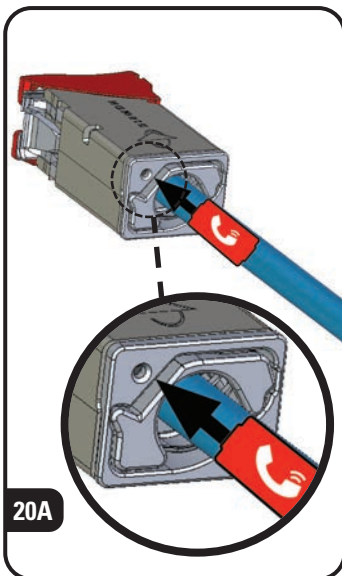
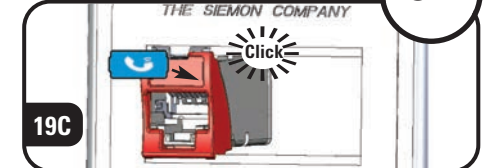
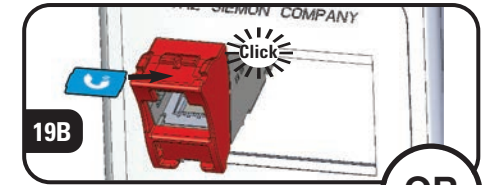
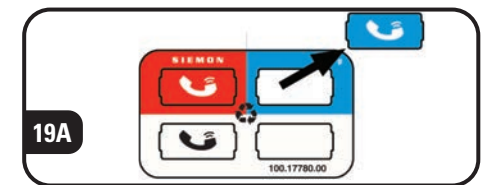
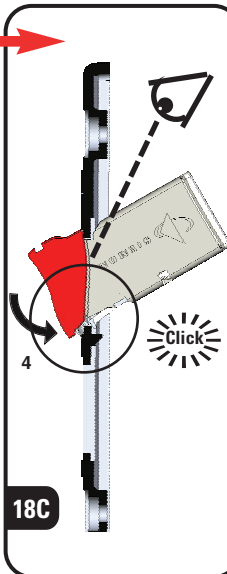
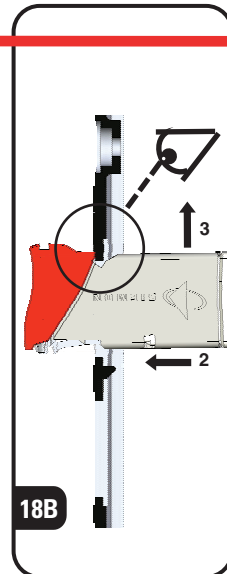
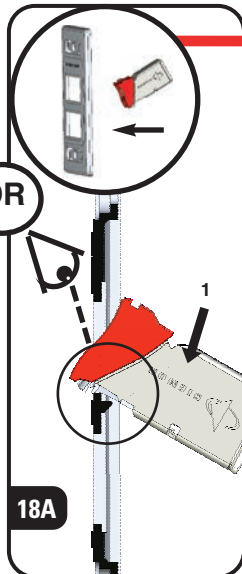
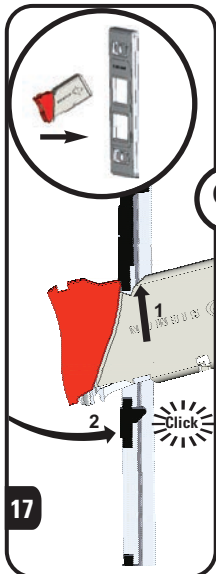
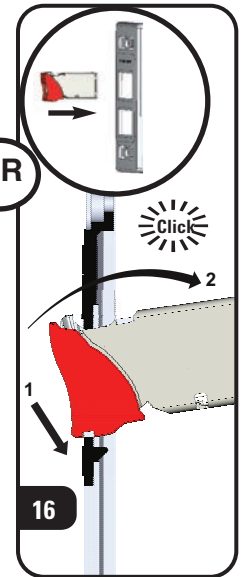
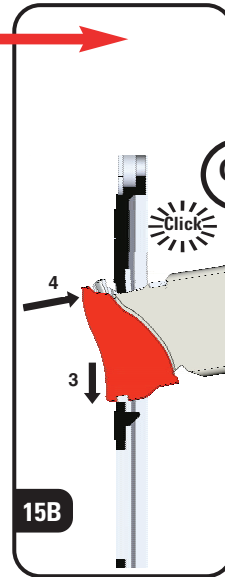
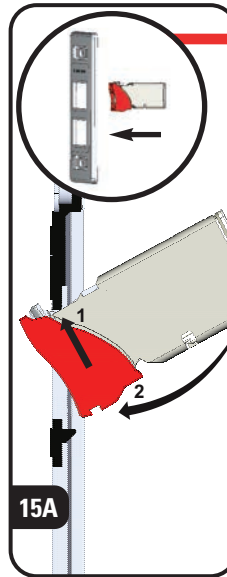
Shielded Z-MAX® Outlet Installation Instructions



Shielded Z-MAX® Outlet Installation Instructions



! IMPORTANT: Ensure proper seating of outlet. Fully depress lever in one motion. (i.e.: Do not partially depress then lift lever to re-seat outlet)

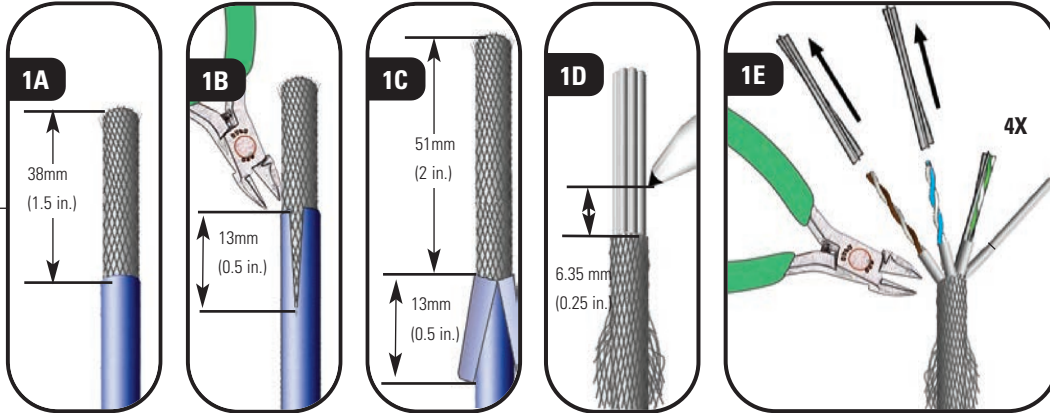


! NOTE (steps 20-21): Reterminations are not recommended with 22 AWG shielded cables.

Shielded Z-MAX® Outlet Installation Instructions

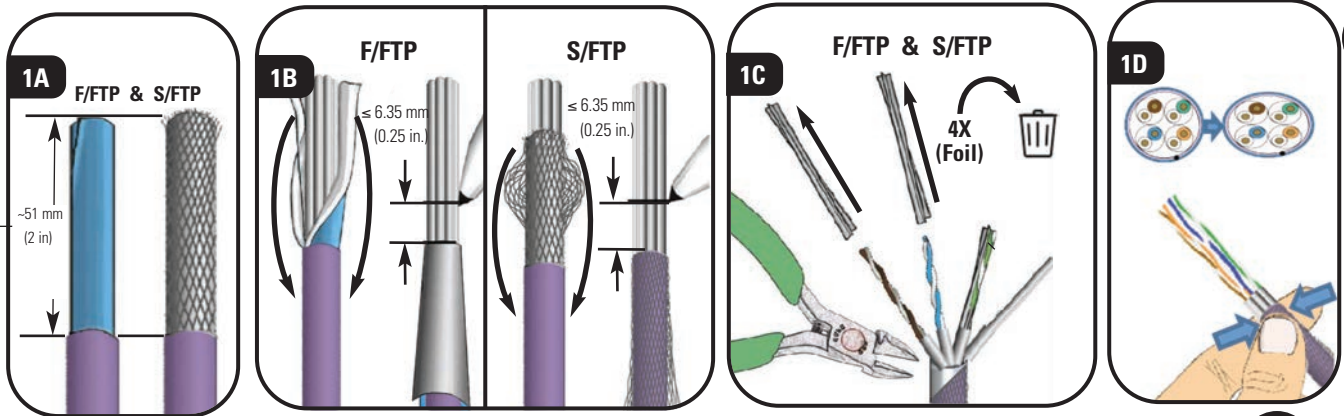
Alternate Step 1. cable prep for other cable types

S/FTP
Stranded



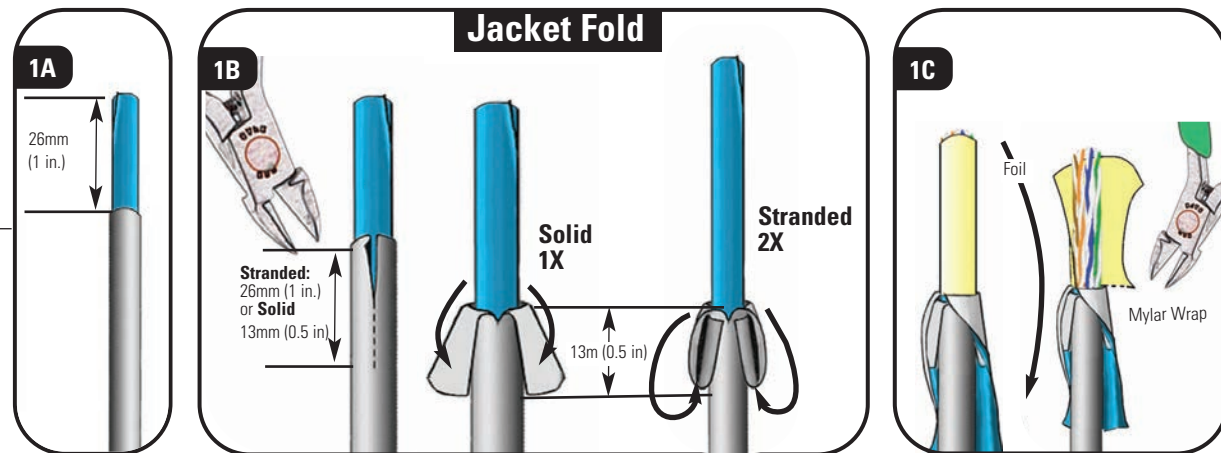
! Go To Step 2

S/FTP Solid and
F/FTP Solid



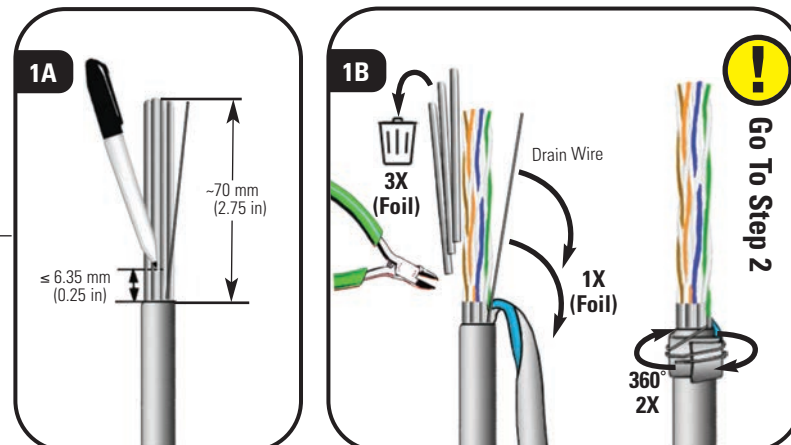
! Go To Step 2

F/UTP (5e)
Stranded
& Solid



! Go To Step 2

U/FTP Solid



! Go To Step 2

To assist safe installations, comply with the following:

- A. Use caution when installing or modifying telecommunications circuits.
- B. Never touch uninsulated wire terminals unless the circuit has been disconnected.
- C. Never install this device in a wet location.
- D. Never install wiring during a lightning storm.

Lors de l'installation, respectez les consignes de sécurité suivantes:

- A. Utiliser avec prudence lors de l'installation ou de la modification circuits de télécommunications.
- B. Ne jamais toucher les bornes de fil métallique non isolés sauf si le circuit a été débranché.
- C. Ne jamais installer cet appareil dans un endroit humide.
- D. Ne jamais installer pendant un orage.

To ensure you have the latest revision to this document, please visit: <http://www.siemon.com/us>

NOTE FOR OSP CABLE PREP: See supplement Shielded Z-MAX instructions online. Visit www.siemon.com/us/download/installation.aspx and click on **WORK AREA**.