

## Mechanical Sealing Multi-Function Fibre Access Box



The FAB Fibre Access Box can be used:

1. For Splicing; can splice up to 60 fibre cores.
2. For Patching; can support up to 16 pieces of drop cables for 16 subscribers.
3. As per-terminated; can support 8/12pcs of waterproof SC adapters for 8/12 subscribers.

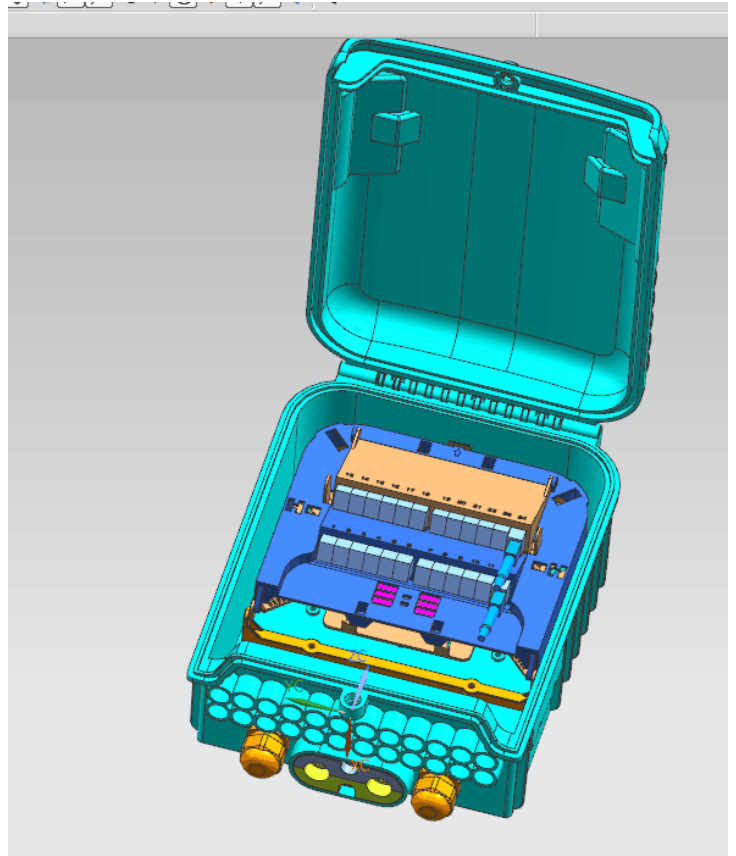
FAB can also support various types of fibre cables, both outdoor and indoor, 2\*3mm drop cable, max. 15mm feeder cable, 5mm or 2\*3mm per-terminated cable. For some emergency situation, by replacing the components inside, FAB can be used for 2 applications.

**Features:**

- Dis-mountable adaptor panel
- Support midspan termination
- Easy operation and installation
- Rotatable and dis-mountable splice tray for easy splicing
- IP65 sealing
- Supporting Blockless PLC Splitters or Insertion Module PLC Splitters
- | Supporting various application by replacing components inside

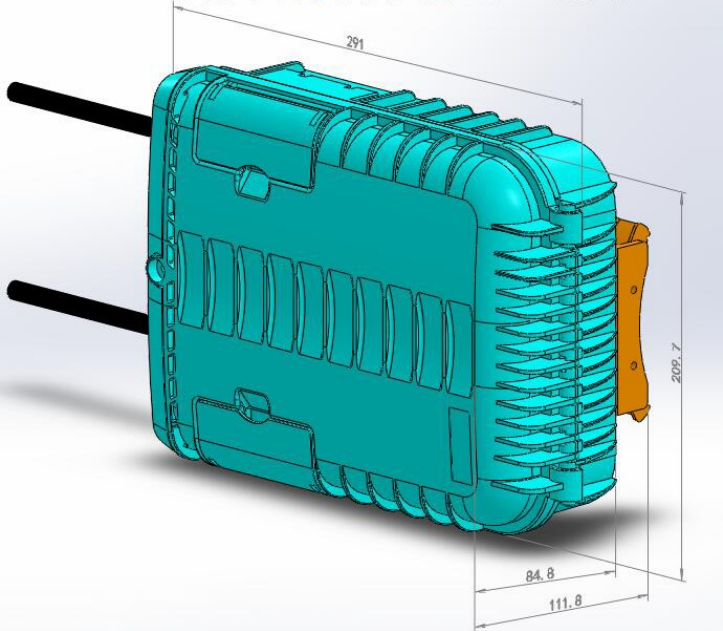
**Applications:**

- Wall mounting & pole mounting installation
- Suitable for 2\*3mm FTTH Drop Cable, Outdoor 2\*5mm Figure 8 FTTH Drop Cable, 2\*3mm, 2\*5mm, & 5mm Pre-terminated Drop Cable

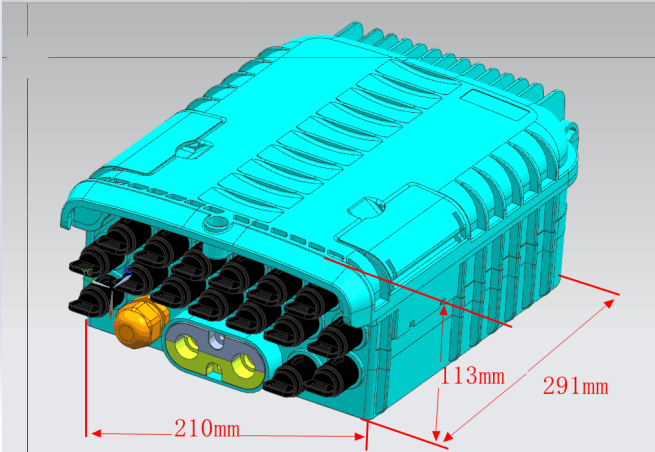


**Detailed Information**

**Box Size options:**



**Standard height size: 210\*291\*85 mm**


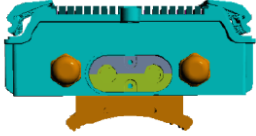
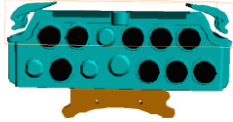
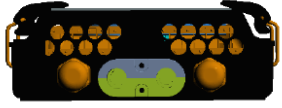
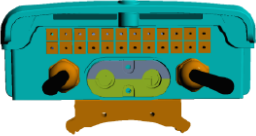
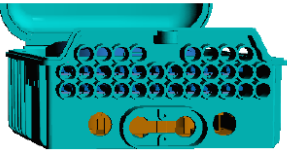
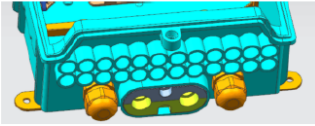
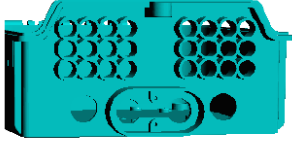
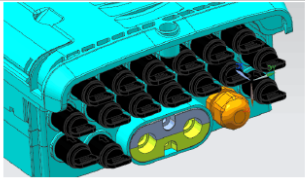


**Bigger height size: 210\*291\*113 mm**

### Inside Structure Options

Standard height base box options:			
A1: LGX Splitter cassette (2 pcs 1x8 LGX splitter)	A2: Splice tray (max 5 pcs 12F splice tray)	A3 : Rotary adaptor rack,16F adaptors)	A4: Vertical adapter panel (16F adaptors)
A5: Rotary adaptor rack,24F adaptors)	A6: Vertical adapter panel(24F adaptor)	A7: Vertical adapter panel(32F adaptor)	A8: Splice tray side swing (max 2 pcs 12F splice tray)
Bigger height base box options:			
A1H: LGX Splitter cassette (3 pcs 1x8 LGX splitter)	AH2: Rotary adaptor rack,24F adaptors)	AH3: Rotary adaptor rack,32F adaptors)	

**Cable Ports Options:**

Standard height base cable ports:			
			
D1: 8F Pre-terminated	D2:16F Rubber clamp	D3: 12F Pre-terminated ports	D4: 16F round output ports
			
D5: 24F round output ports			
Bigger height base cable ports:			
			
DH1: 32F round ports	DH2: 2x12=24F round ports	DH3:3x8=24F round ports	DH4: 16F pre-terminated connector ports

Combination samples:

			
<p>FAB-A3-D2</p>	<p>FAB-A3-D4</p>	<p>FAB-A4-D2</p>	<p>FAB-A4-D4</p>
			
<p>FAB-A1-D2</p>	<p>FAB-A1-D4</p>	<p>FAB-A2-D1</p>	<p>FAB-A2-D3</p>
			
<p>FAB-A5-DH2</p>	<p>FAB-A2-DH4</p>	<p>FAB-A5-D5</p>	<p>FAB-A</p>



### Specification

Model	Inner Structure	Bottom Structure	Adapter	Splitter	Splitter Package	Max. Splice Capacity	Input Ports	Output Ports	Output Cable Size	Dimension (mm)
FAB-A3-D2	A3: inclined adapter panel	D2: rubber clamp	16pcs of SC	1pc of 1*16 or 2pcs of 1*8	blockless	16 fibers	1 oval uncut port and 2 round ports	16 ports	Drop cable 2*3mm, 2*5mm	272*200*84
FAB-A3-D4	A3: inclined adapter panel	D4: rubber grommet	16pcs of SC	1pc of 1*16 or 2pcs of 1*8	blockless	60 fibers (12 fibers/tray)	1 oval uncut port and 2 round ports	16 ports	Drop cable 2*3mm, 2*5mm	272*200*84
FAB-A4-D2	A4: vertical adapter panel	D2: rubber clamp	16pcs of SC	1pc of 1*16 or 2pcs of 1*8	blockless	60 fibers (12 fibers/tray)	1 oval uncut port and 2 round ports	16 ports	Drop cable 2*3mm, 2*5mm	272*200*84
FAB-A4-D4	A4: vertical adapter panel	D4: rubber grommet	16pcs of SC	1pc of 1*16 or 3pcs of 1*8	blockless	60 fibers (12 fibers/tray)	1 oval uncut port and 2 round ports	16 ports	Drop cable 2*3mm, 2*5mm	272*200*84
FAB-A1-D2	A1: For Insertion Splitter	D2: rubber clamp	16pcs of SC	1pc of 1*16 or 2pcs of 1*8	insertion	16 fibers	1 oval uncut port and 2 round ports	16 ports	Drop cable 2*3mm, 2*5mm	272*200*84
FAB-A1-D4	A1: For Insertion Splitter	D4: rubber grommet	16pcs of SC	1pc of 1*16 or 3pcs of 1*8	insertion	16 fibers	1 oval uncut port and 2 round ports	16 ports	Drop cable 2*3mm, 2*5mm	272*200*84

FAB-A2-D1	A2: Splice tray	D1: pre-terminated adapter	8pcs of waterproof SC	1pc of 1*8	blockless	60 fibers (12 fibers/tray)	1 oval uncut port and 2 round ports	8 ports	Drop cable 2*3mm, 2*5mm, round cable 5mm	272*200*84
<b>And more and more combinations!</b>										



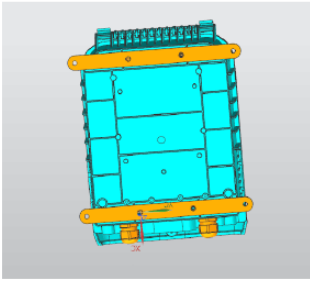

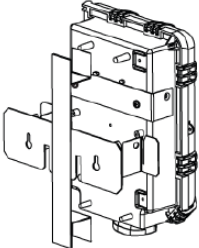
### Standard Accessories



Item	Name	Usage	Quantity
1	Fiber Splice Protective Sleeves	To protect fiber splices	12pcs
2	Hose Clamp	To fix fiber cable	4pcs
3	Cable Tie	To fix buffer tubes with fibers inside	4pcs
4	Screws	To fix the box on wall	4pcs
5	Plastic Expansion Bolt	To fix the box on wall	4pcs



**Optional Accessories:**

Code	Name	Usage	Quantity	Picture
FAB-TR	Splice Tray 12F (with 12 splice sleeves)	Additional splice capacity	1 pcs	
FAB-PR-304-BP	Plastic Backplates and Pole Rings	Pole mounting with any size of pole.	1 pair	
FAB-WA-304	One pair of stainless strip for wall mounting outside box	Wall mounting	1 pair	
FAB-IW-304	One pair of In-wire 304 stainless hook	In-wire mounting	1 pair	
FAB-MS-304	Metal storage Mounting Rack	Pole mounting with storage of drop cable.	1 set	

**Ordering Information: FAB-XX-XX**

<b>XX: Inside Structure: (Options A)</b>	<b>XX: Cable Ports: (Options B)</b>
<p>A1: LGX Splitter cassette (2 pcs 1x8 LGX splitter)            A1H: LGX Splitter cassette (3 pcs 1x8 LGX splitter)            A2: Splice tray (max 5 pcs 12F splice tray)            A3: Rotary adaptor rack, 16F adaptors)            A4: Vertical adapter panel (16F adaptors)            A5: Rotary adaptor rack, 24F adaptors)            A6: Vertical adapter panel (24F adaptor)</p>	<p>D1: 8F Pre-terminated            D2: 16F Rubber clamp            D3: 12F Pre-terminated ports            D4: 16F round output ports            D5: 24F round output ports            DH1: 32F round ports            DH2: 2x12=24F round ports            DH3: 3x8=24F round ports            DH4: 16F pre-terminated connector ports</p>