

Technical Data Sheet

Product Code

MTDQ3

Product Description

Apollo - 3 Compartment square perimeter trunking

Product Dimensions

170 x 50mm Profile

3 Metre Length



Applicable Standards:

BS6701 (Telecommunications equipment and cabling)
ISO/IEC 11801 (ED2.0 Amd 2) (Generic cabling for customers premises)
Cenlec (BSEN50173 Part 1/2, BSEN50174-2) (Generic cabling and installation)
BS4678 Pt 4 (Cable Trunking)
BS7671 (IEE Regulations) (Wiring Regulations)

Product Specification:

Description: 3 compartment, square perimeter trunking
Material Compliance: RoHS & WEEE Compliant
Manufactured: Extruded from Pellets

Material Specification:(if applicable)

Description: A Calcium/Zinc stabilised, medium/
high impact uPVC

PROPERTY	Standard	UNITS	VALUE
Specific Gravity	BS2782 620A	g/cc	1.50
Vicat Softening Point	BS2782 (B50) 1990 120B	°C	78
Tensile Strength @ Yield	BS2782 320A-F	MPa	40

The above are typical test results and do not constitute any part of a specification

Colours:

MTDQ3 - Pure White
MTDQ3LG - Light Grey
MTDQ3CH - Charcoal
MTDQ3LGL - Light Grey centre lid
MTDQ3CHL - Charcoal centre lid

Additional Finishes:

MTDQ3AM - Anti-Microbial

Base:

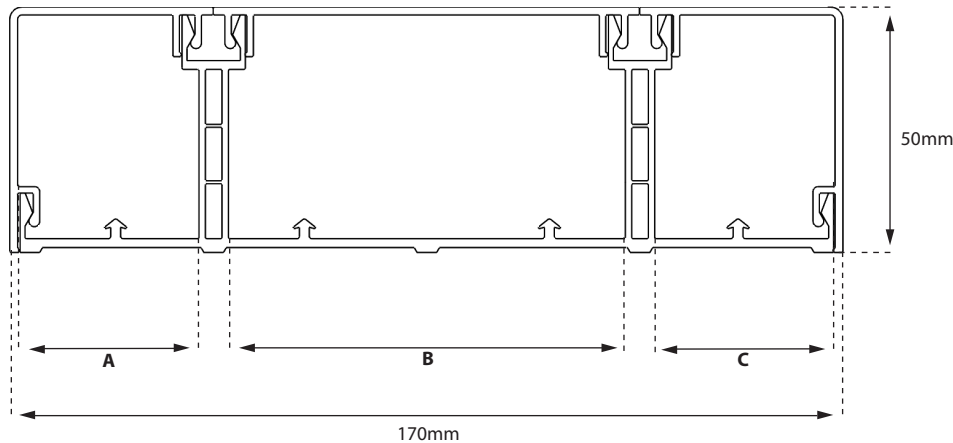
Pre Punched for wall mounting at 200mm intervals

Screening:

MTAS - Slide in steel screening divider top and bottom
MTD105 - Slide in uPVC divider with 4 possible positions

Technical Data Sheet

Dimensions and Cable Capacities



Compartment width in (mm)

A	B	C
37	81	37

Data

DATA CABLE DIAMETER (mm)	NOMINAL CSA (mm ²)	COMPARTMENT A 1470mm ²	COMPARTMENT B			COMPARTMENT C 1595mm ²
			3590mm ²	3590mm ² and 25mm back box (1891mm ²)	3590mm ² and 35mm back box (1170mm ²)	
		45% Fill (661.5mm ²)	45% Fill (1615.5mm ²)	45% Fill (851mm ²)	45% Fill (526mm ²)	45% Fill (716mm ²)
5	19.6	36	82	43	26	36
5.5	23.8	30	67	35	22	30
6	28.3	25	57	30	18	25
6.5	33.2	21	48	25	15	21
7	38.5	18	41	22	13	18

Power

POWER CABLE CONDUCTOR CSA(mm ²)	CABLE FACTOR	COMPARTMENT A 1595mm ²	COMPARTMENT B			COMPARTMENT C 1595mm ²
			3590mm ²	3590mm ² and 25mm back box (1891mm ²)	3590mm ² and 35mm back box (1170mm ²)	
		45% Fill (716mm ²)	45% Fill (1615.5mm ²)	45% Fill (851mm ²)	45% Fill (526mm ²)	45% Fill (716mm ²)
1.5	8.6	83	187	98	61	83
2.5	12.6	55	126	67	41	55
4	16.6	43	97	51	31	43
6	21.2	33	76	40	25	33