

360 Series Slimline 19 inch Wall Box

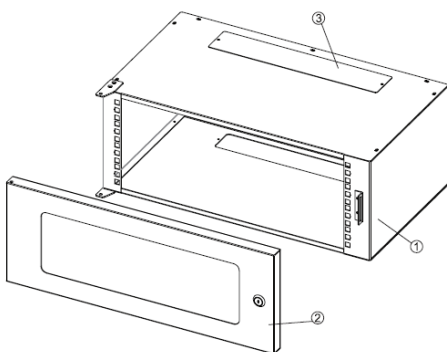


360 Series Wall Boxes are designed to house standard copper and fibre patch cords, 19" patch panels or power distribution units (PDU).

With an extra deep door to accommodate equipment patch cords. These racks are ideally suited for installations where you have limited space.

Lockable tempered glass door that opens 180 degrees offering good access to equipment.

- **Extra 63mm depth on the front door helps maintain bend radius on cables**
- **Removable plates top and bottom for cable entry or mounting cable glands**
- **Rack comes complete with cage nuts and screws**
- **Totally enclosed for extra security on site**
- **4 wall fixings included**
- **Working depth 300mm**



S/N	Name	Quantity
1	Frame	1
2	Front door	1
3	Cable entry	2

Part Number	Height	Width	Depth
3U360WB	183mm	540mm	360mm
4U360WB	227mm	540mm	360mm
6U360WB	316mm	540mm	360mm