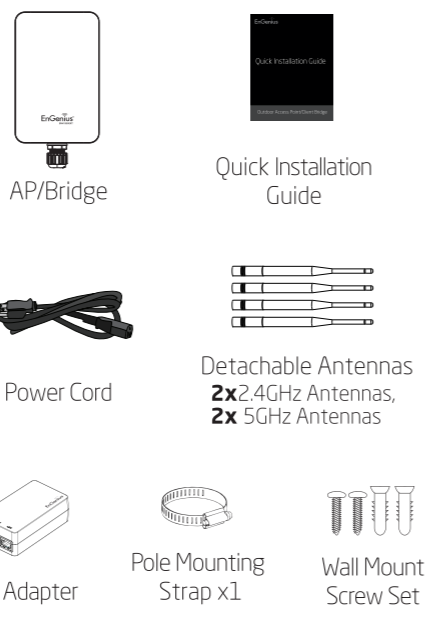


Package Contents



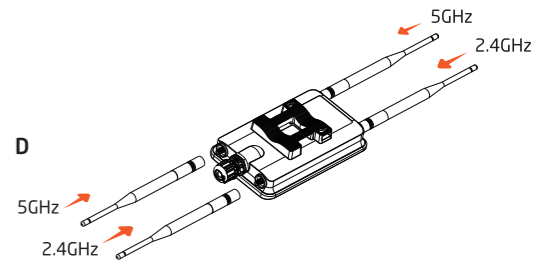
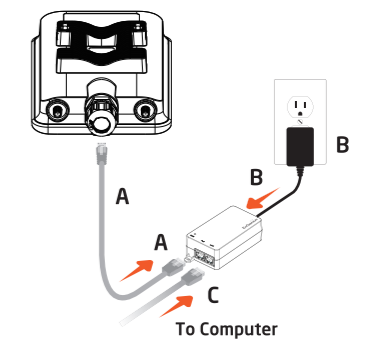
Minimum Requirements

- + Broadband Internet Service (Cable or DSL Modem)
- + Internet Browser (Internet Explorer, Safari, Firefox, Chrome, Edge)

1 Connecting the AP/Bridge

- Connect one end of the Ethernet cable into the LAN(PoE) port of the AP/Bridge and the other end to the PoE Port on the PoE Adapter.
- Connect the Power cord with the PoE Adapter and plug the other end into an electrical outlet.
- Connect the second Ethernet cable into the LAN port of the PoE Adapter and the other end to the Ethernet Port on the computer.
- Screw on the provided antennas to the top of devices.

Note: The AP/Bridge should ONLY be powered via Ethernet cable connected to the included PoE Adapter.



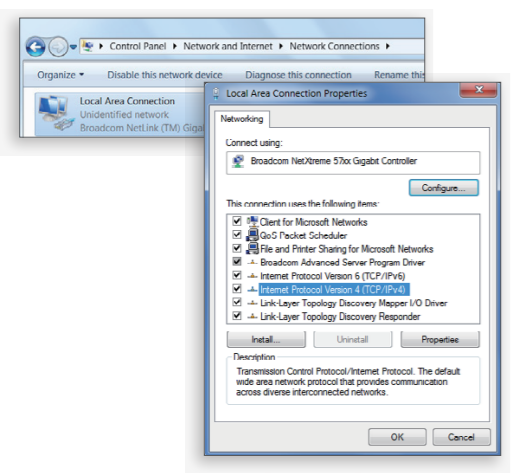
Quick Installation Guide

ENH1350EXT
Version 1.0

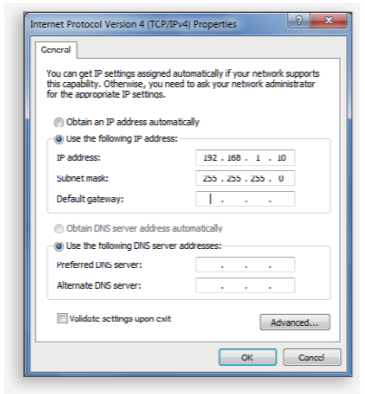
Outdoor Access Point/Client Bridge

2 IP Address Configuration

- Once your computer is on, ensure that your TCP/IP is set to **On** or **Enabled**. Open **Network Connections** and then click **Local Area Connection**. Select **Internet Protocol Version 4 (TCP/IPv4)**.

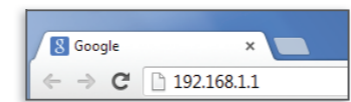


- If your computer is already on a network, ensure that you have set it to a Static IP Address on the interface. (Example: 192.168.1.10 and the Subnet Mask address as 255.255.255.0.)

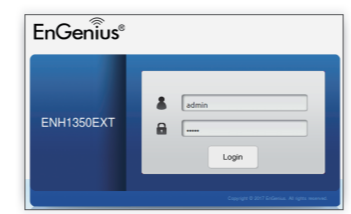


3 AP/Bridge Setup

- To configure the AP/Bridge, open a web browser. In the address bar of web browser, enter **192.168.1.1** and hit enter.



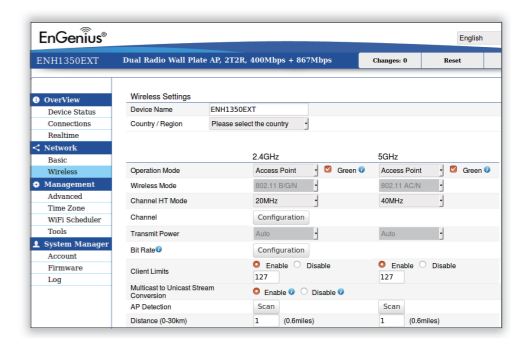
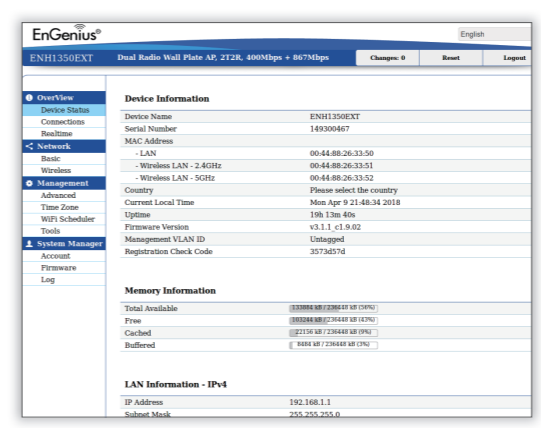
- A login screen will appear. By default, the username of the AP/Bridge is **admin** and the password is **admin**. Enter the current username and password of the AP/Bridge and then click **Login**.



4 Switching Modes

- The device can operate in the following modes: Access Point, Client Bridge, WDS AP, WDS Bridge, and WDS Station.

- Click on the **Wireless** link under the **Network** and setup the Operation Mode.

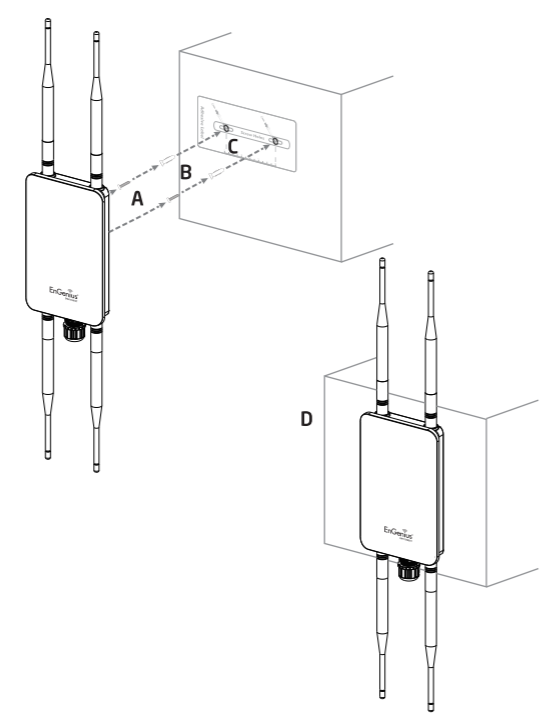


* It may take up to 90 seconds for device to initially power up.

5 Mounting AP/Bridge

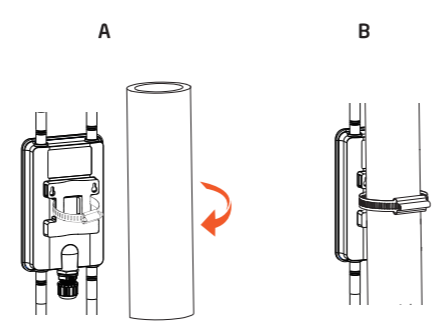
Wall Mounting the Access Point

- Determine where the Access Point to placed and stick the Adhesive label on the surface.
- Use the appropriate drill bit to drill two 8.1mm diameter and 26mm depth holes on the markings of the label.
- Remove the label and Screw the anchors into the holes until they are flush with the wall.
- Screw the included screws into the anchors. Place the Access Point against wall with the mounting screw heads.



Pole Mounting the Access Point

- Thread the open end of the Pole Strap through the two tabs on the Pole Mount Bracket.
- Lock and tighten Pole Strap to secure Pole Mount Bracket to the pole.



Technical Support

Country of Purchase	Service Center	Service Information
North America www.engeniustech.com	Canada	rma@engeniustech.com Toll Free: 888 397 2788 Local: (+1) 905 940 8181
	Los Angeles, USA	support@engeniustech.com Toll Free: 885 735 7888 Local: (+1) 714 432 8668
Europe www.engeniustech.com	Netherlands	support@engeniustech.com Local: (+31) 40 8200 887
Africa / CIS / Middle East www.engeniustech.com	Dubai, UAE	support@engeniustech.com Toll Free: 0600 364 364 87 Local: (+971) 4 357 5599
Asia / Oceania www.engeniustech.com	Singapore	techsupport@engeniustech.com.sg Local: (+65) 6227 1088
Taiwan www.engeniustech.com	Taiwan, R.O.C.	twsupport@engeniustech.com Toll Free: 0600 003 885 Local: (+886) 2 2652 1808

Notes