



ORM 3 FA



Contact:

MICOS TELCOM s.r.o.

Háj 365

798 12 Kralice na Hané, Czech Republic

tel.: +420 582 307 511

E-Mail: telcom@micos.cz; www.micostelcom.com

495196



GB

Technical description:

ORM 3 FA is an outdoor box designed for facades. The in-line solution permits the passage of an outdoor riser cable that runs along the façade. The necessary fibers are pulled out of the cable, as is the case with conventional riser cables inside the building. For drop cables there is a separate bushing for up to 11 cable entries. The box contains fiber management and a splice tray for 12 splices. If necessary, the box can be expanded by an extension frame and additional two trays to increase the splicing capacity to 36.

Type:	ORM 3 FA
Inputs and outputs:	1x oval bushing 2x rubber bushing
Dimensions:	136x136x46mm 136x136x60mm 136x136x83mm
Weight:	0,4kg 0,4kg 0,5kg

Accessories:

Accessory bag 1pc

Declaration on product conformance:

The product was manufactured in compliance with valid technical documentation. An observation of designed technology procedures and material was followed according to the ISO 9001 standard.

Warranty:

The manufacturer guarantees for product imperfections arising within period of warranty due to the demonstrably deficient material, error in design, or deficiencies in manufacture. Such deficiencies shall be repaired by the manufacturer free of charge. The manufacturer is authorized to reject the complaint if the item was demonstrably damaged due to an unqualified infringement, rough manipulation, or by force majeure. The warranty period is 24 months (if not stated otherwise) starting from the date of product consignment to the customer. The warranty covers the product capability and conformance with agreed, or usual purpose.

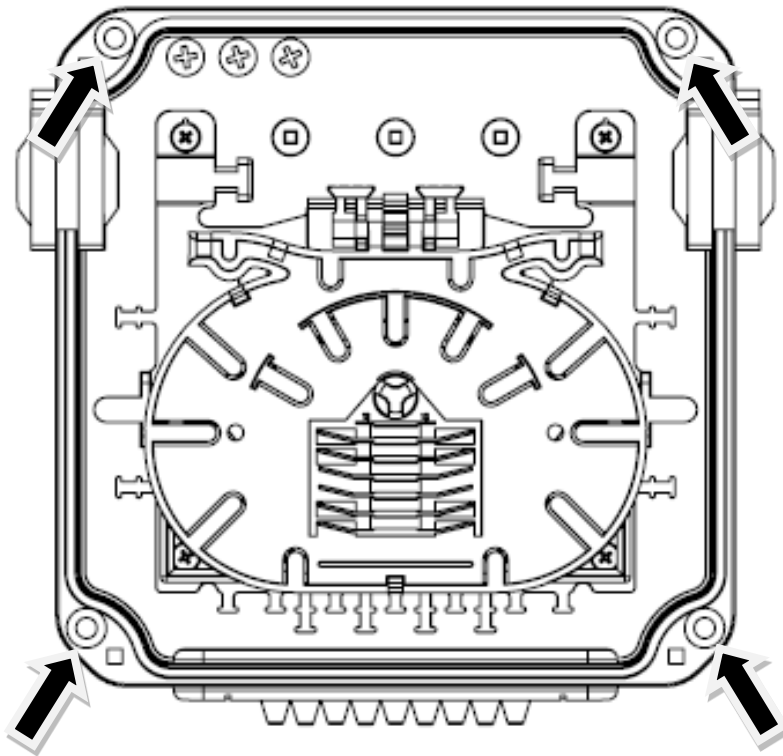
Note:

The product design may vary according to the requirement of the customer. The weight of single product execution may vary. Manufacturer is authorized to develop its products according to the requirements of the customer. Recording of all developing changes in this document is not necessary. Picture is only informative.

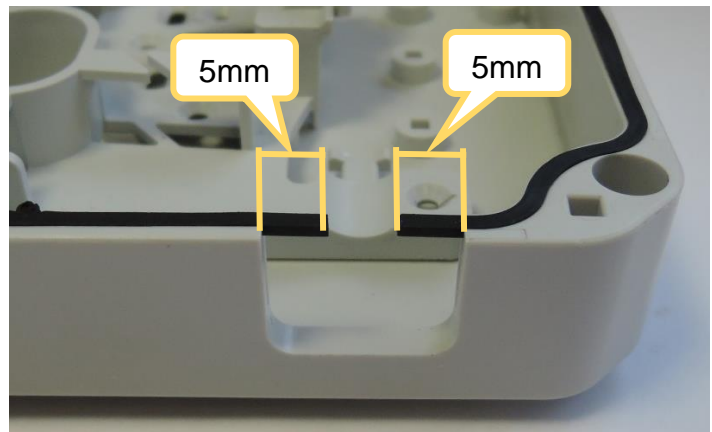
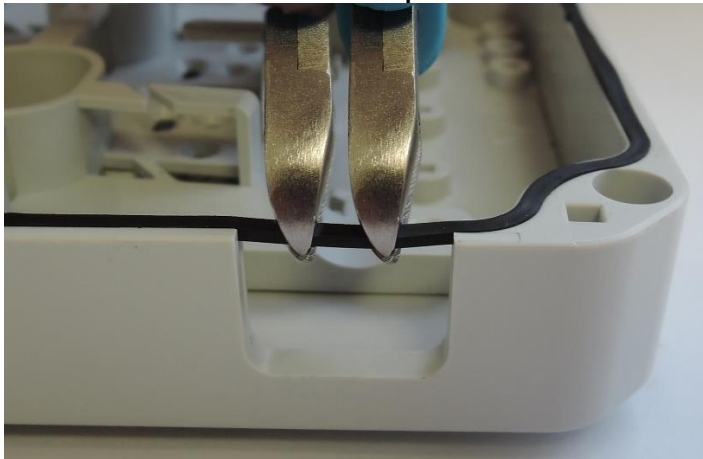


Assembly procedure:

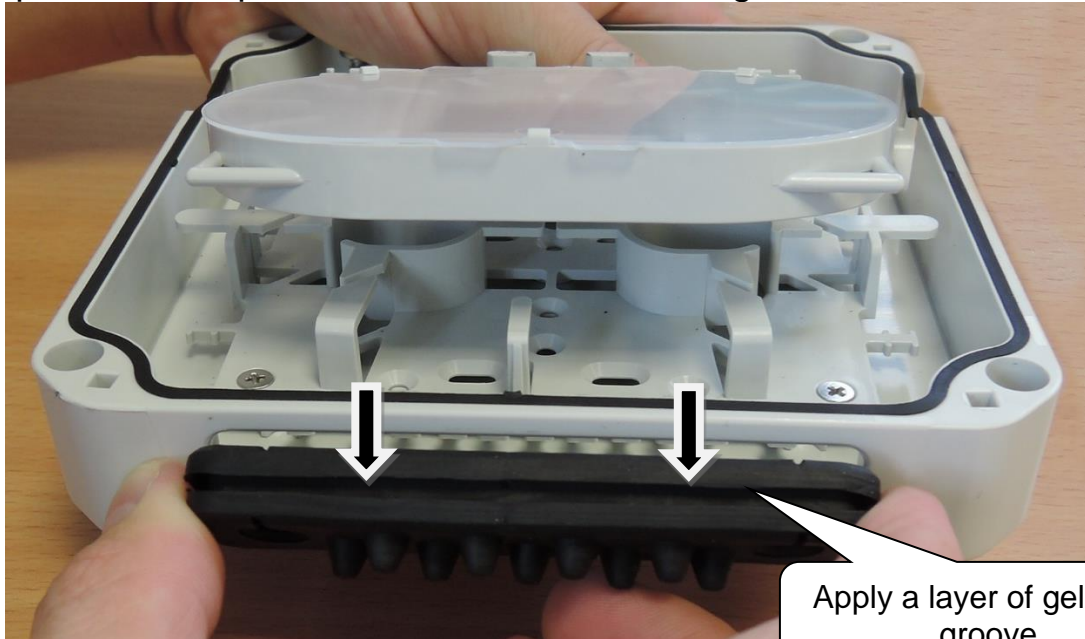
1. Attach the facade box at the desired position using four screws.



2. Cut the seal as it is at picture.



3. Unpack the components and install the bushings.

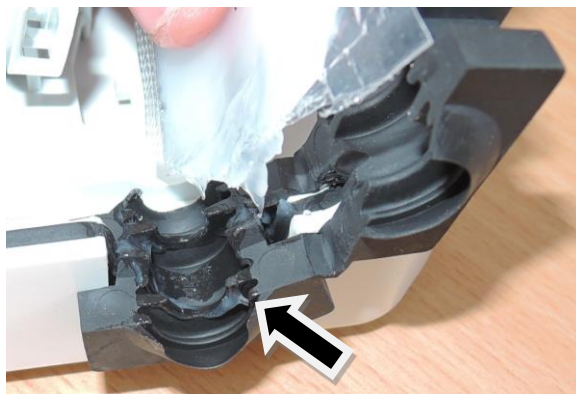
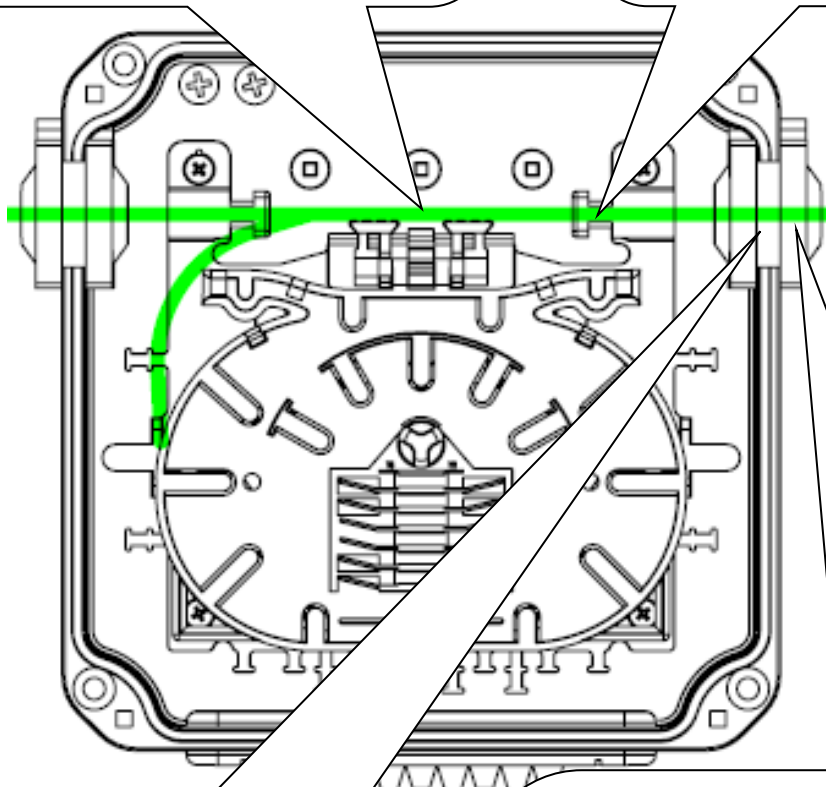
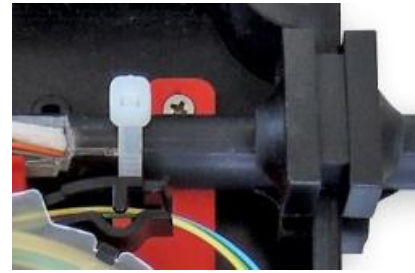
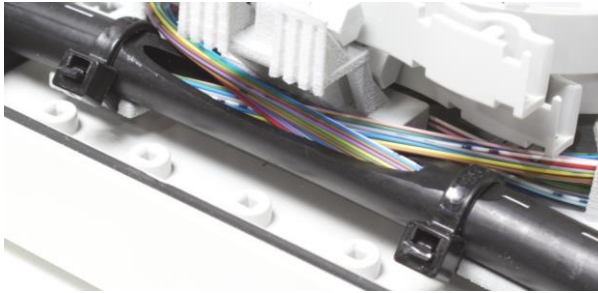


Apply a layer of gel in the groove.

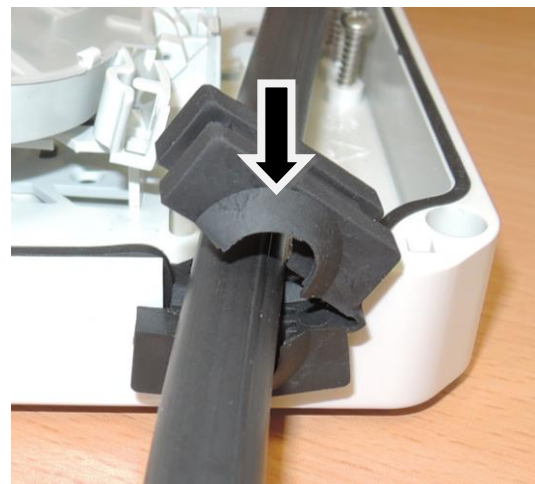


Apply the gel layer and install the bushing into the bottom of the box. The lower edge of the bushing is provided with a number.

4. Place the riser cable with window cut into a box and secure with draw band.



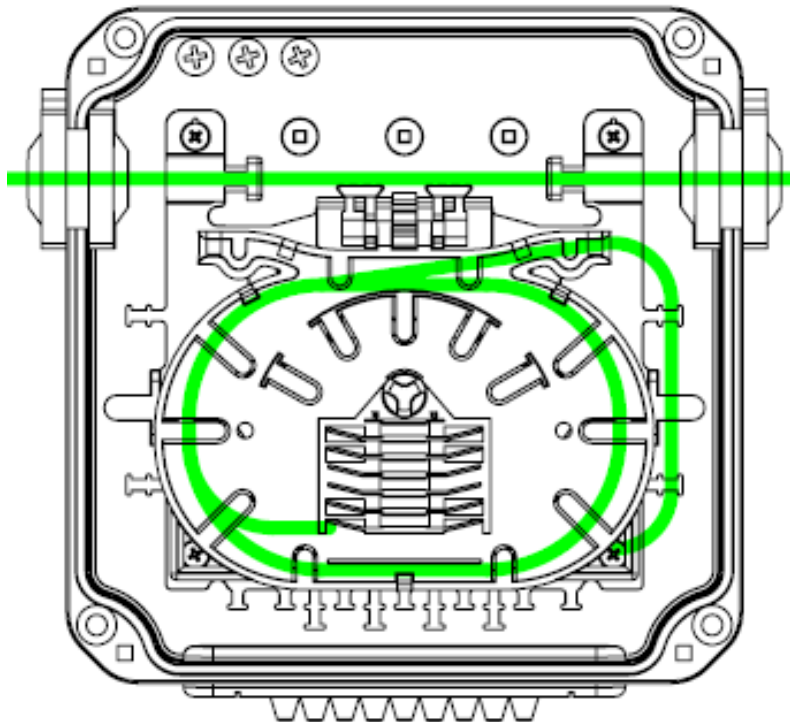
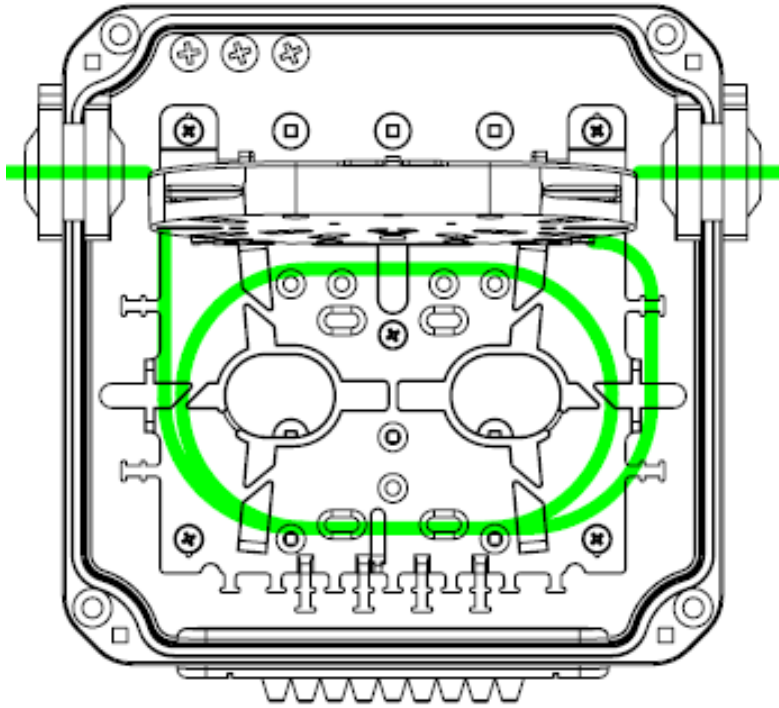
Before installing the cable, wipe the sealing gel through the bushing.



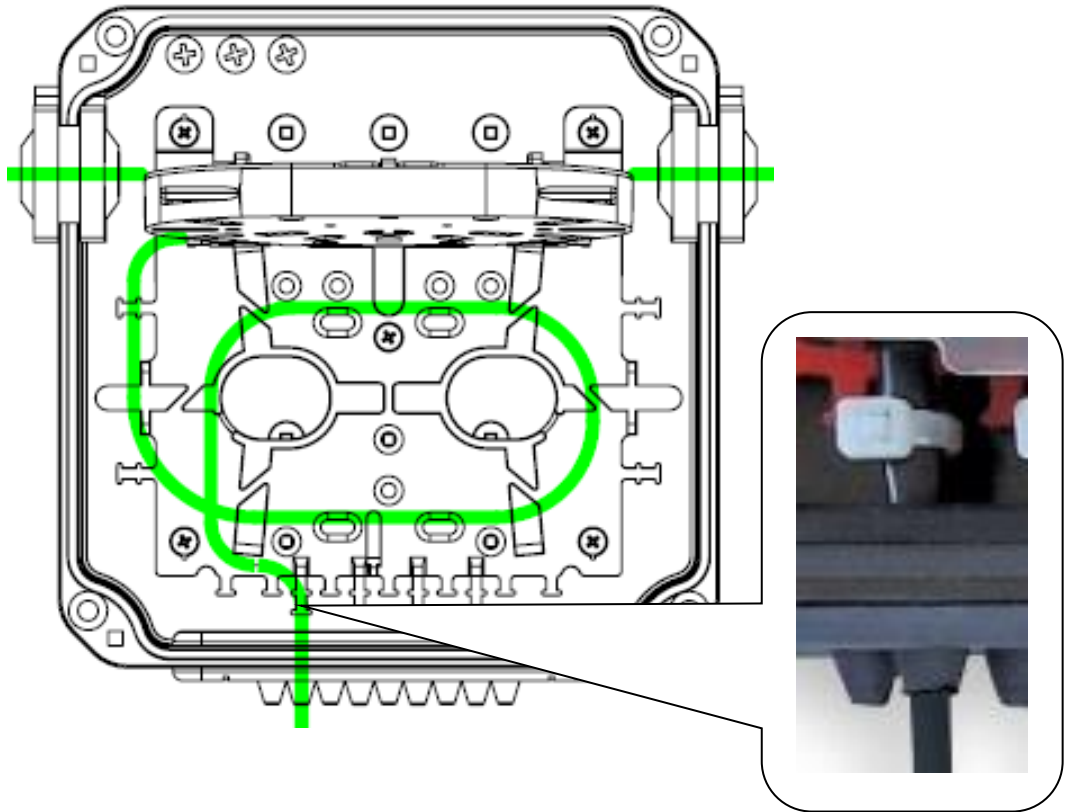
Insert the cable into the bushing and insert the bushing into the bottom of the cabinet.



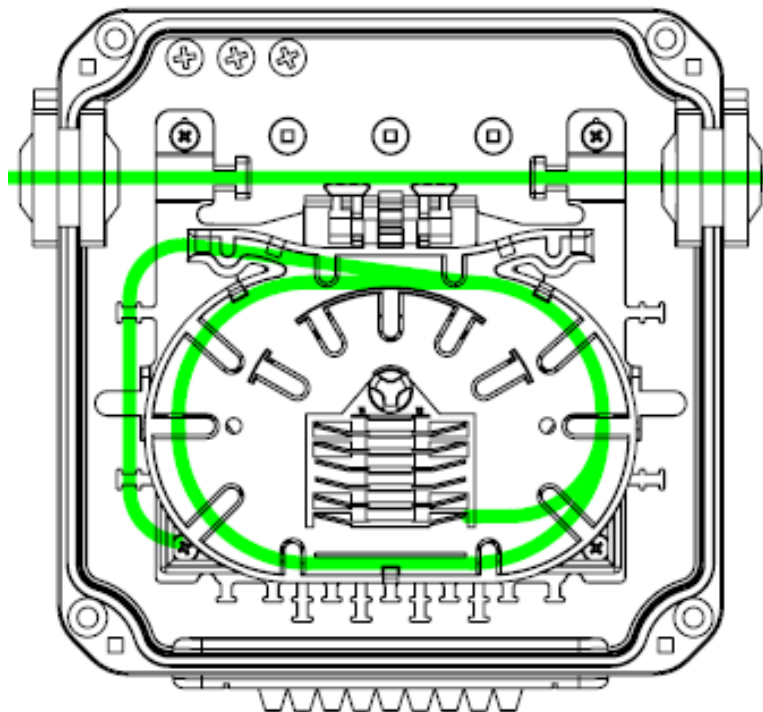
5. From the cable window of riser cable, pull out the appropriate fiber. Save the reserve and insert the splice tray according to the scheme.



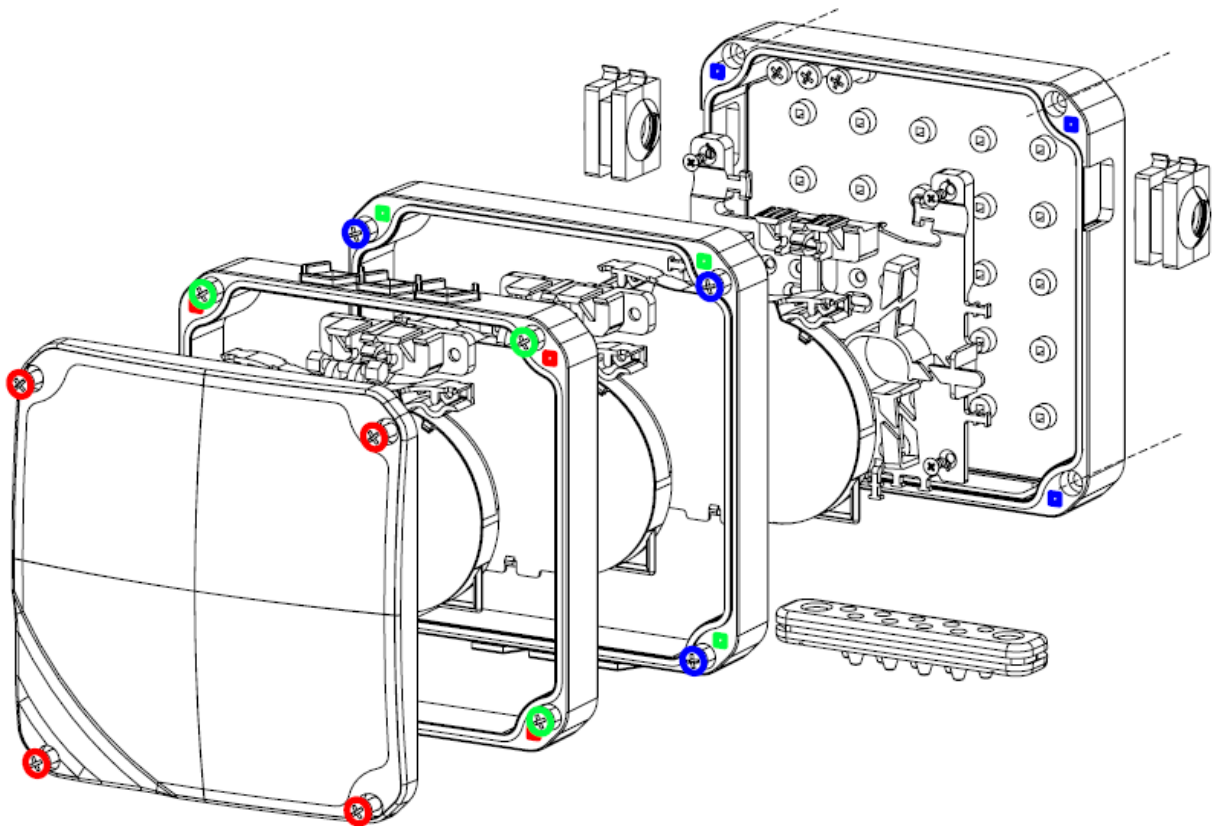
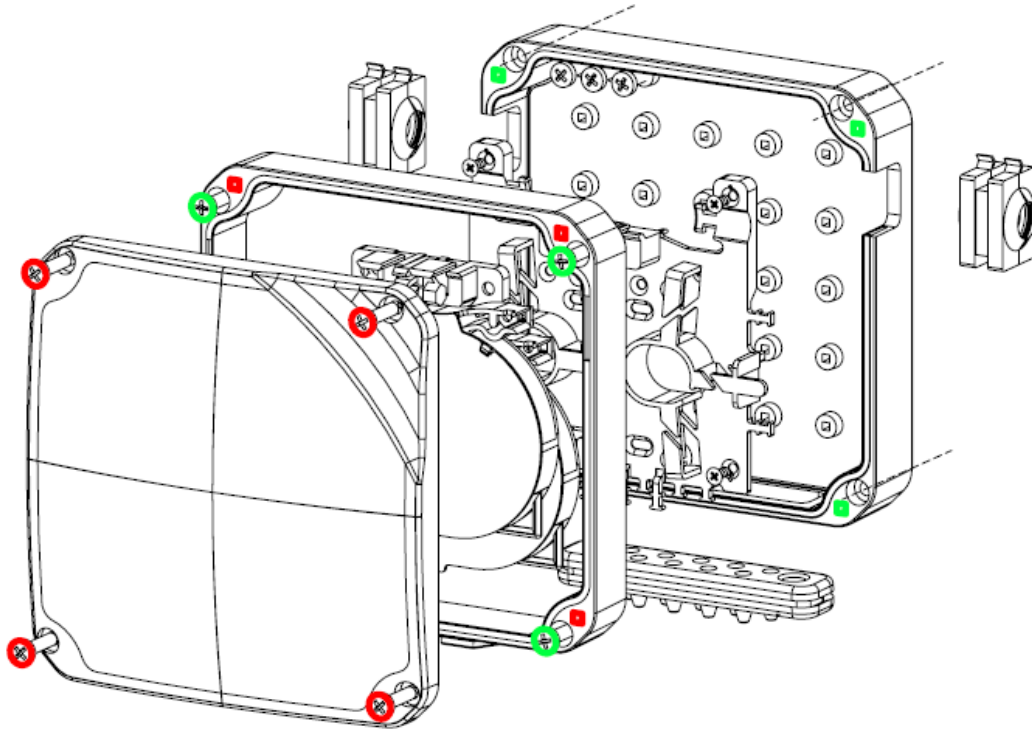
- Secure the cable with draw band. Reserve of micro fiber bundle store according to the scheme (max. Total length is 30m reserves fiber $\varnothing 0,9$ mm).



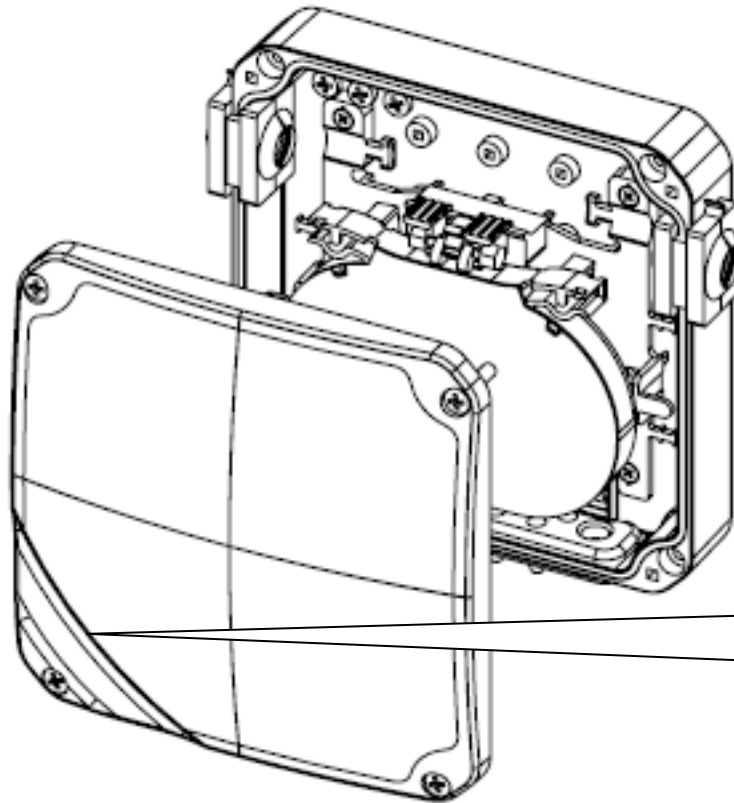
- Guide the fiber into the splice tray.



8. In case you need extend splicing capacity on 24 or 36 splicing, add an extension frame or frames.

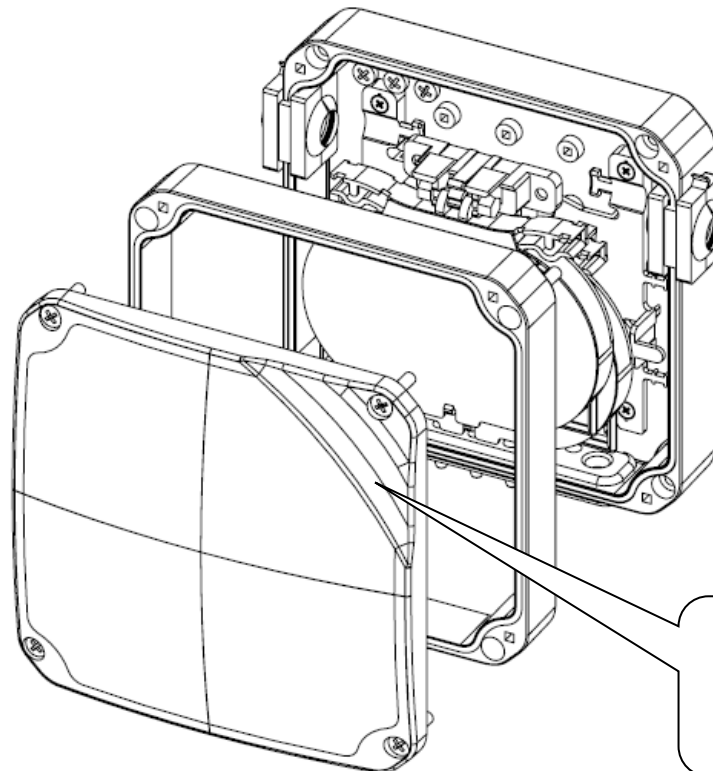


9. Splices the fibers. The maximum length of splice protection is 45 mm. Save the splicing and the reserve of optical fibers into the splice tray. Mount the lid with four screws (according to the variant).



MIND the correct orientation of the lid!

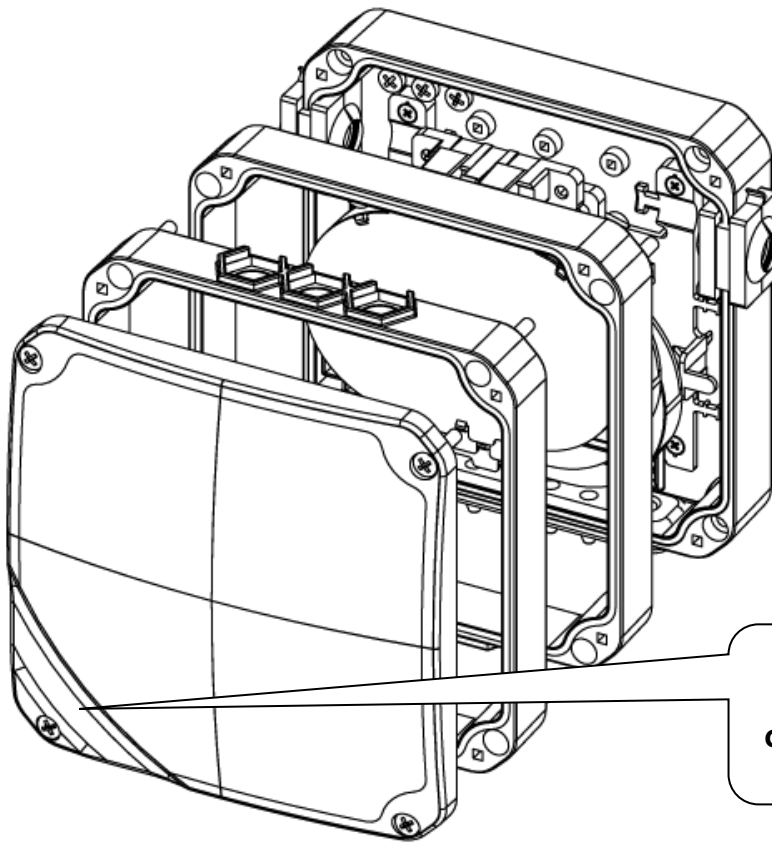
10. Mount the lid with four screws (according to the variant).



MIND the correct orientation of the lid!



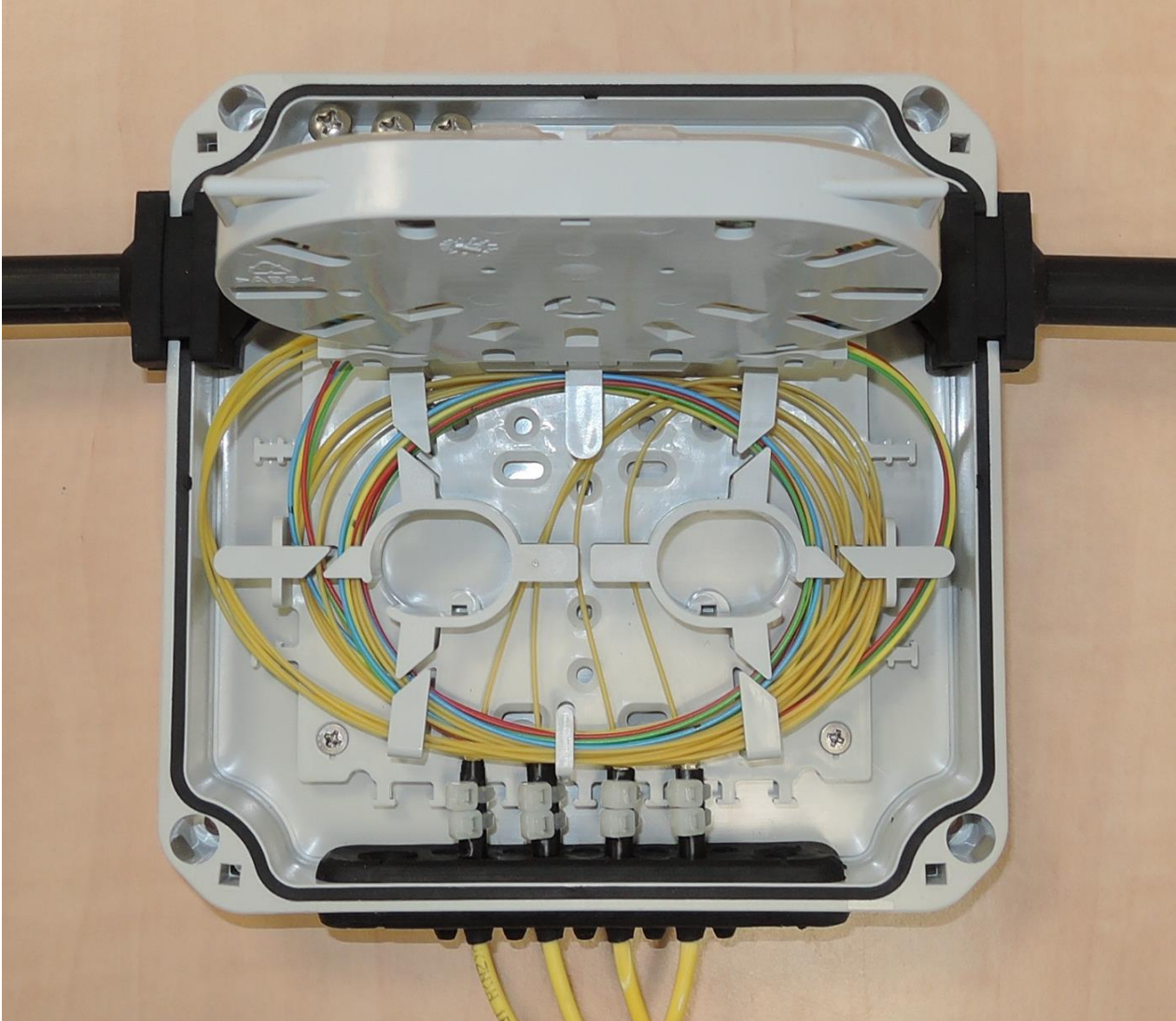
11. Mount the lid with four screws (according to the variant).

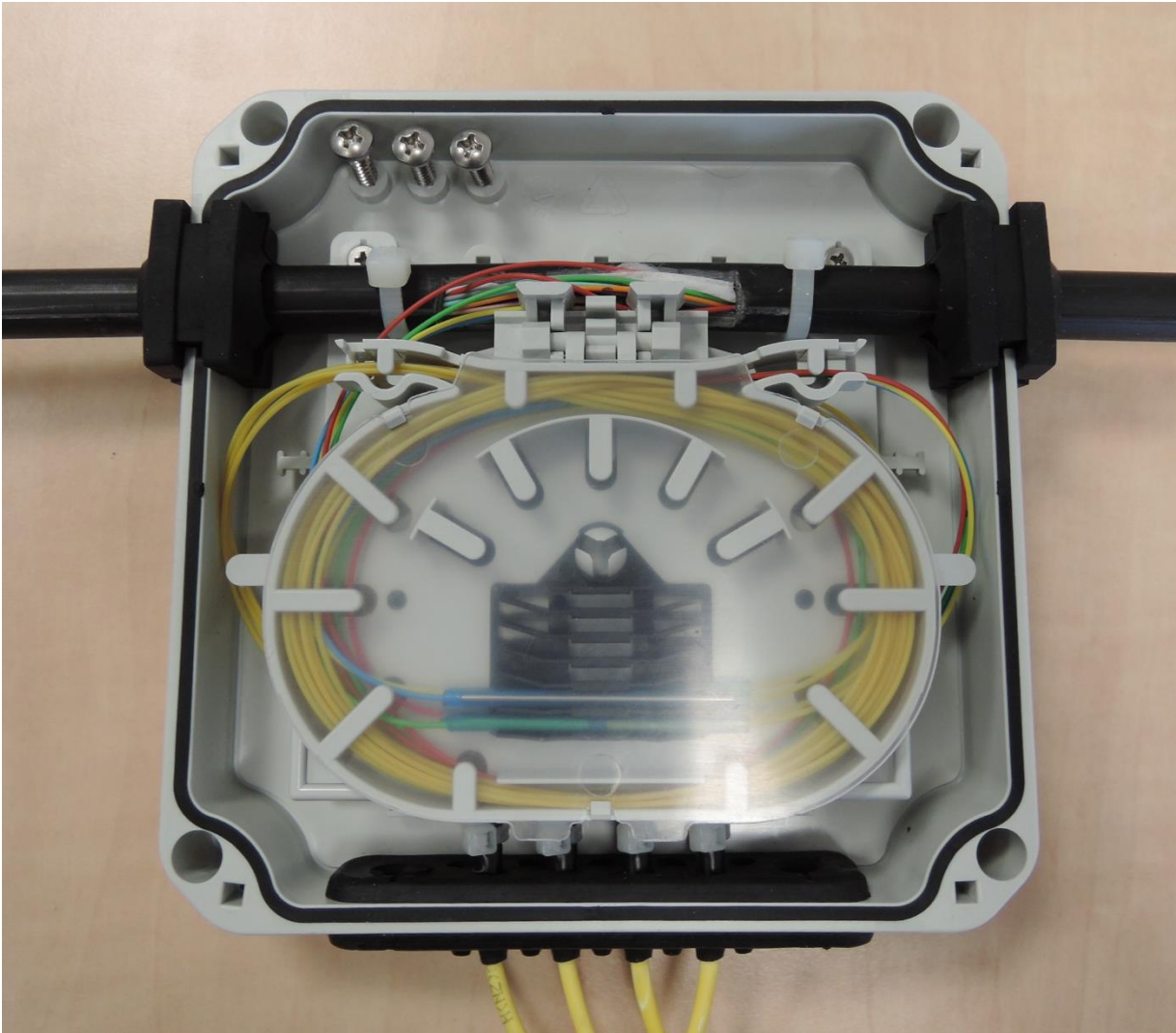


**MIND the
correct
orientation of
the lid!**



12. Example of box.





13. The operations specified in Paragraphs 1-12 may only be performed by an authorized technician.