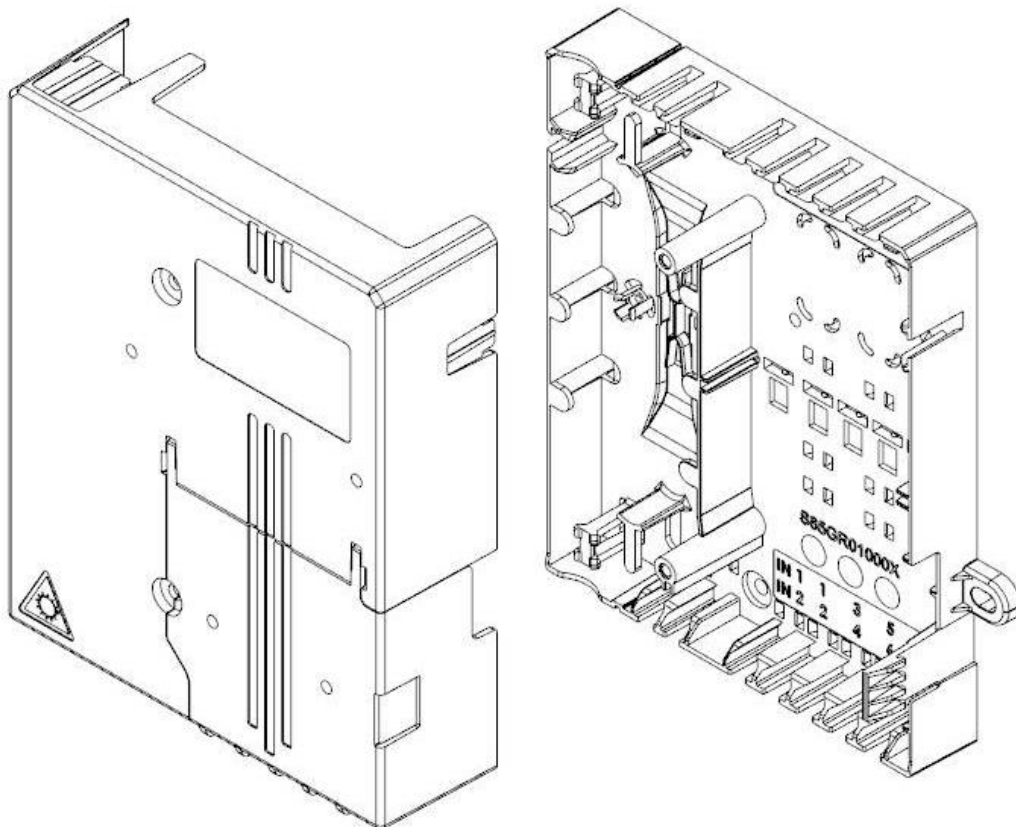




## MTeH Mini



**Contact:**

MICOS TELCOM s.r.o.

Háj 365

798 12 Kralice na Hané, Czech Republic

tel.: +420 582 307 511

E-Mail: [telcom@micos.cz](mailto:telcom@micos.cz); [www.micostelcom.com](http://www.micostelcom.com)

495859



## GB

### Technical description:

MTeH Mini is a compact size distribution box for the inner premises on the wall or for placing in the technical channels in multi-story houses. It contains a separate section for connecting customers realized by junior technician with less experience who does not have access to the inner splicing section. The user entries are on all sides of the box and they are designed as a notch system for ducts or cables with the diameter of 5 mm which prevents tearing apart. An additional fixation by means of cable ties. The left side contains the entry for the main cable which allows for cable going through without break. The box contains a holder for two heat-shrinks, suitable for splicing the splitter input. Another expansion by placing an extra splice holder. Pre-moulded holes in the bottom allow for mounting the box on the duct going from the wall and eliminate the bricklayer works after the wall drilling.

**Type:** MTeH Mini  
**Colour:** white RAL 9003  
**Dimensions:** 150x140x40mm  
**Weight:** 0.2kg

### Accessories:

Accessory bag

1pc

### Declaration on product conformance:

The product was manufactured in compliance with the valid technical documentation. An observation of designed technology procedures and material was followed according to the ISO 9001 standard.

### Warranty:

The manufacturer guarantees for product imperfections arisen within the period of warranty due to the demonstrably deficient material, error in design, or deficiencies in manufacture. Such deficiencies shall be repaired by the manufacturer free of charge. The manufacturer is authorized to reject the complaint if the item was demonstrably damaged due to an unqualified infringement, rough manipulation, or by force majeure. The warranty period is 24 months (if not stated otherwise) starting from the date of the consignment receipt by the customer. The warranty covers the product capability and conformance with agreed, or usual purpose.

### Note:

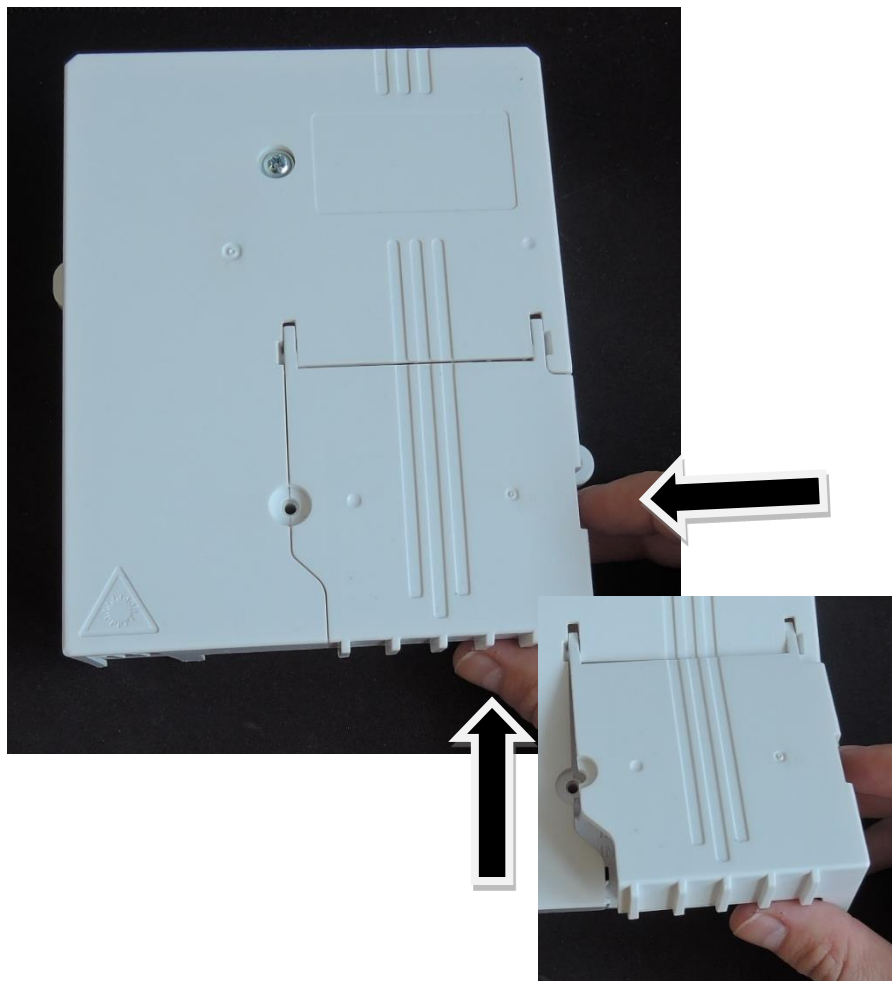
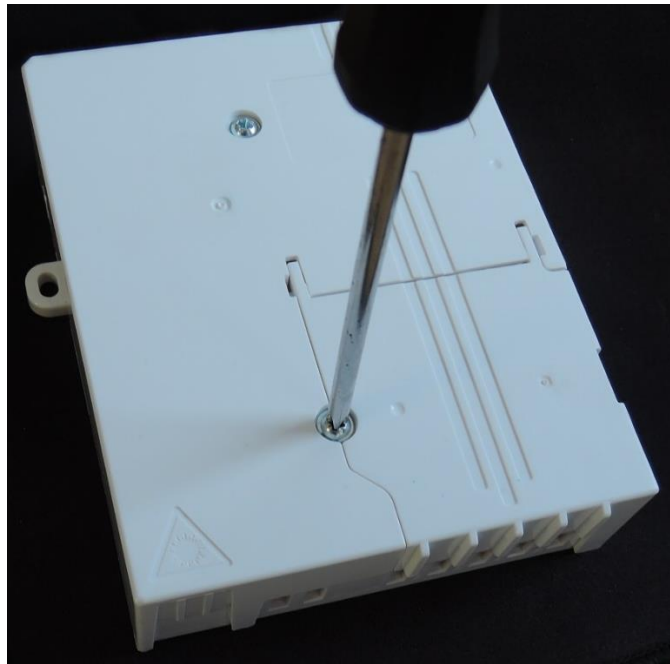
The product design may vary according to the requirement of the customer. The weight of single products may vary. The manufacturer is authorized to develop its products according to the requirements of the customer. Recording of all developing changes in this document is not necessary. The product picture is only informative.

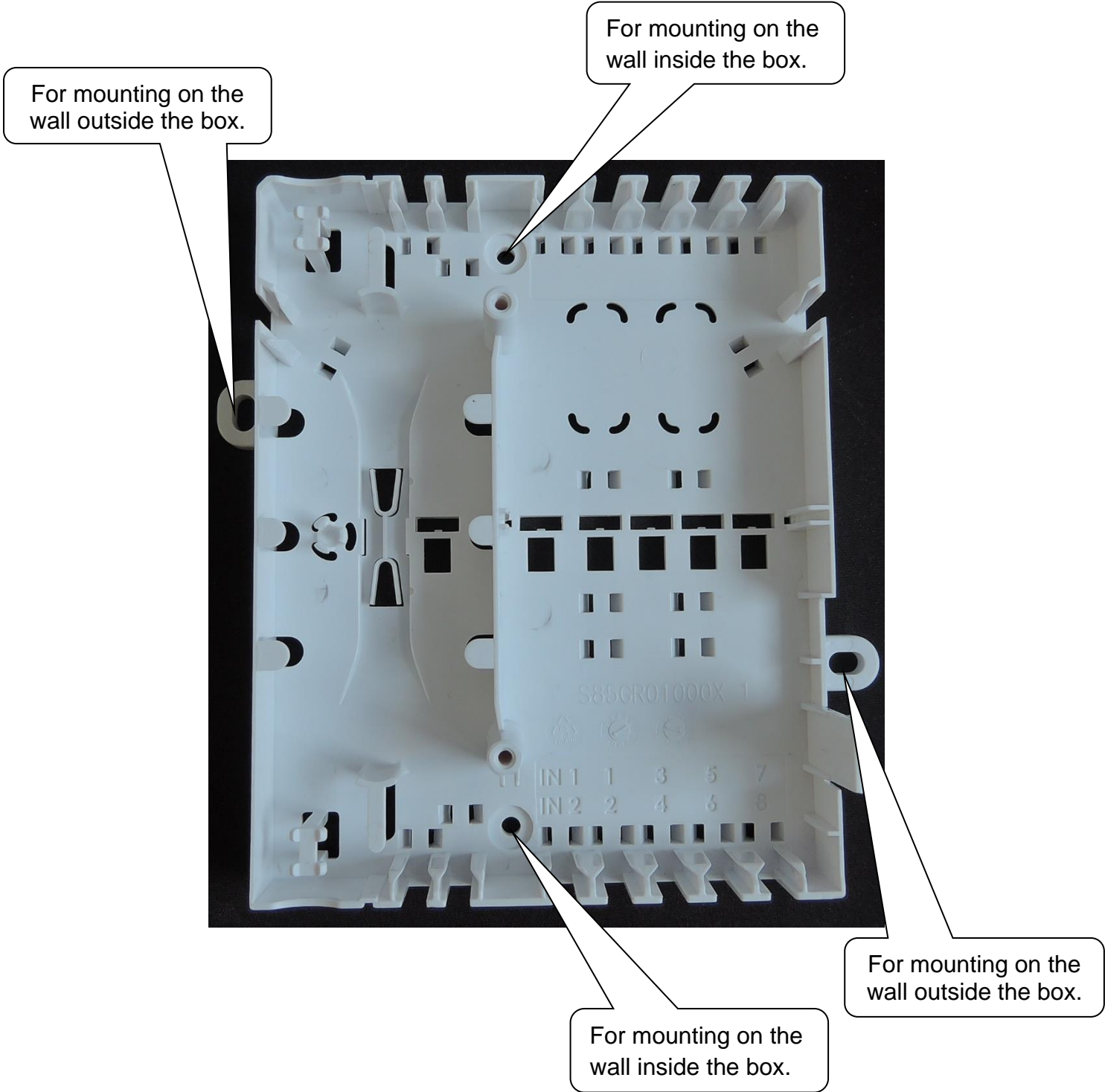


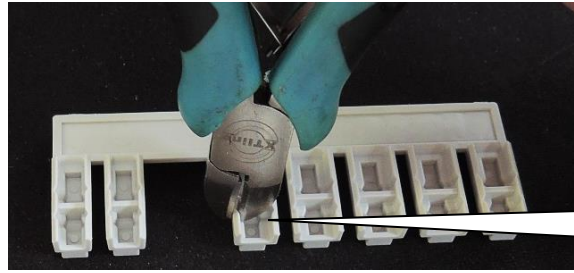


### Assembly Procedure:

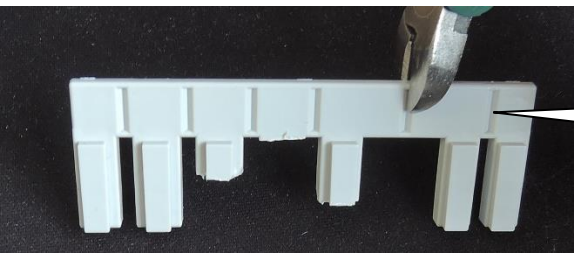
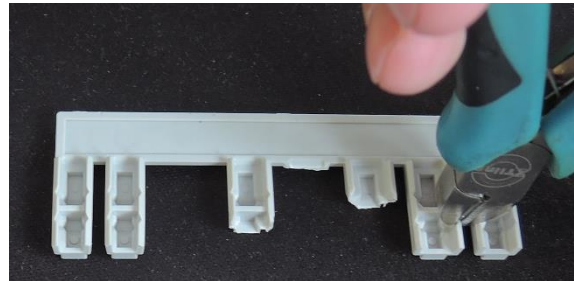
The section for connecting customers can be closed with a single screw. For opening loose the screw.



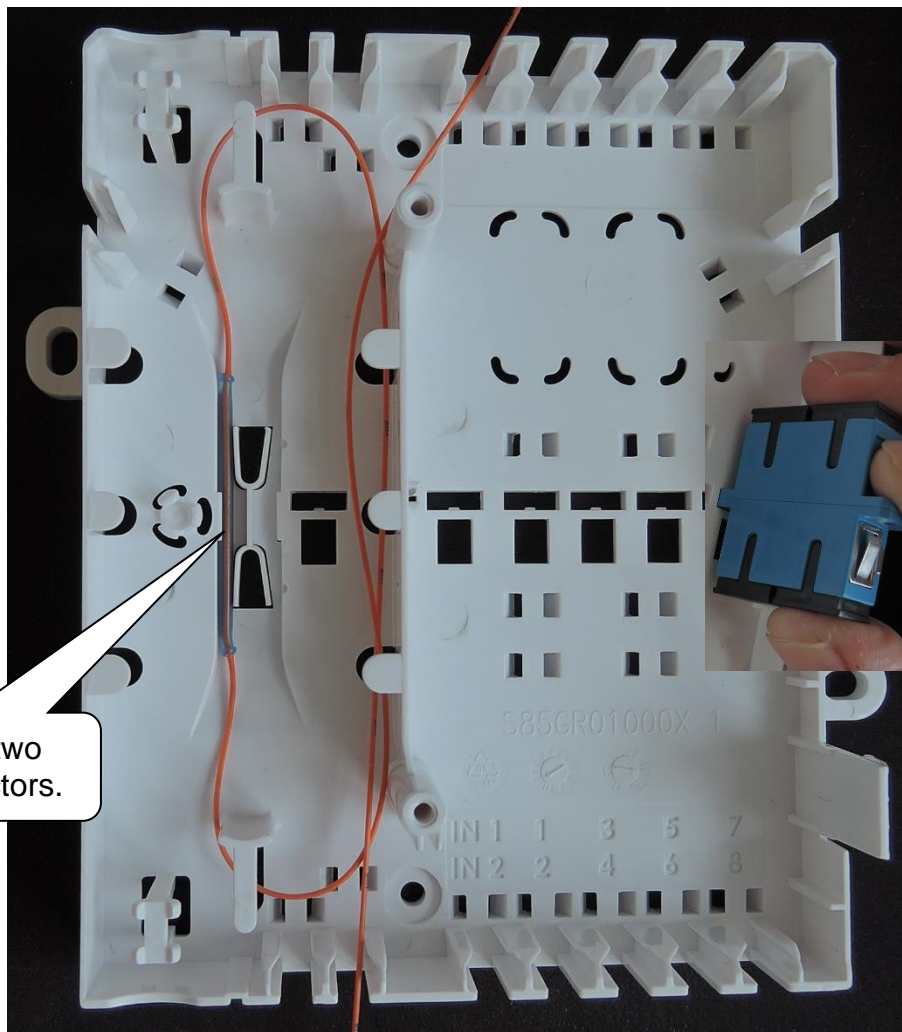




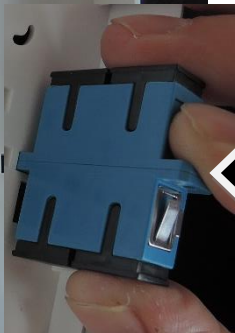
The plug can be shortened as needed.



The plug can be divided as needed.



Holder for two splice protectors.

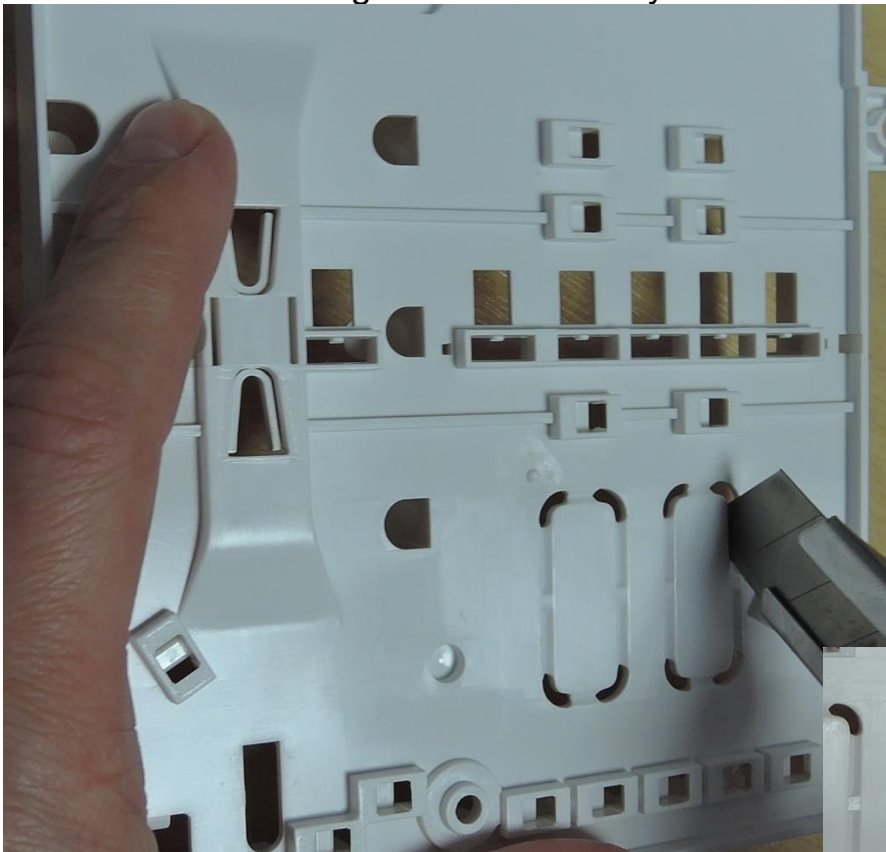




Breaking out the cover.

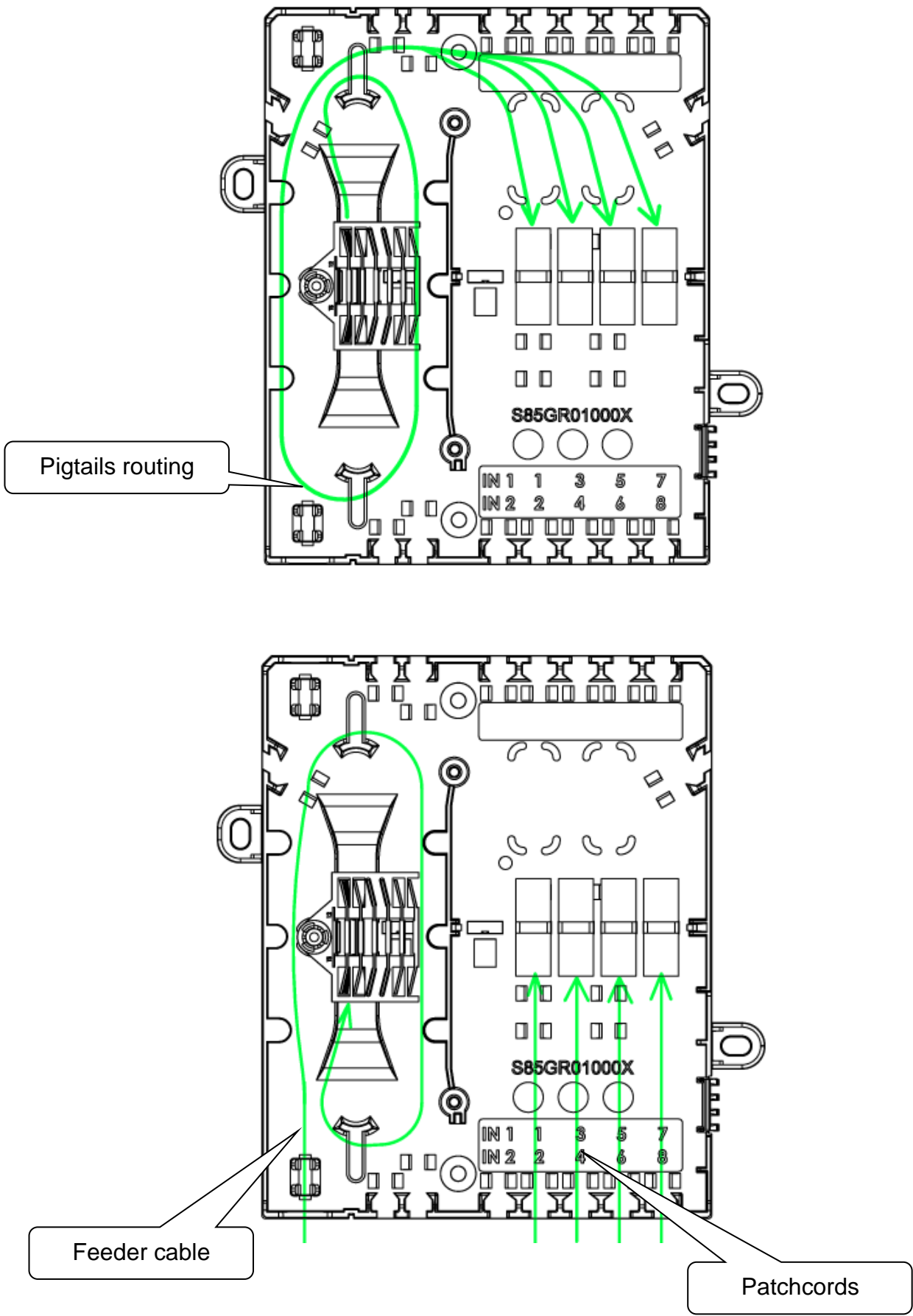


Breaking out the rear entry.



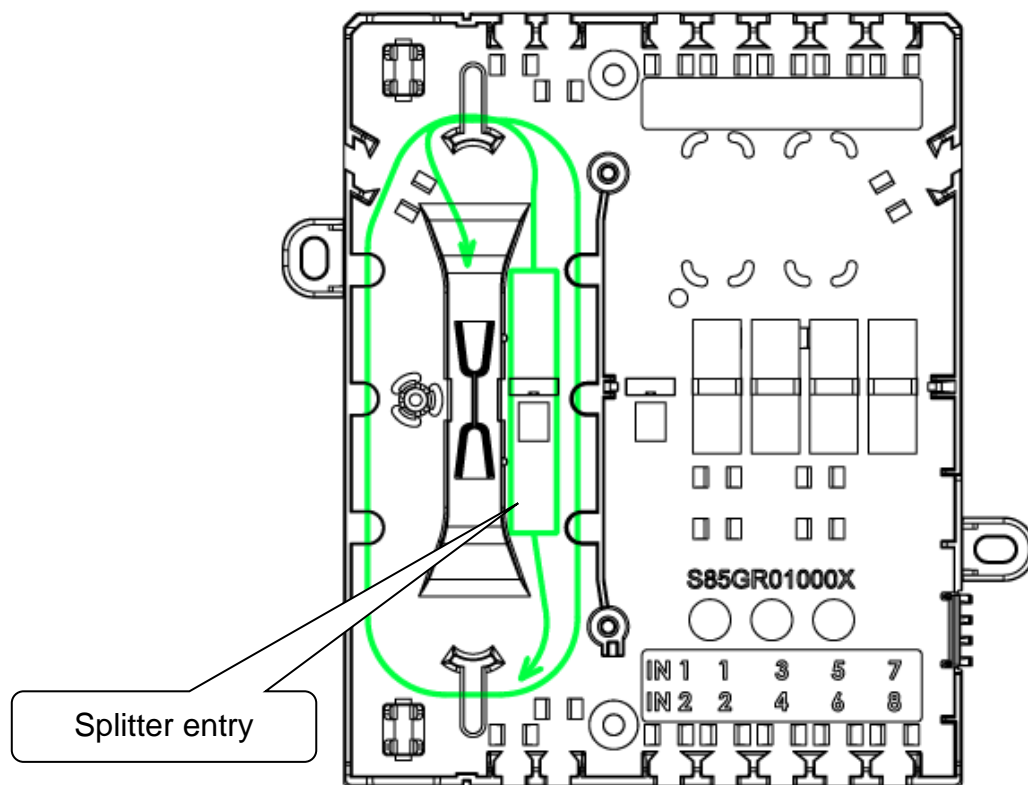
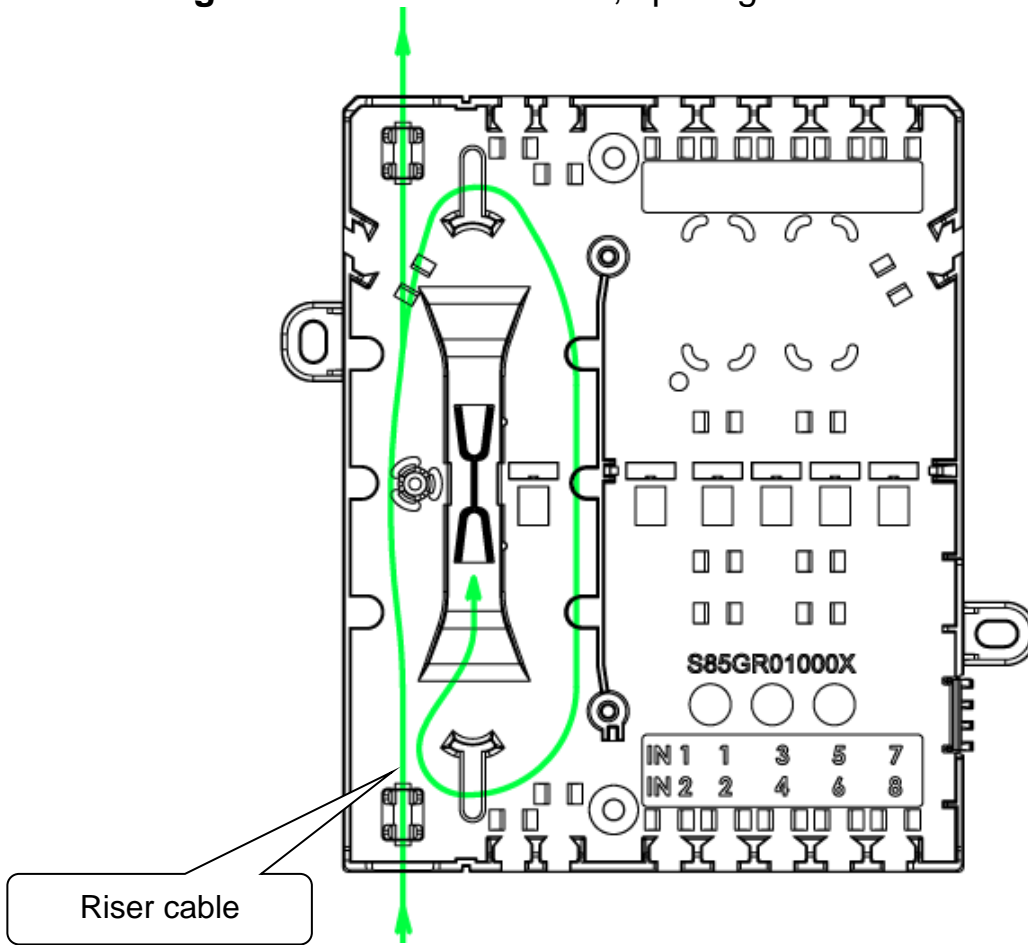


The termination of the feeder cable on the adapter.





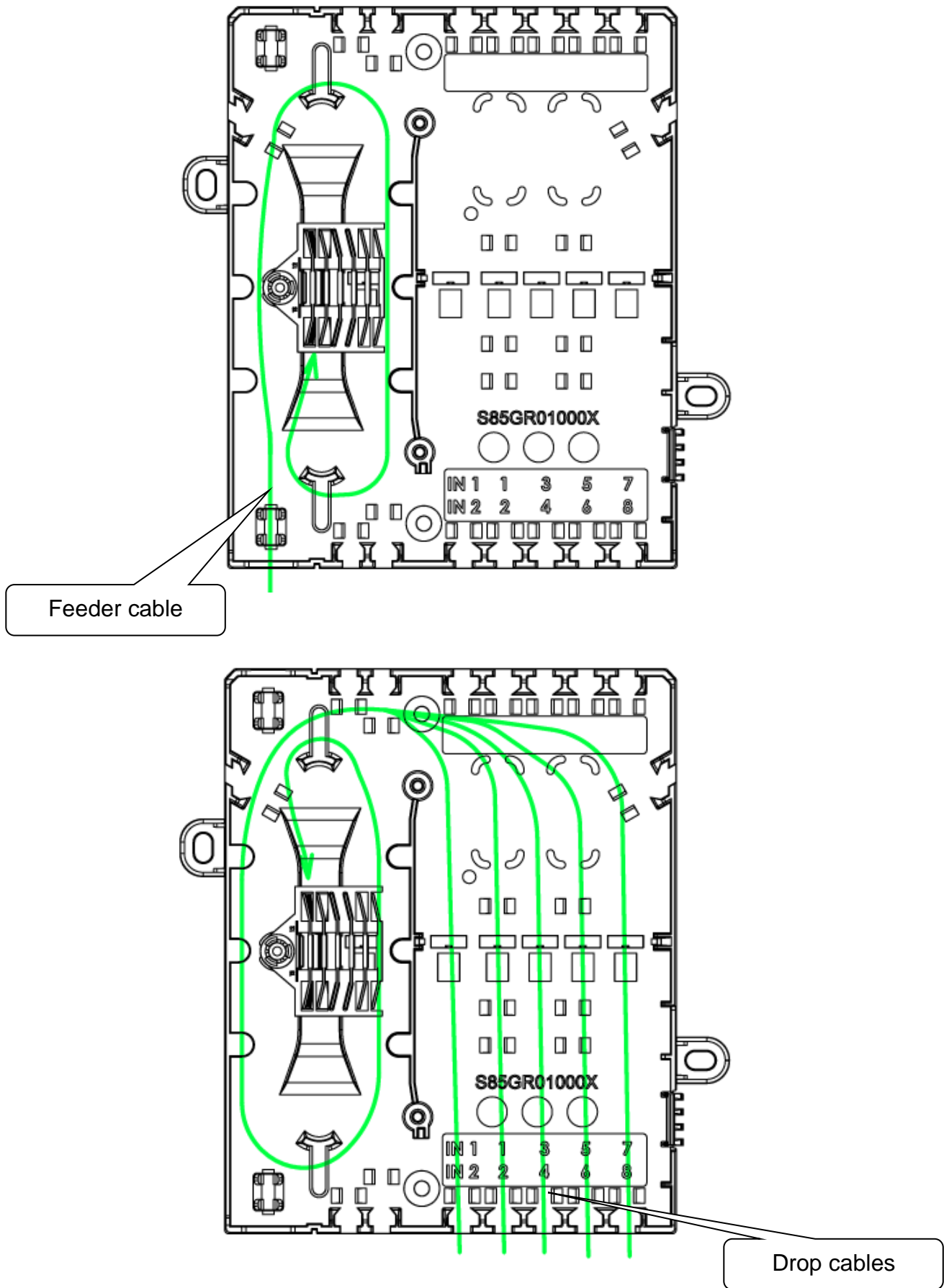
### Routing in the box: Riser cable, splicing one fiber to the splitter entry.





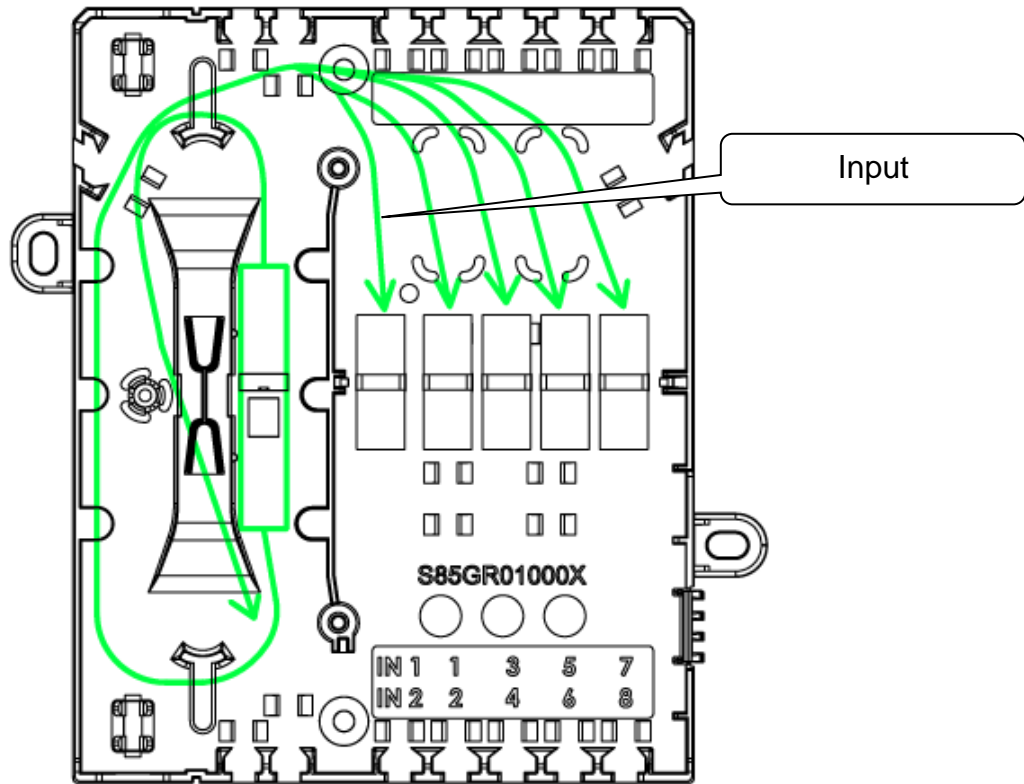


### Routing in the box: Splicing the drop cables to the feeder cable.

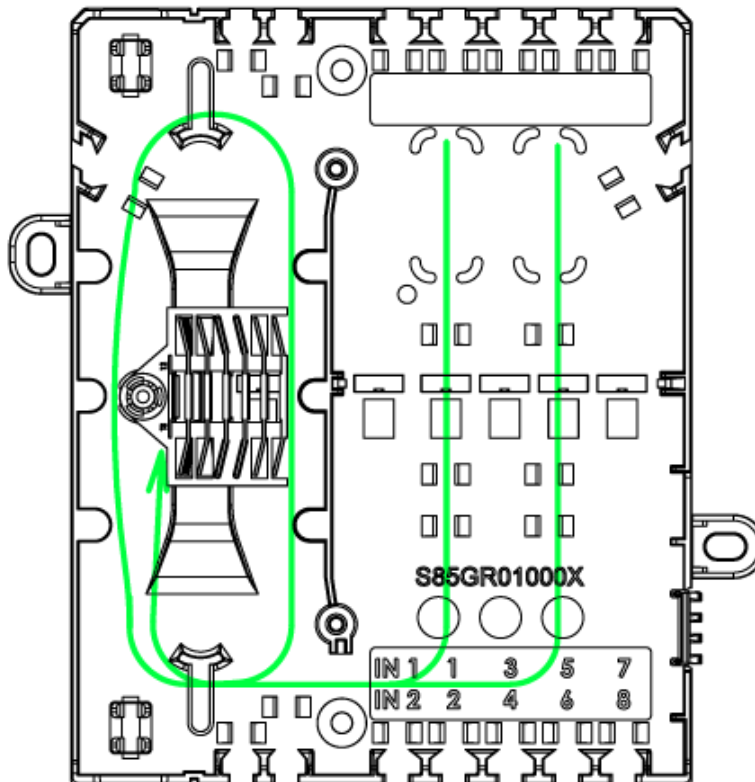




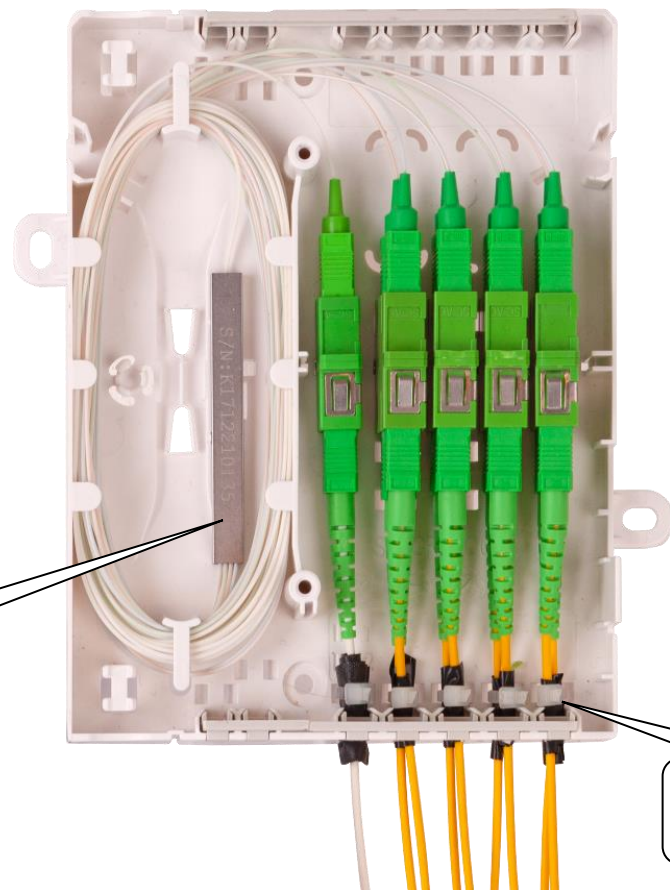
**Routing in the box: Splitter 1:8, preconnectorized input and output.**



**Routing in the box: The main cable entry through the wall.**



## Examples of configuring.

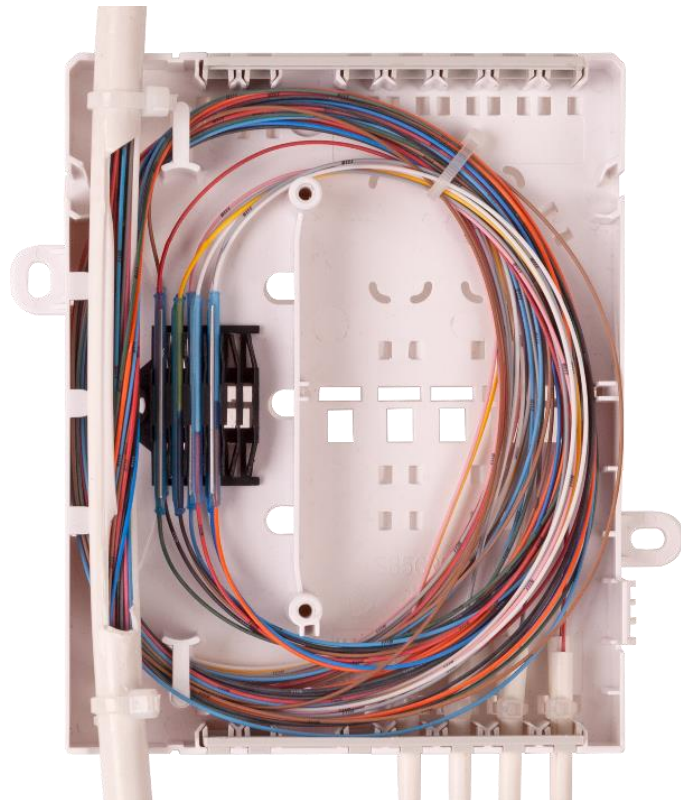
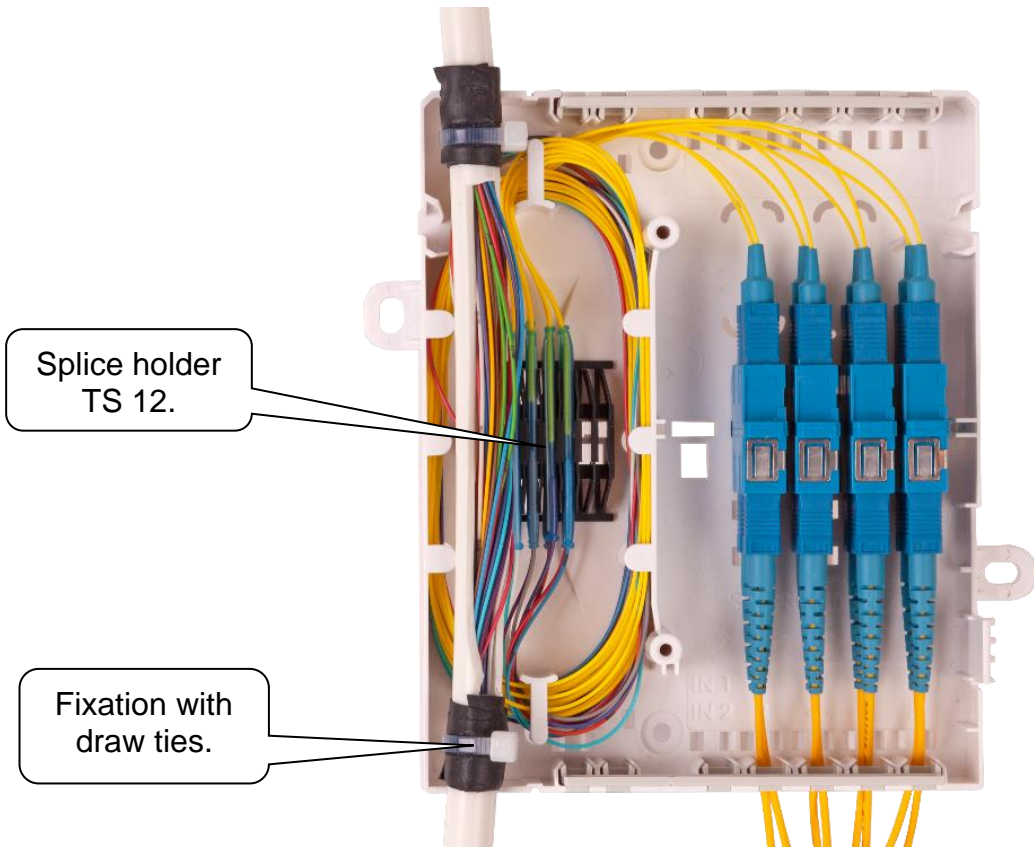


Splitter glued.

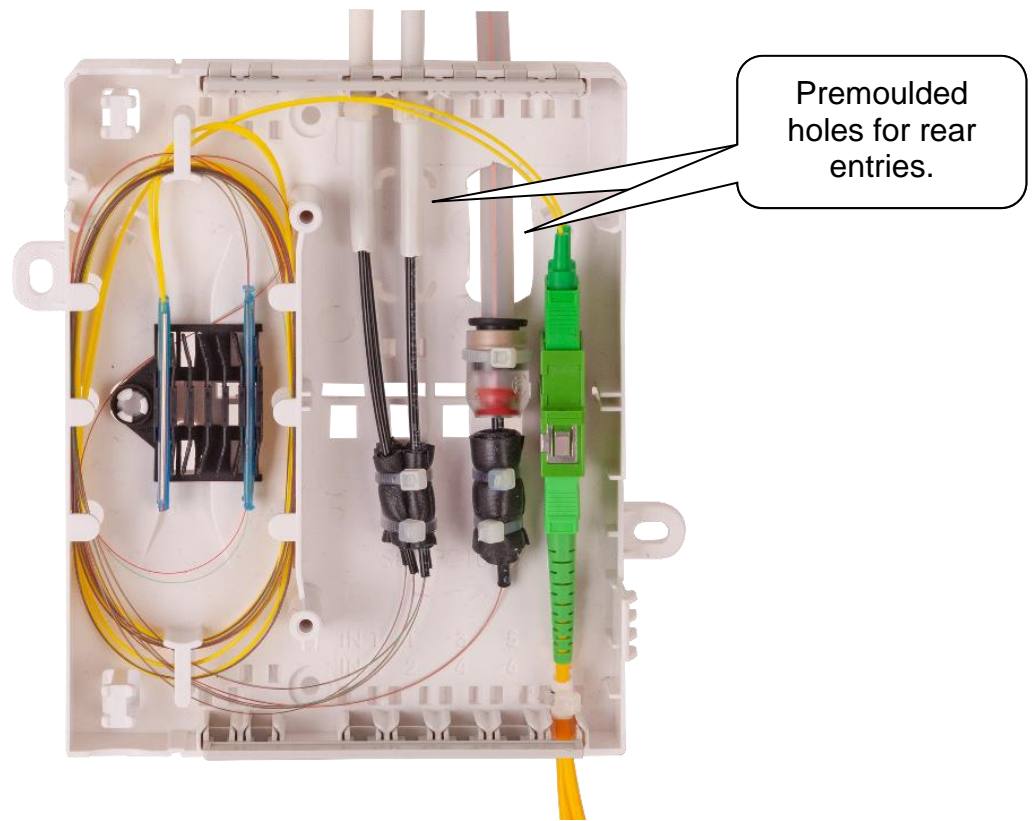
Fixation with  
draw ties.



## Examples of configuring.



## Examples of configuring.



Installation works may only be performed by an authorized person.