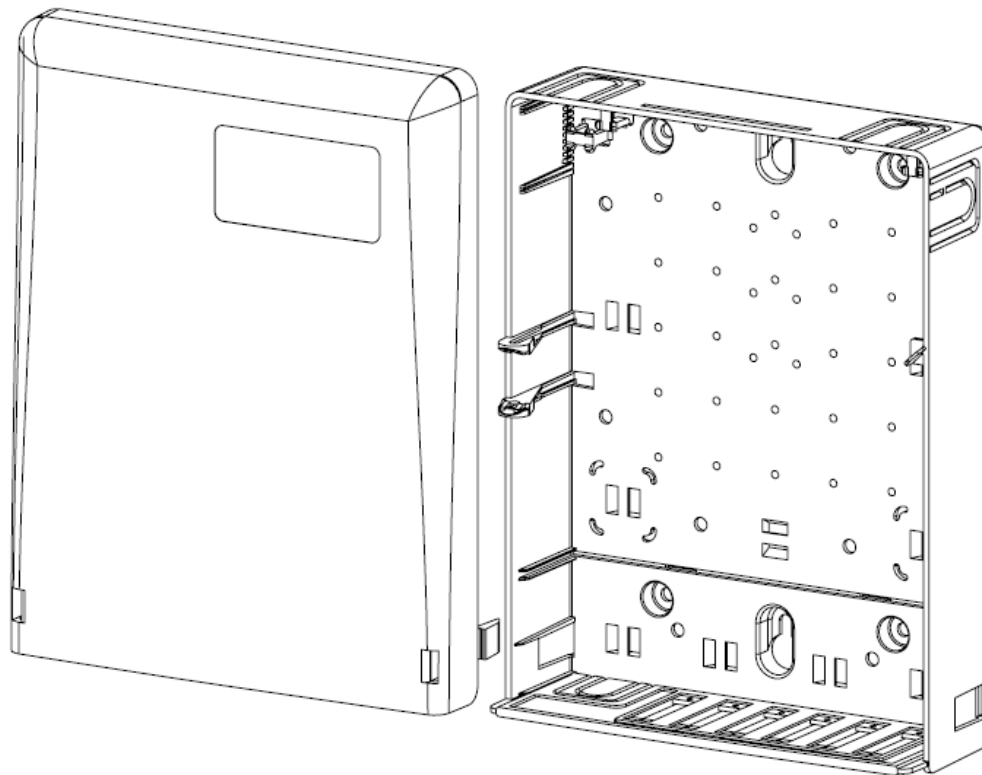




MTeH EASY



Contact:
MICOS TELCOM s.r.o.
Háj 365
798 12 Kralice na Hané, Czech Republic
tel.: +420 582 307 511
E-Mail: telcom@micos.cz; www.micostelcom.com

494136

Technical description:

MTeH EASY is designed as a simple distribution box for indoor installation. Is destined especially for FTTH networks. Easy box can be used for storage of pre-connectorized cable or blown cable which can be spliced after request of the customer. It could be used as distribution point in small building facility, or as floor box.

Type: MTeH EASY
Colour: white RAL 9003
Dimensions: 205x157x60mm
Weight: 0,3-0,45kg

Accessories:

Accessory bag 1pc

Declaration on product conformance:

The product was manufactured in compliance with valid technical documentation. An observation of designed technology procedures and material was followed according to the ISO 9001 standard.

Warranty:

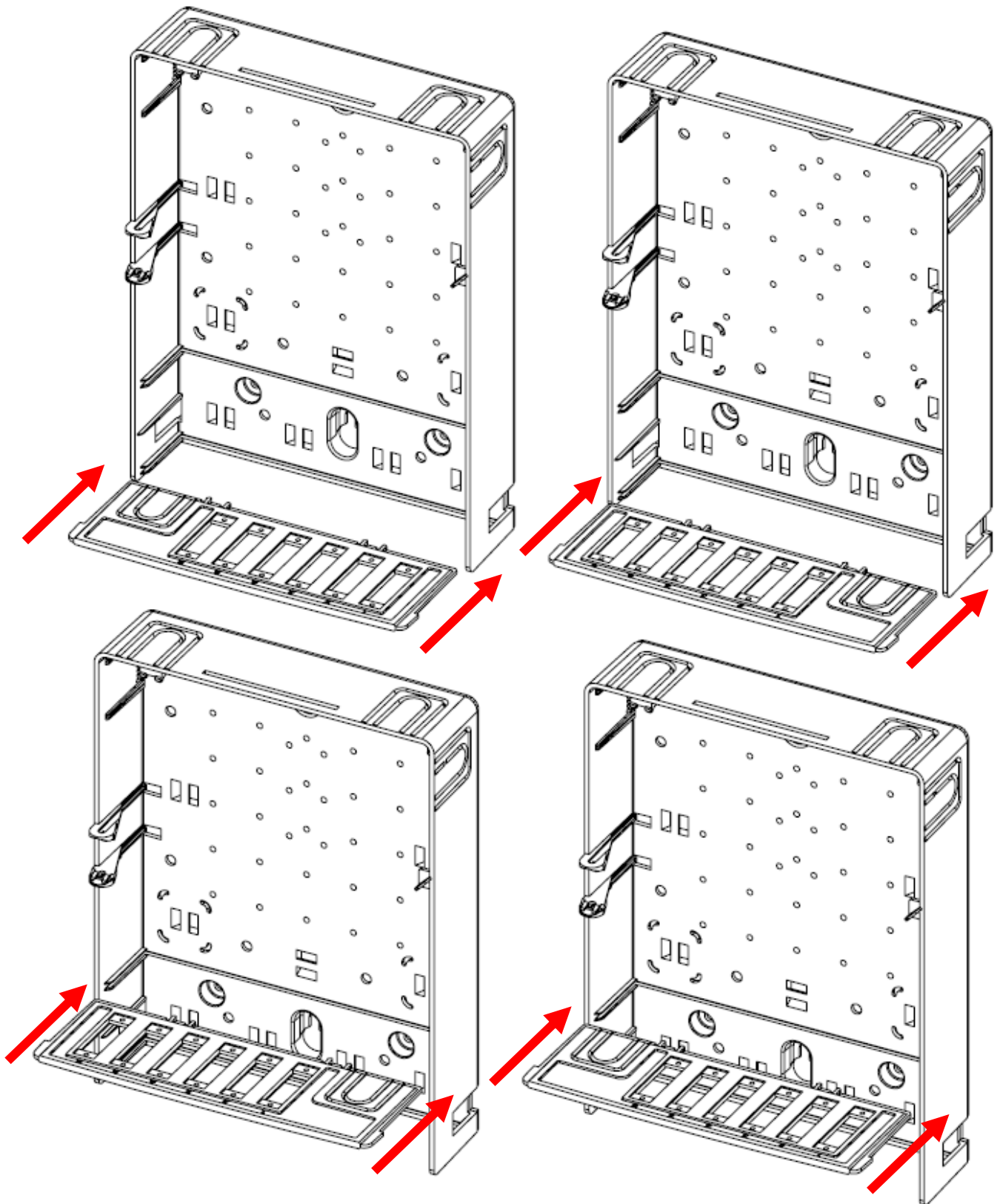
The manufacturer guarantees for product imperfections arised within period of warranty due to the demonstrably deficient material, error in design, or deficiencies in manufacture. Such a deficiencies shall be repaired by the manufacturer free of charge. The manufacturer is authorized to reject the complaint if the item was demonstrably damaged due to an unqualified infringement, rough manipulation, or by force majeure. The warranty period is 24 months (if not stated other way) starting from the date of product consignment to the customer. The warranty covers the product capability and conformance with agreed, or usual purpose.

Note:

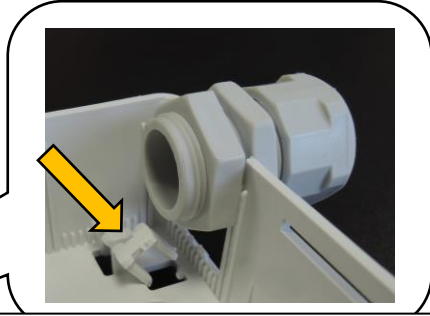
The product design may vary according to the requirement of the customer. The weight of single product execution may vary. Manufacturer is authorised to develop its products according to the requirements of the customer. Recording of all developing changes in this document is not necessary. Picture is only informative.

[Installation video on You Tube](#)

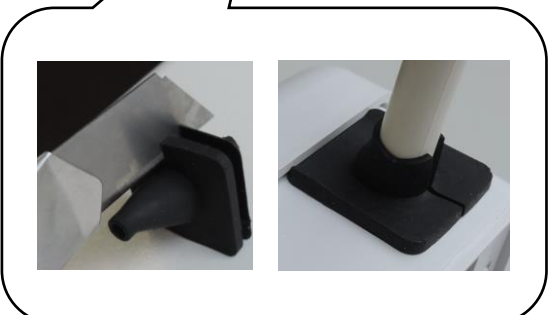
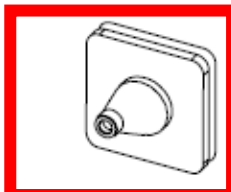
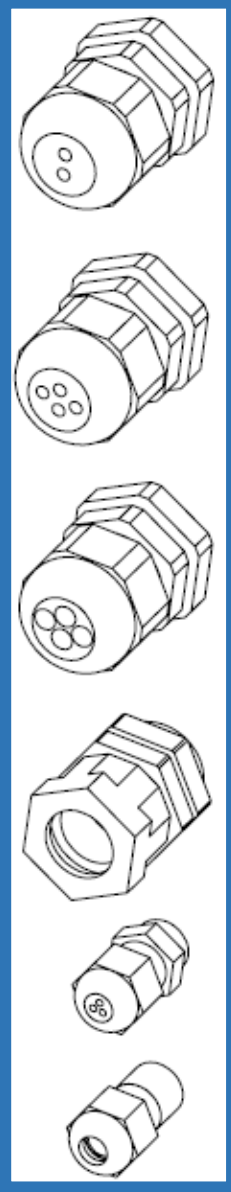
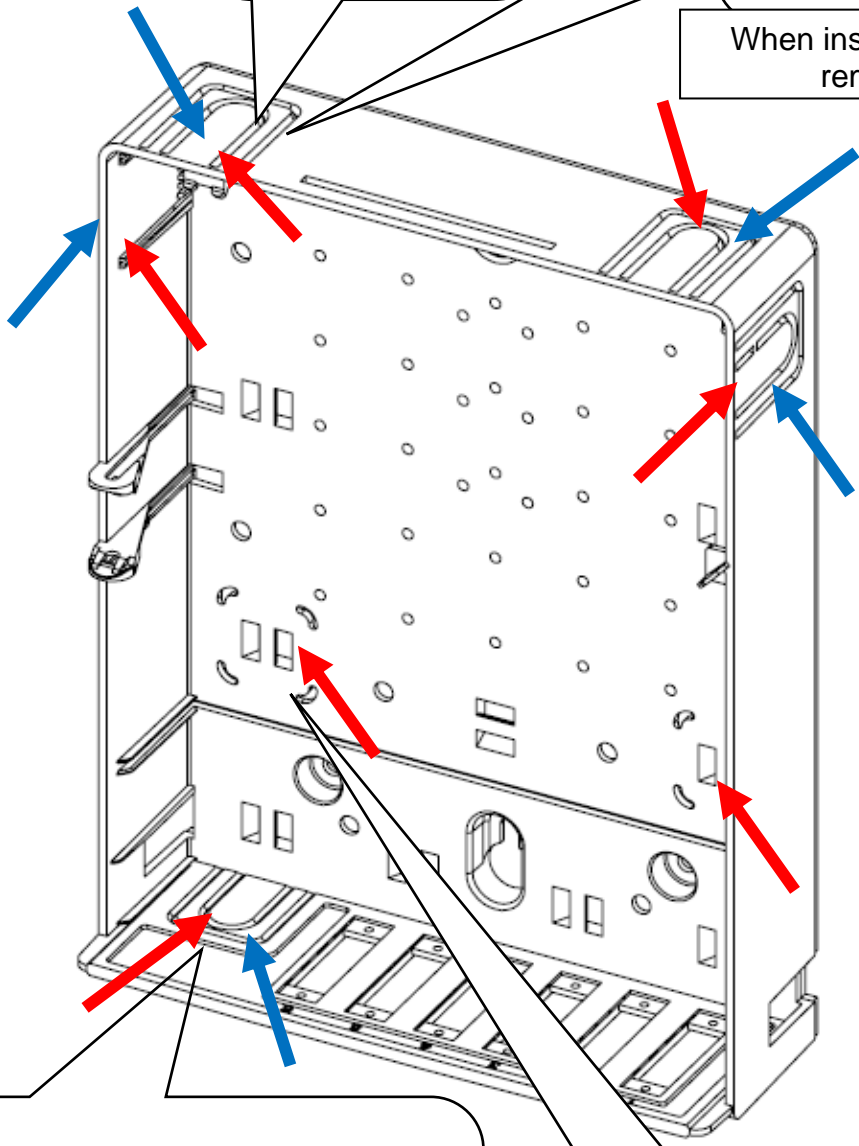
Assembly Procedure:



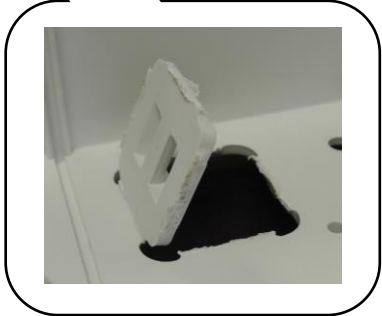
Installs connector panel as required.



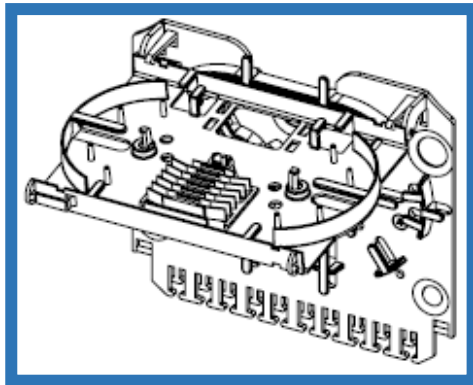
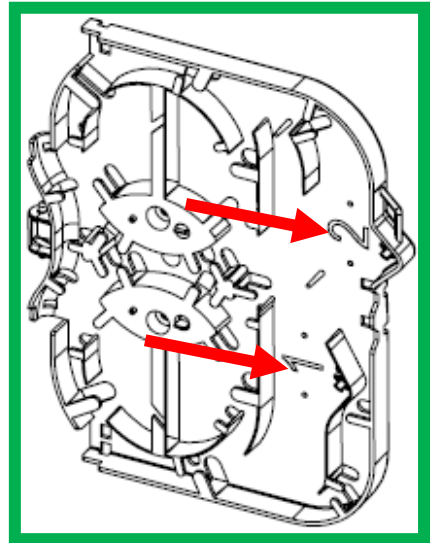
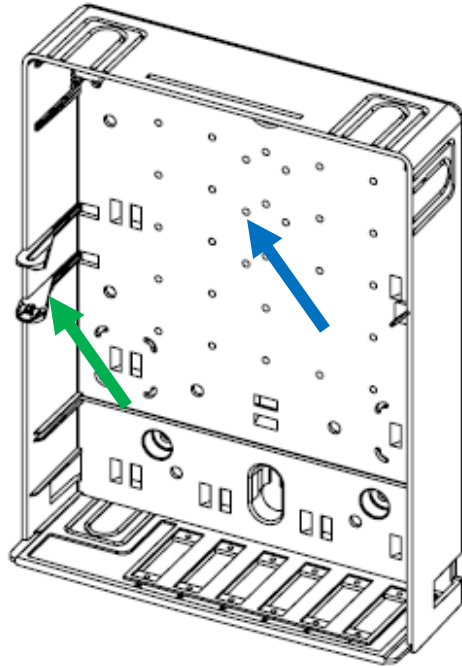
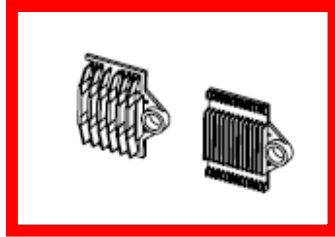
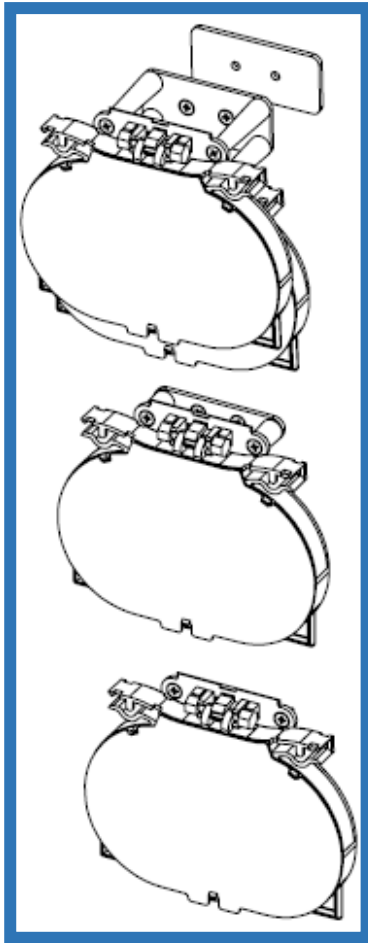
When installing the PG bushings remove the bracket.



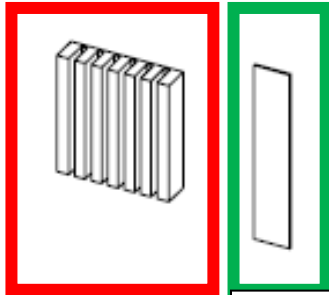
Bushing to cut the cord through.



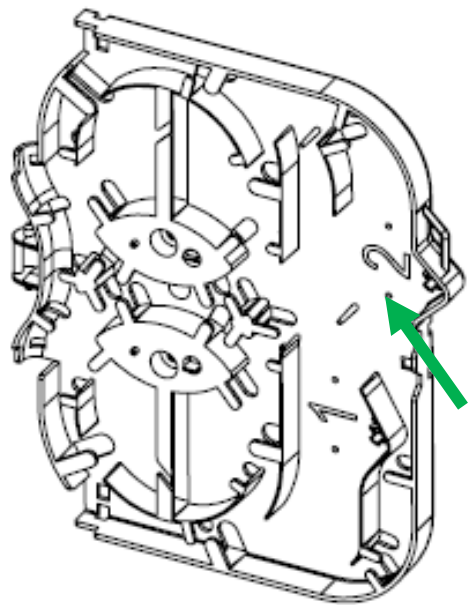
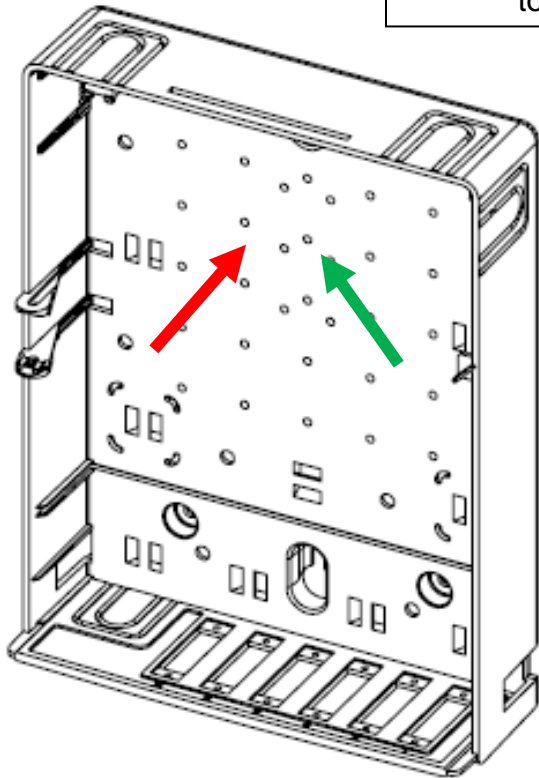
Before installing the bushings break out openings as needed. When using PG bushings must be installed bushings nut parallel to an edge of the lid.



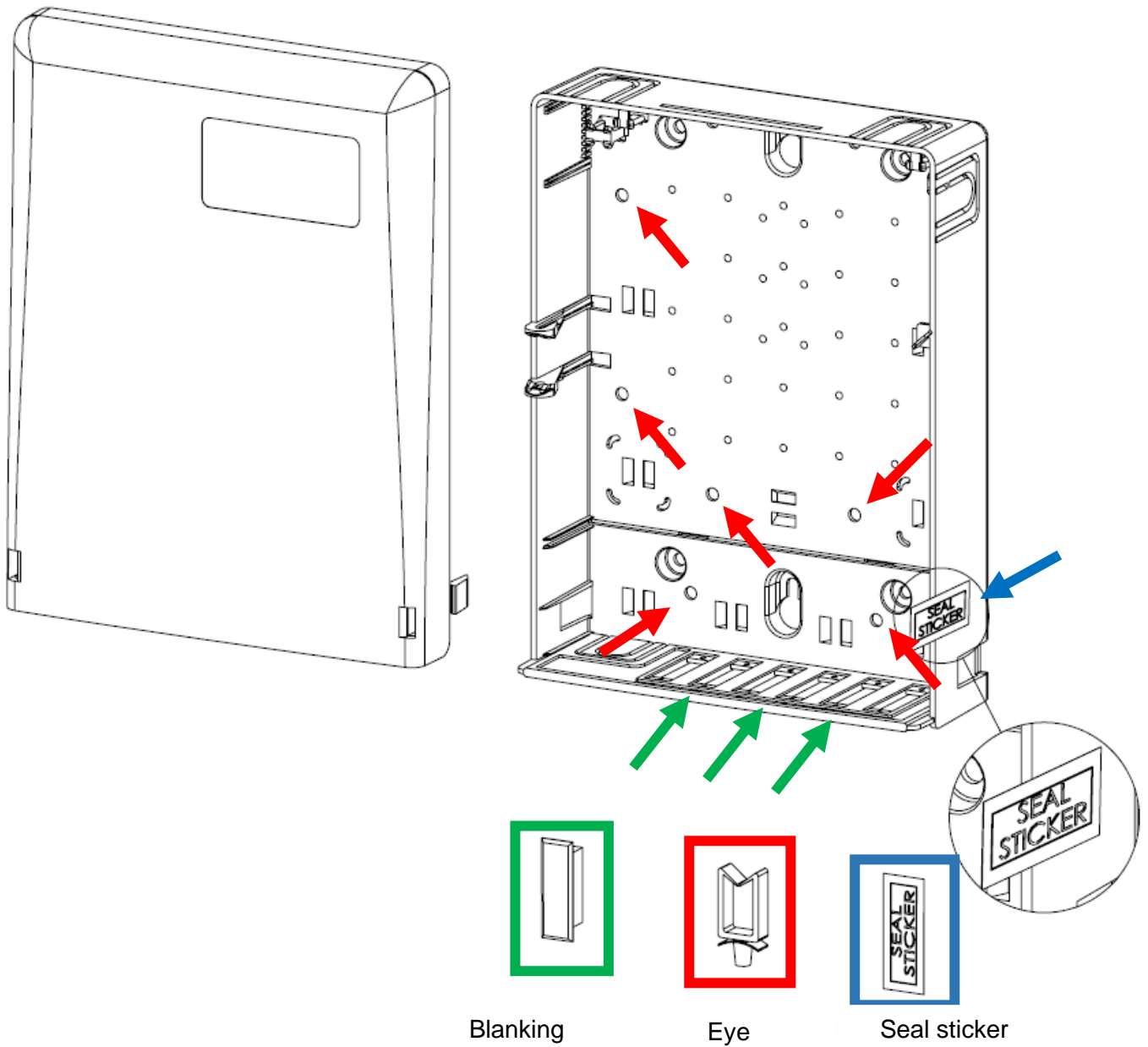
Individual components can be placed in the box as drawing.



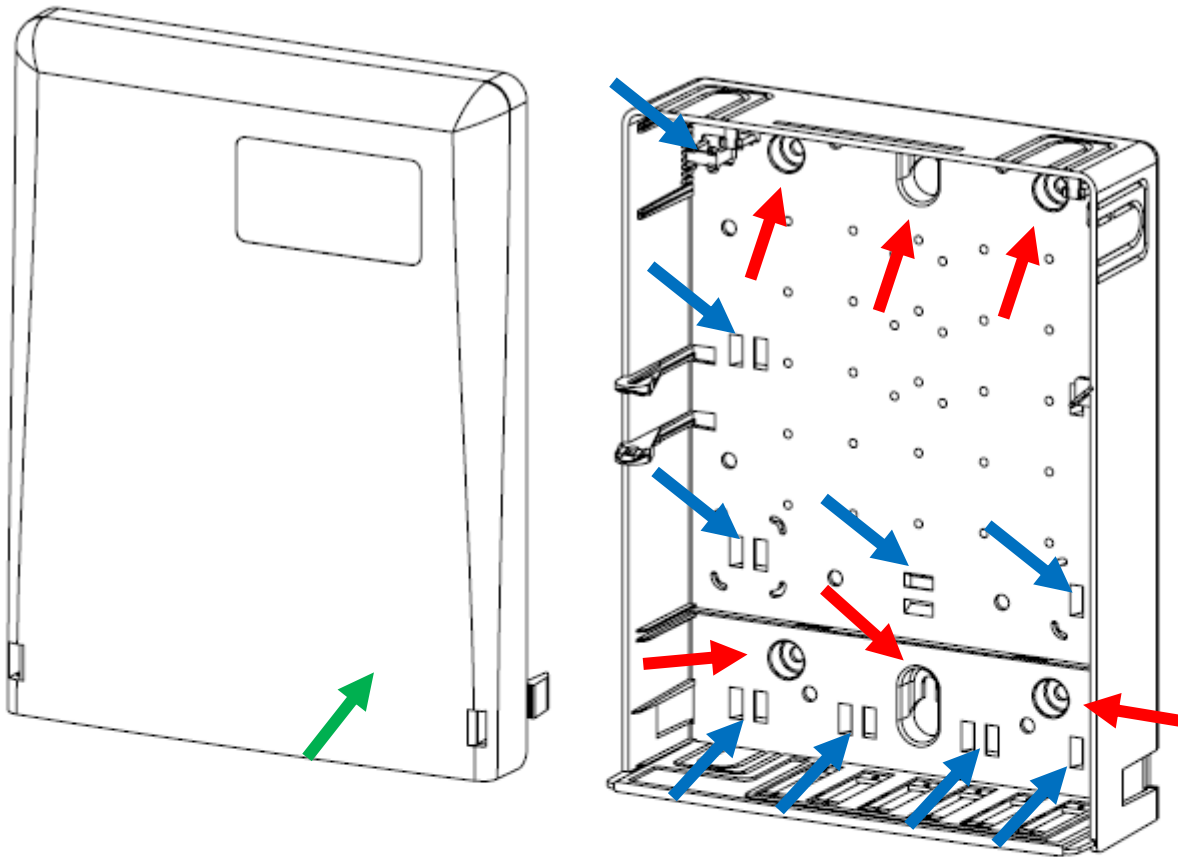
Double-sided tape is designed to fix the splitter.



Individual components can be placed in the box as drawing.



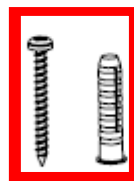
Individual components can be placed in the box as drawing.



Seal sticker



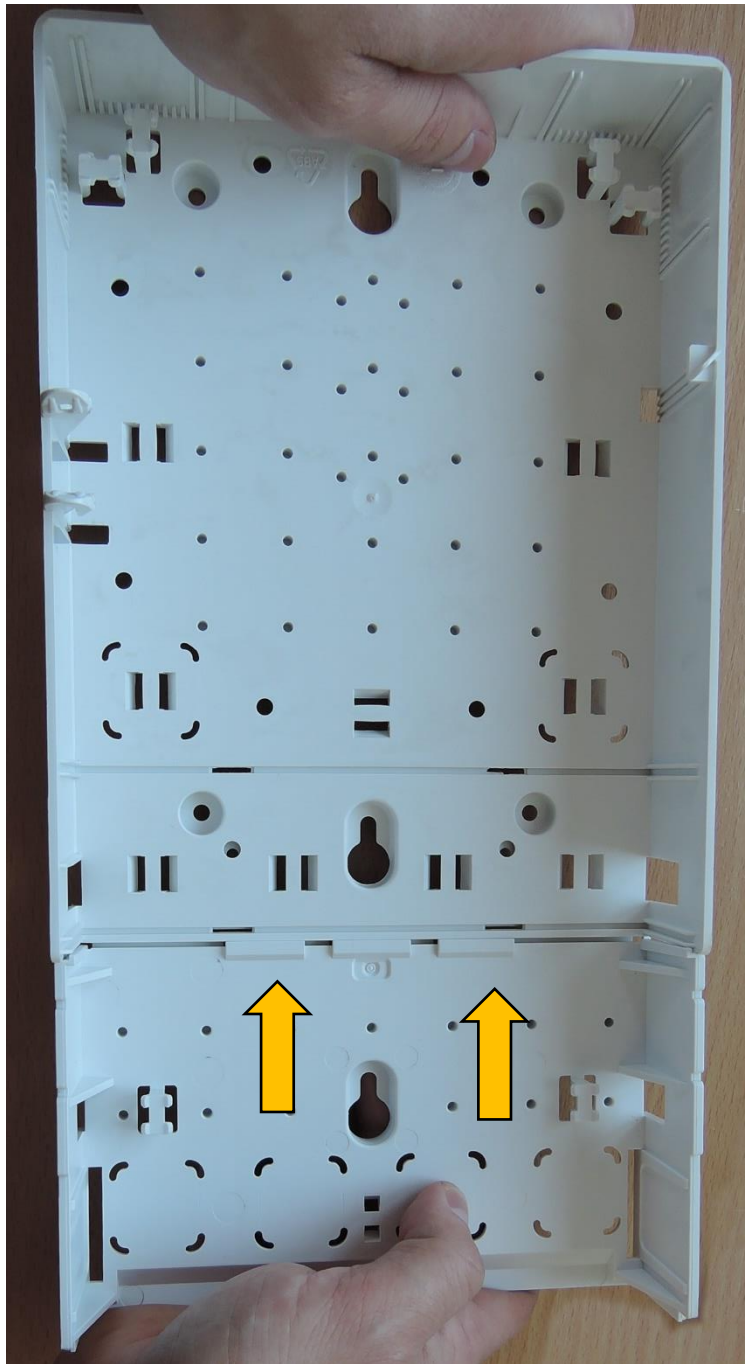
Screws, wall plug



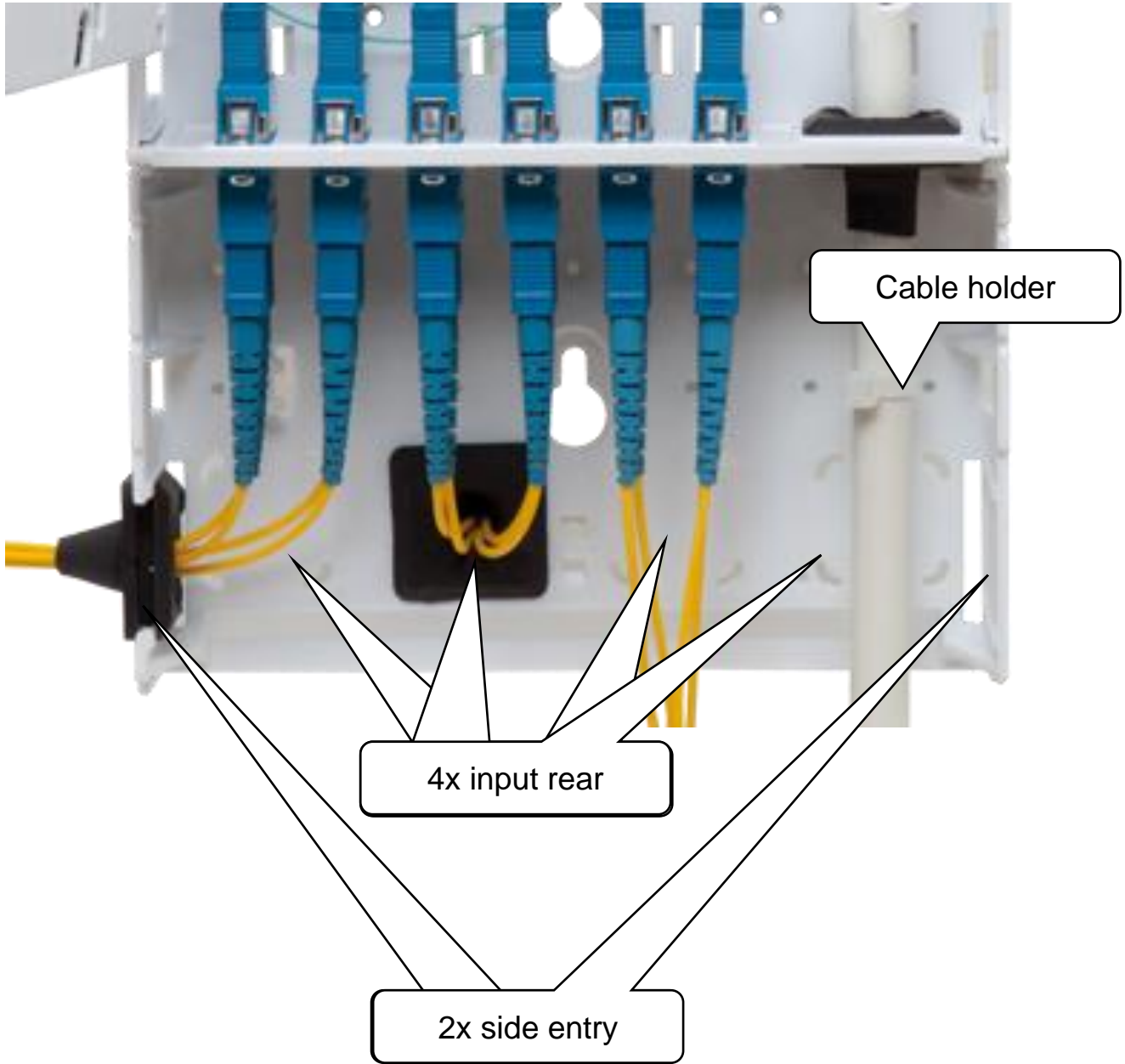
Draw bands



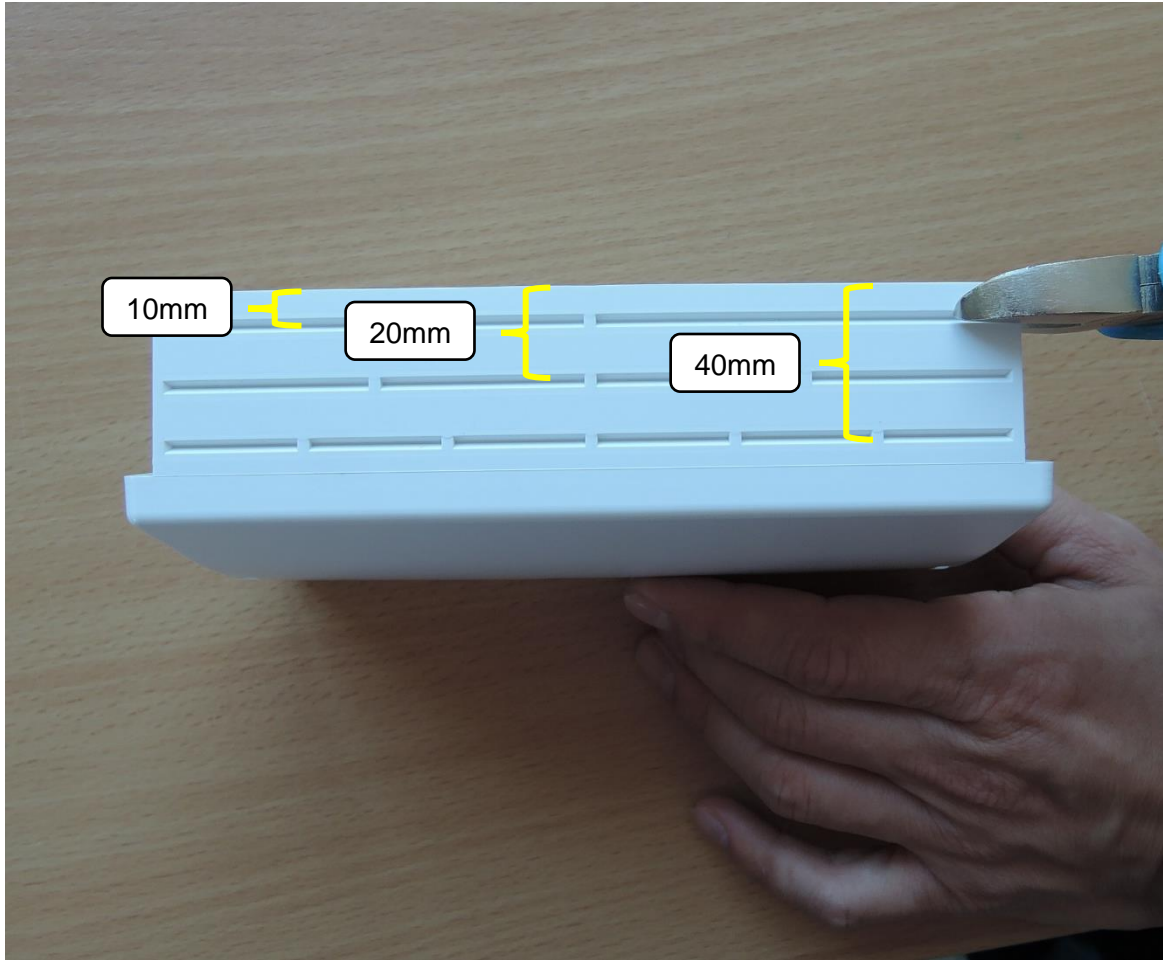
Individual components can be placed in the box as drawing.



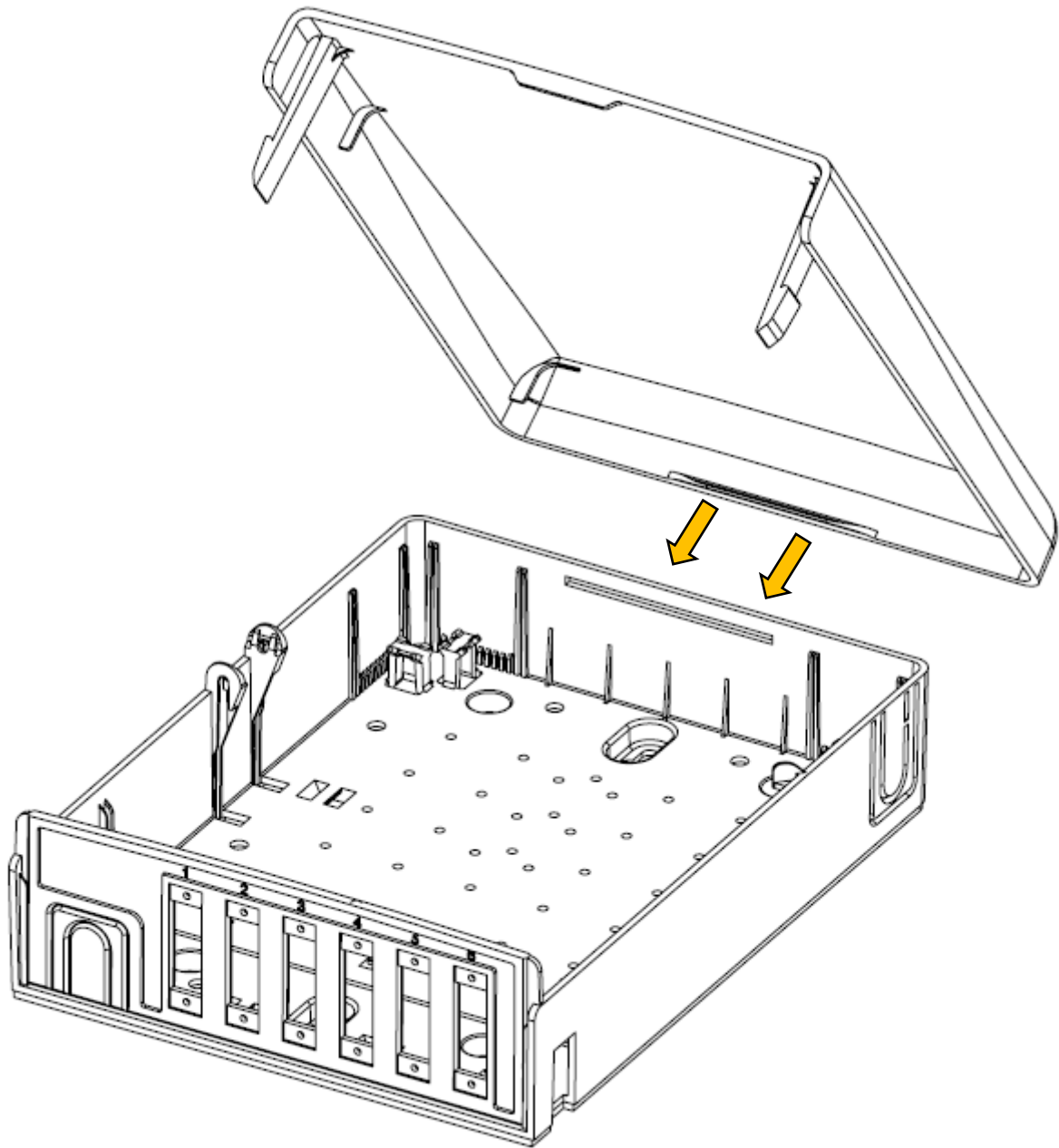
Attaching the adapter cover (cable covers is optional accessories).



Possible inputs to the adapter cover.



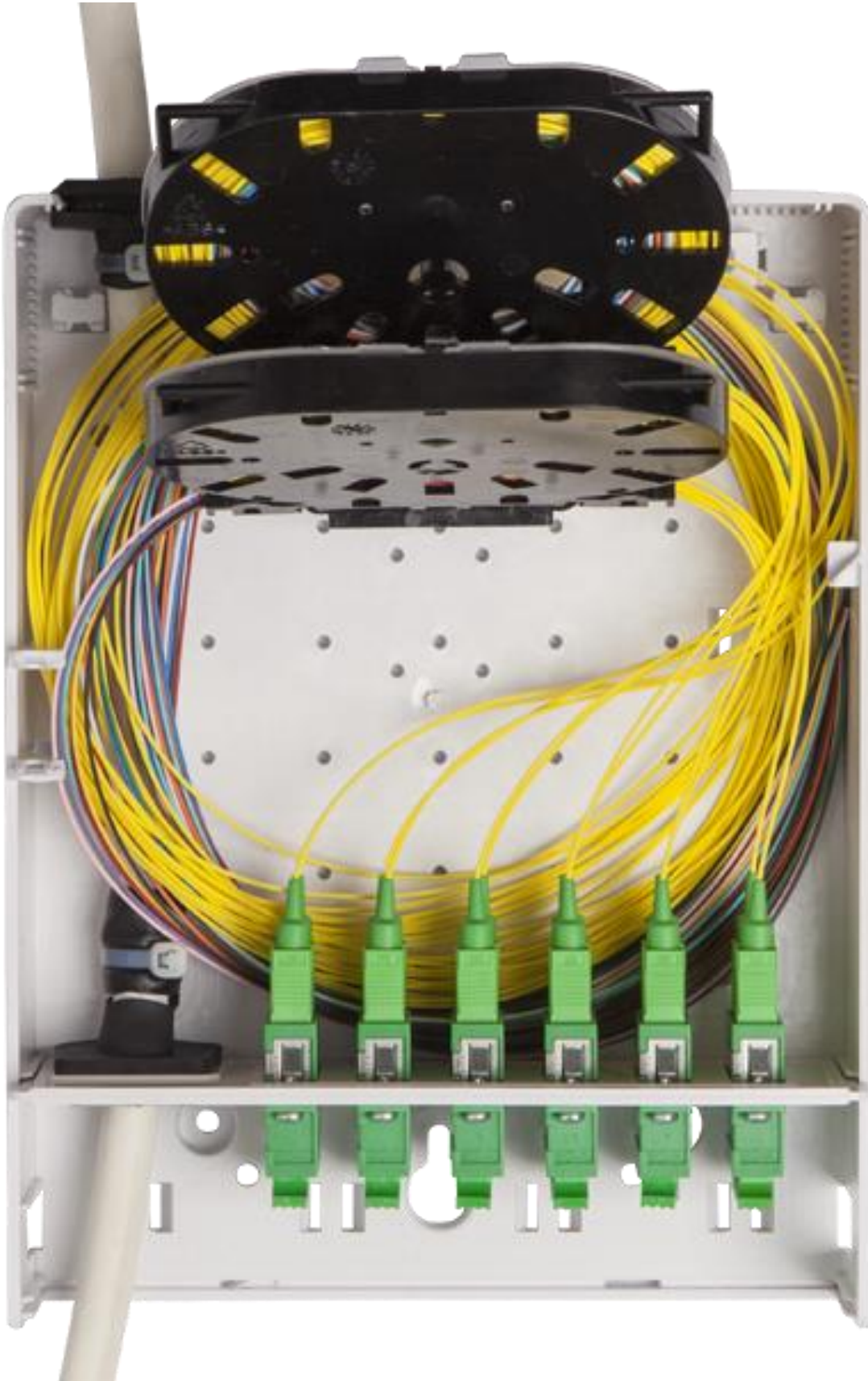
On the front cover of the adapters, create the necessary hole for installation on the bar (10mm, 20mm, 40mm).



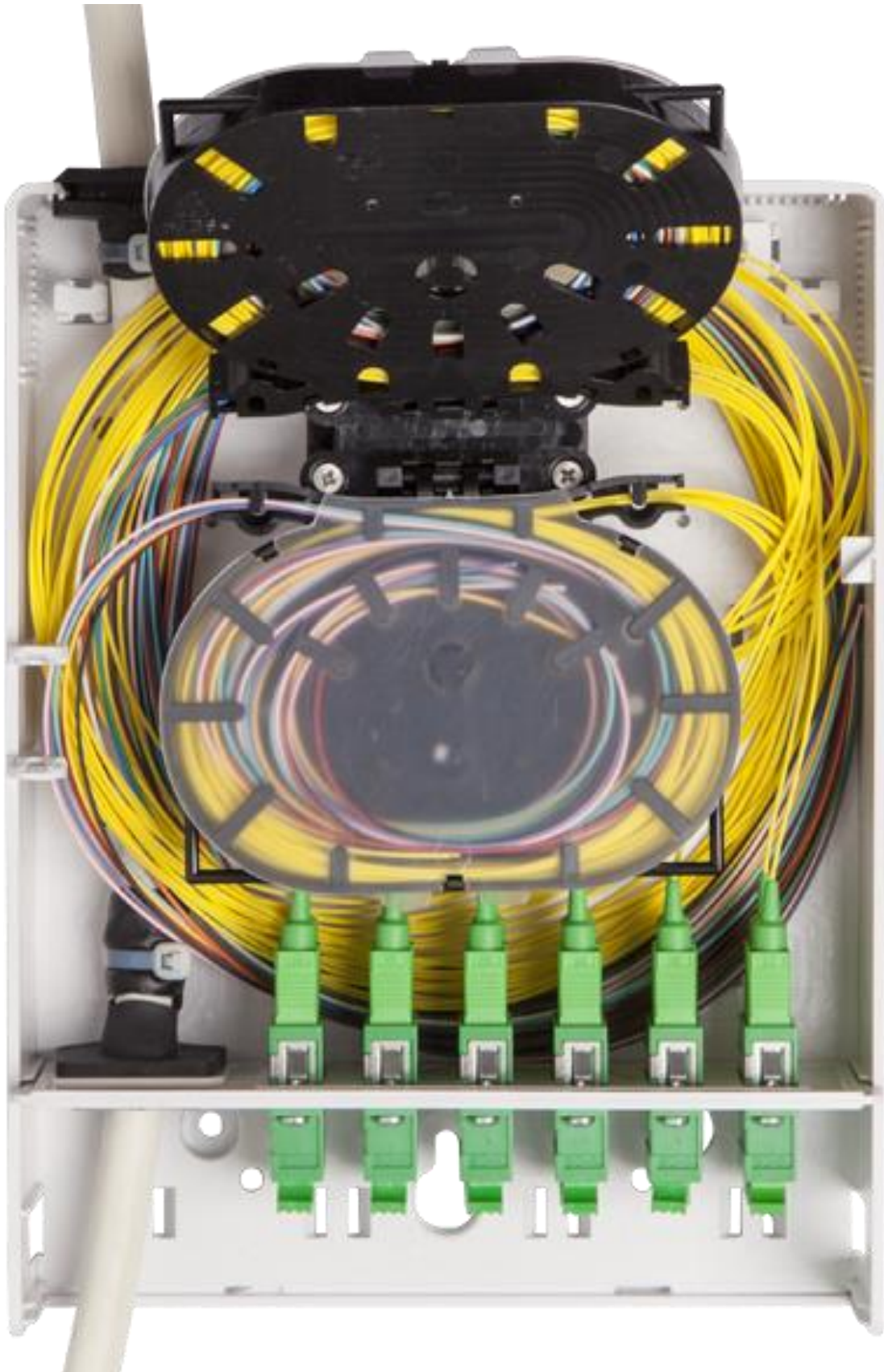
Install the lid and closing the box.



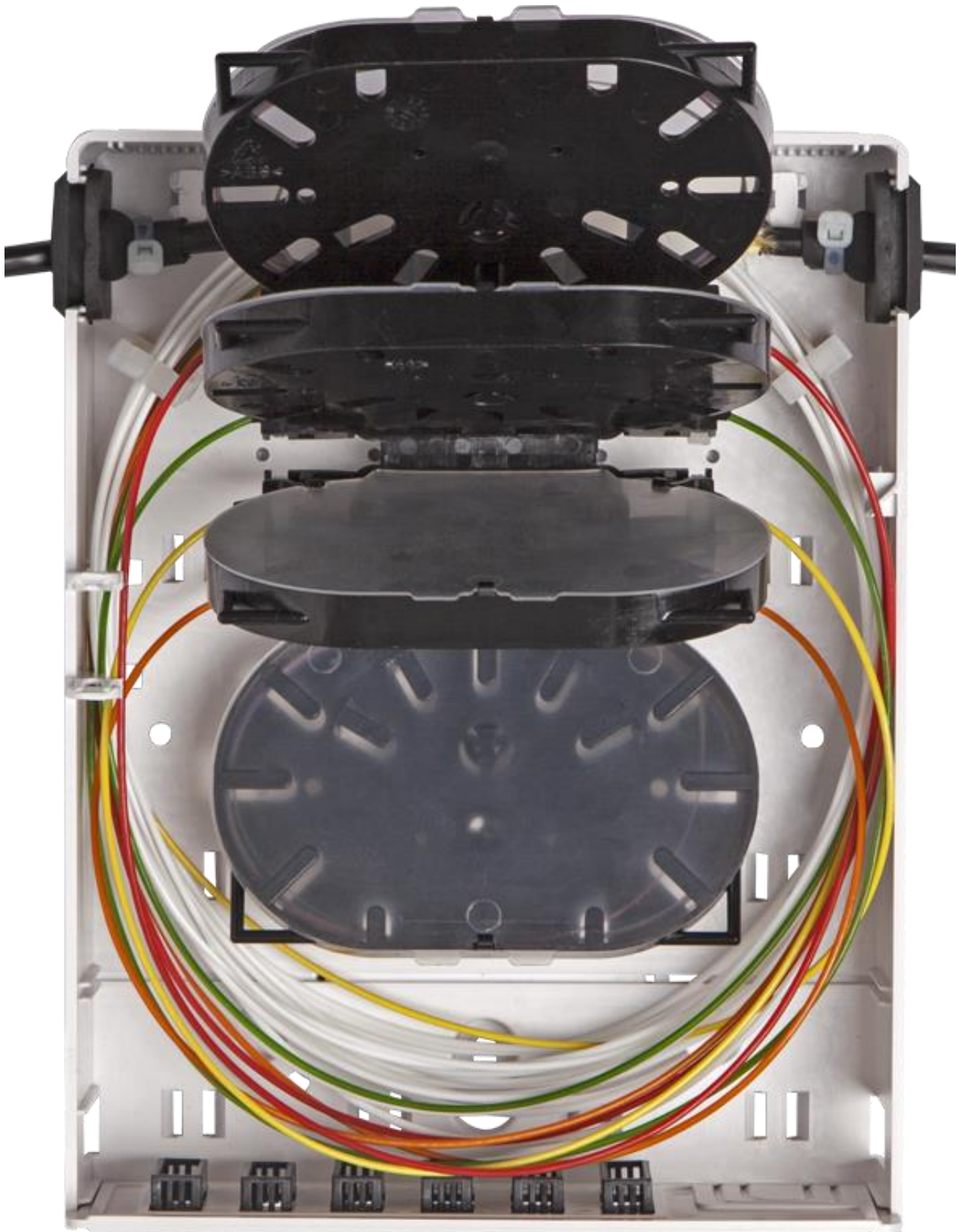
Example of equipment.



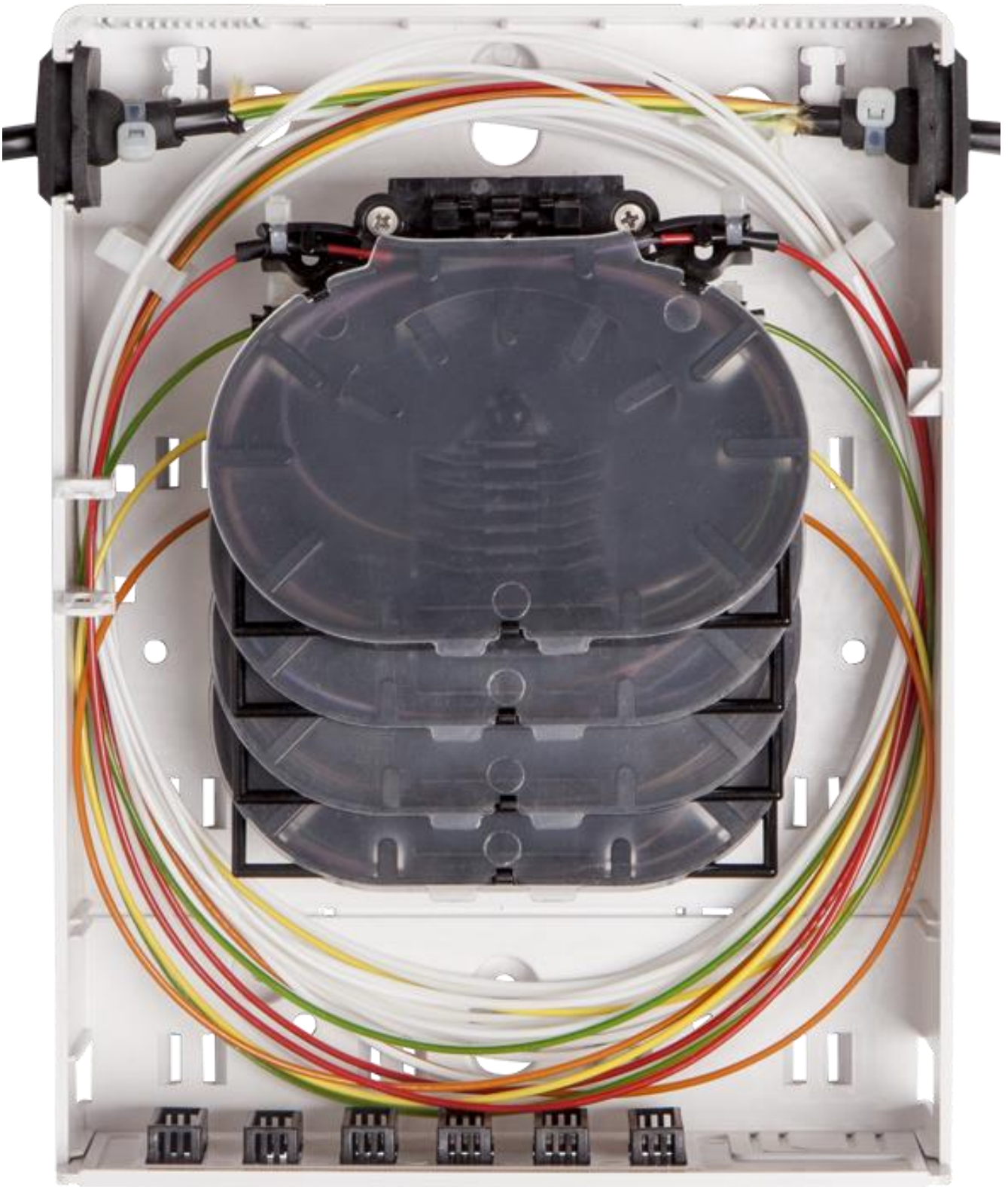
Patching with covered adaptors
(24 splices, only fibers G.657 a, b; 6xSC duplex)



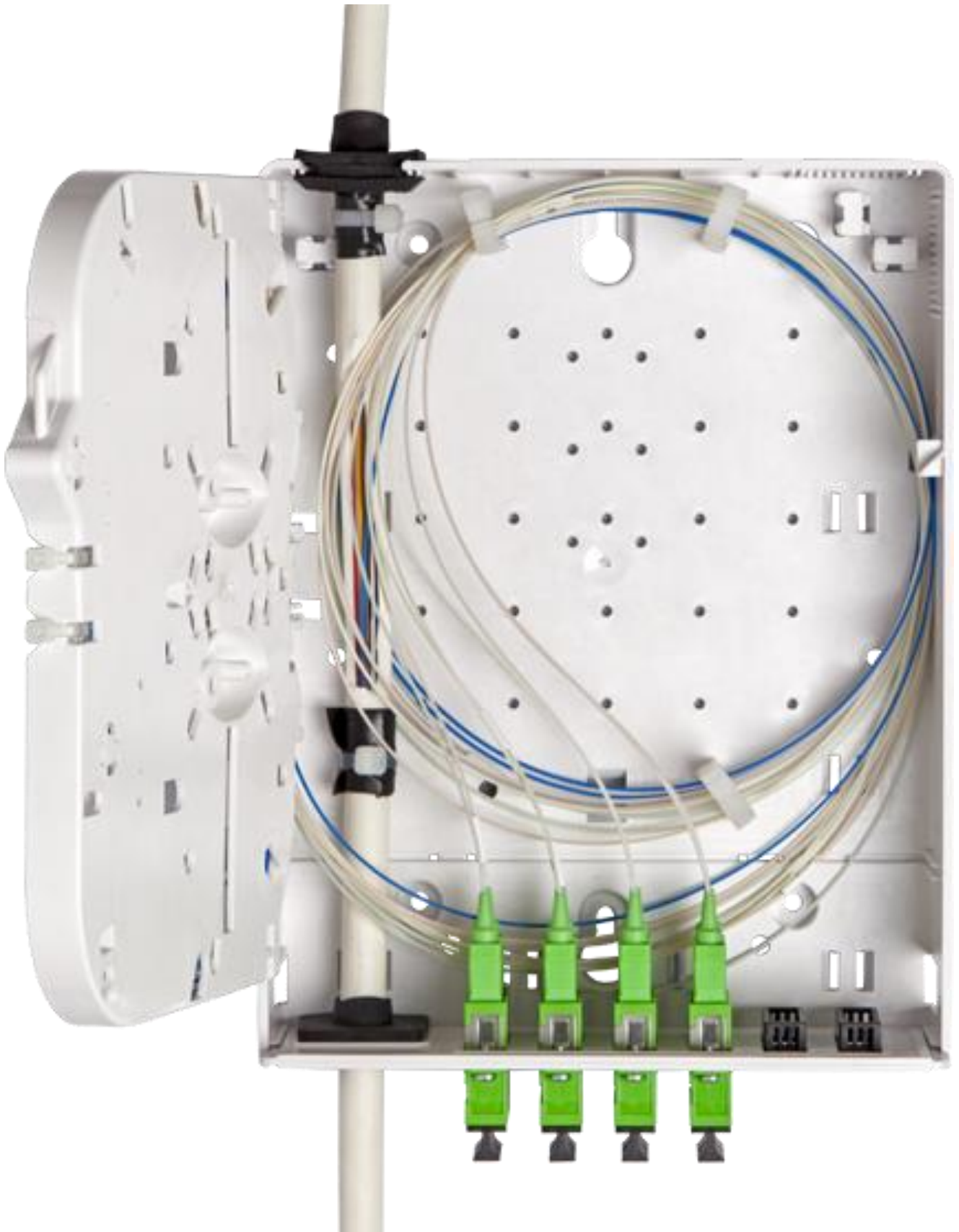
Patching with covered adaptors
(24 splices, only fibers G.657 a, b; 6xSC duplex)

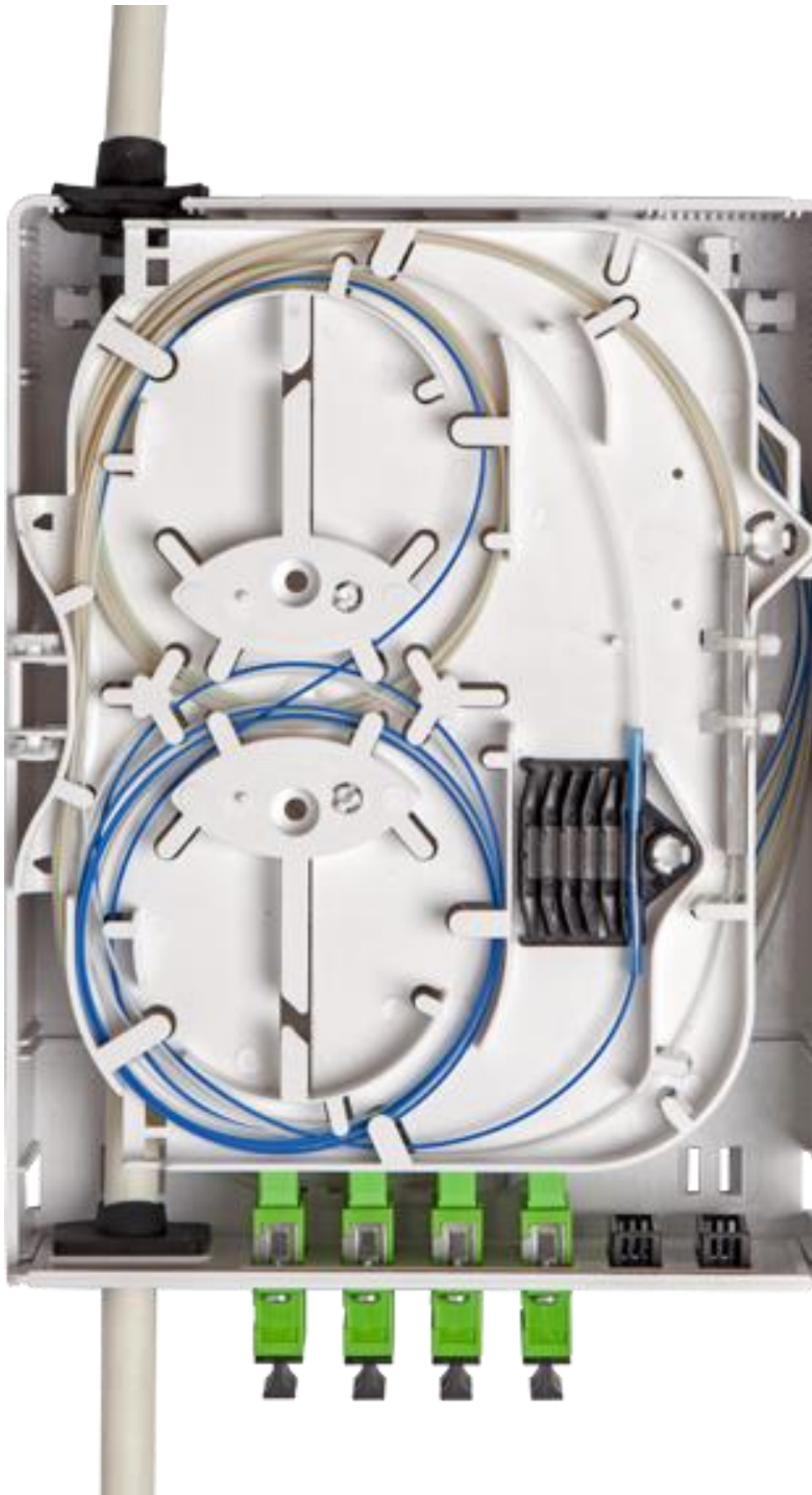


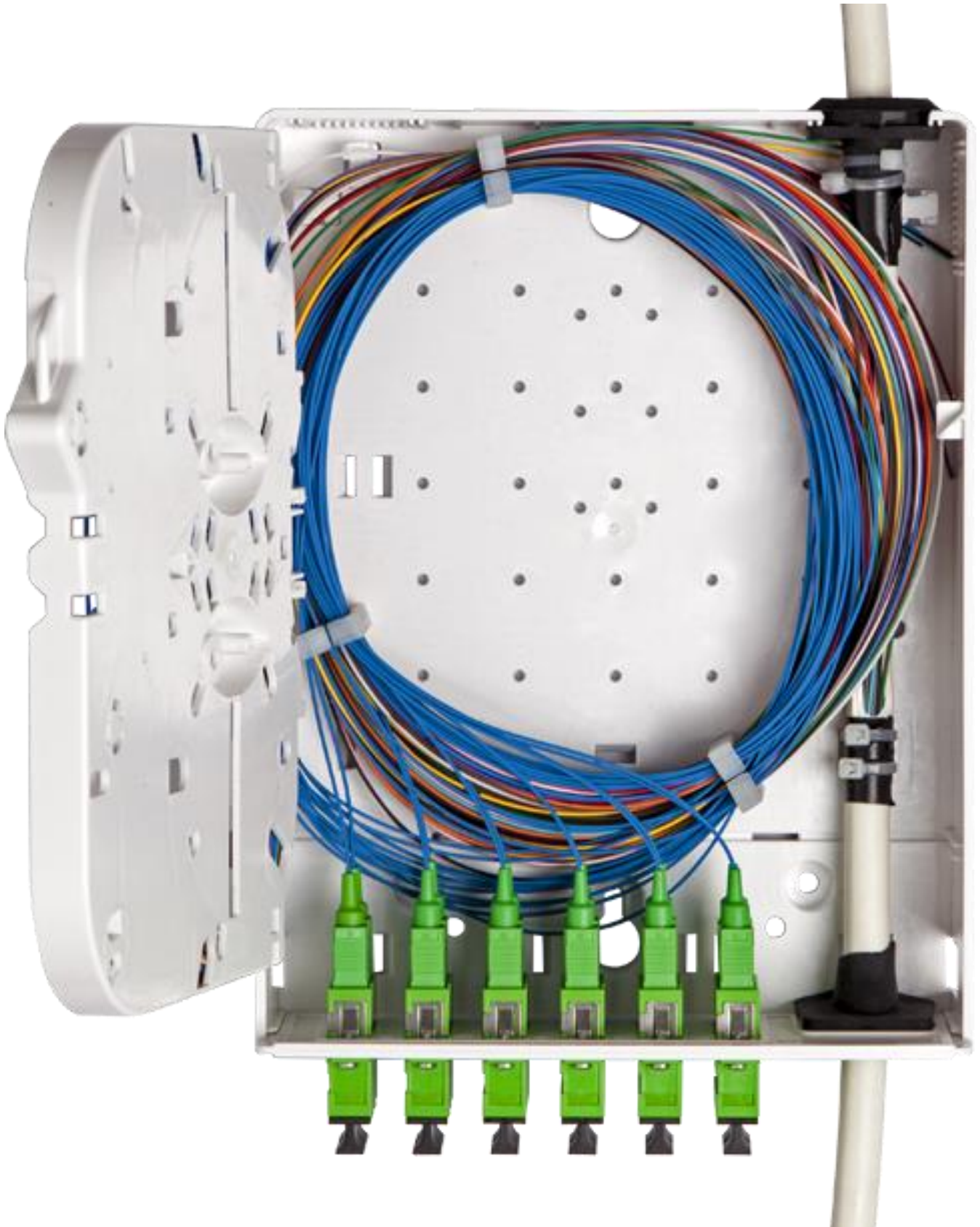
MTeH EASY 48S
(48 splices, only G.657 a, b)



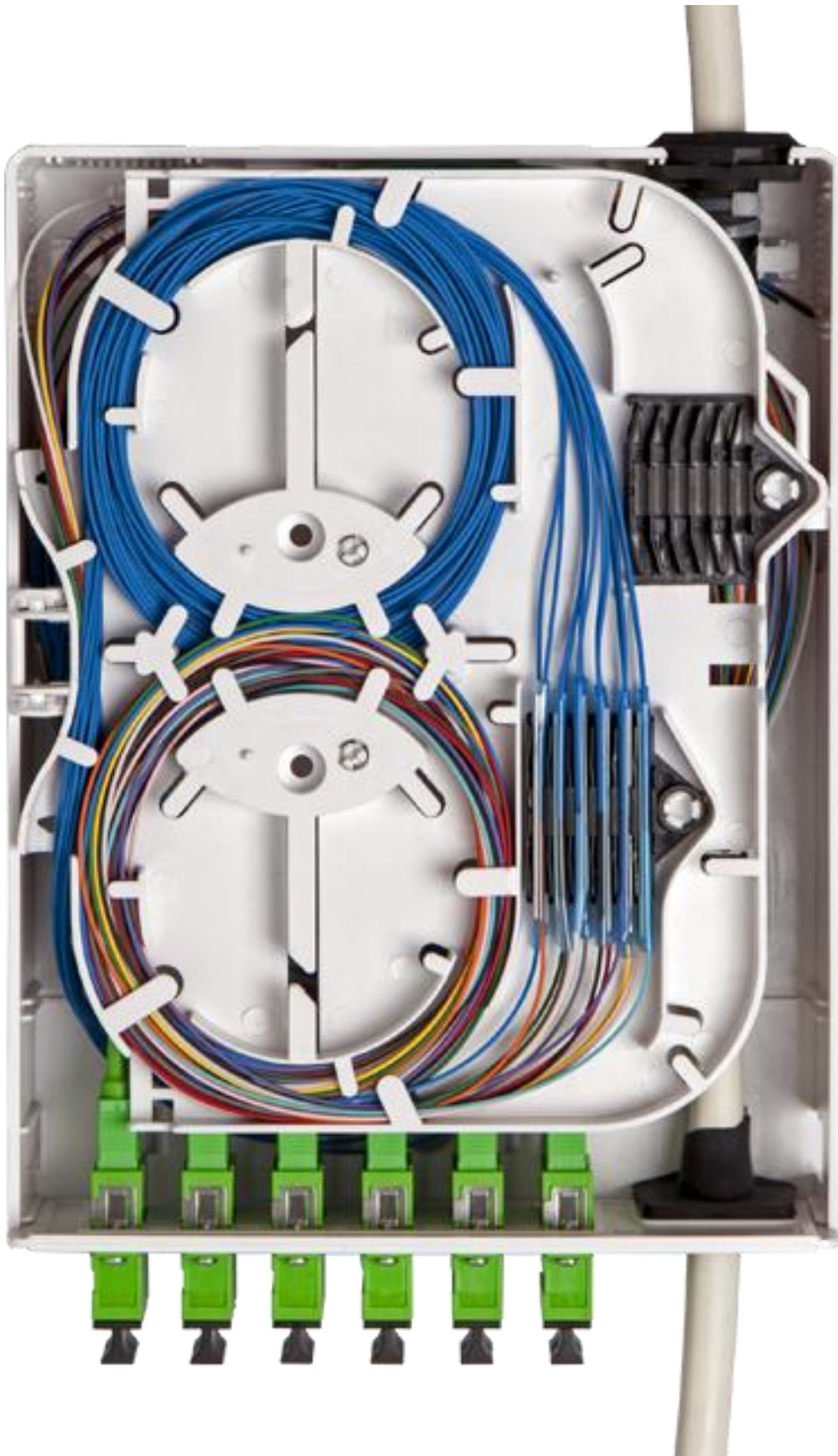
MTeH EASY 48S
(48 splices, only G.657 a, b)



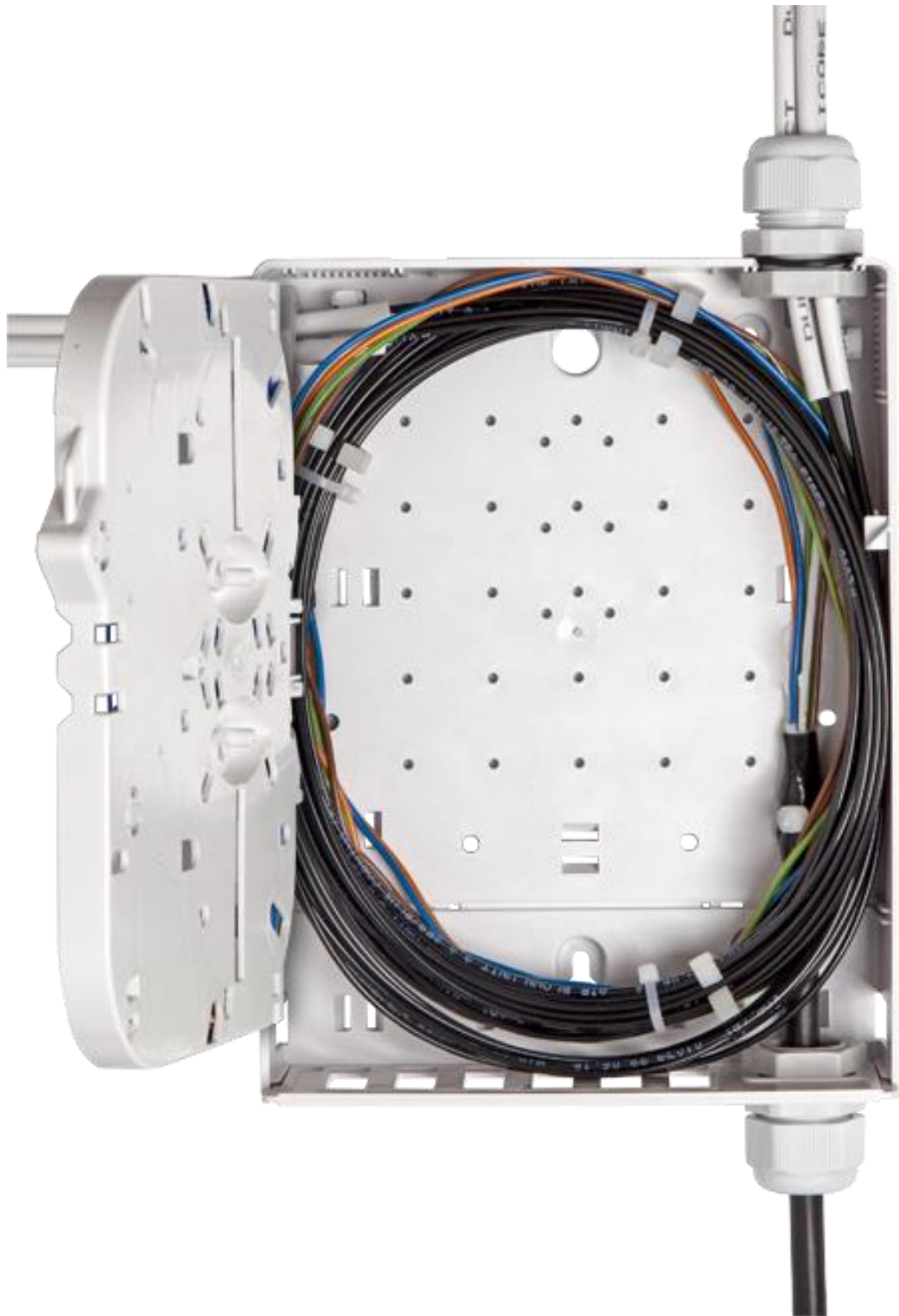




MTeH EASY 24S/12C
(24 splices; 6x SC duplex)

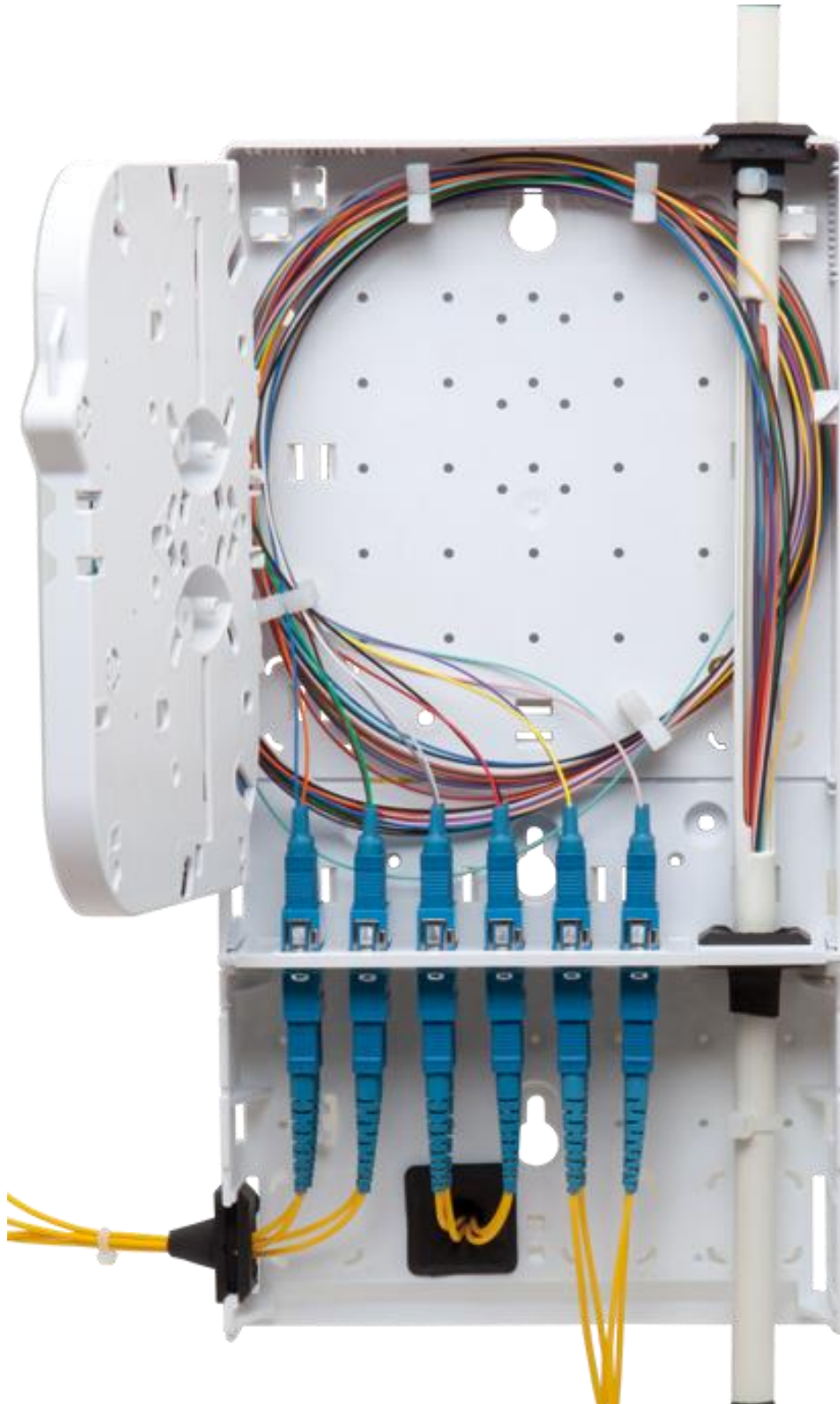


MTeH EASY 24S/12C
(24 splices; 6x SC duplex)





Box reserves.



MTeH EASY with adapter cover.

Installation work may only be performed by an authorized person.