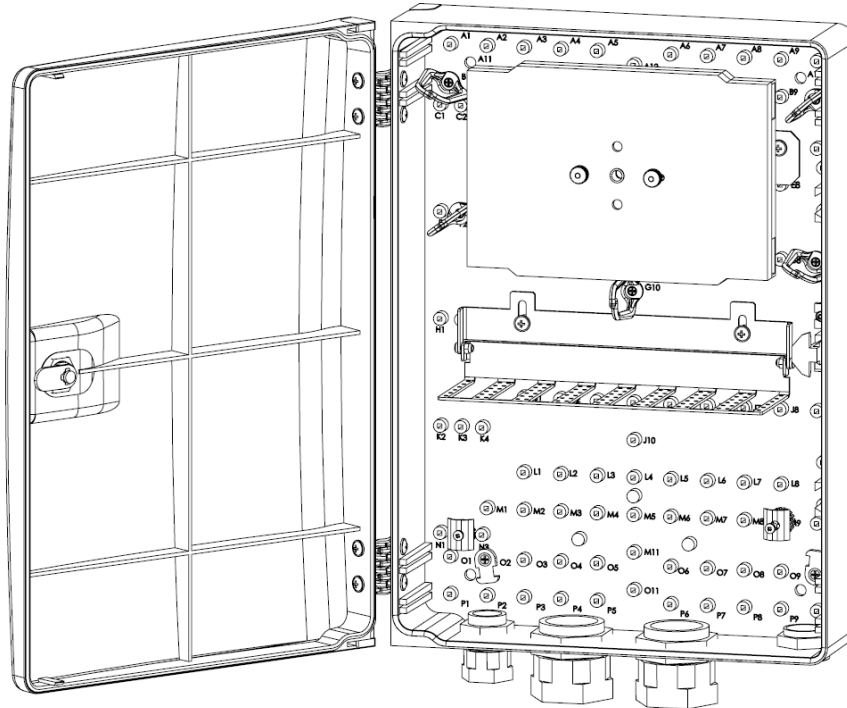




## URM LH 48CM



**Contact:**

MICOS TELCOM s.r.o.

Háj 365

798 12 Kralice na Hané, Czech Republic

tel.: +420 582 307 511

E-Mail: [telcom@micos.cz](mailto:telcom@micos.cz); [www.micostelcom.com](http://www.micostelcom.com)

493378



## GB

### Technical description:

Optical distribution box URM LH 48CM is designed for the placement of optical connectors. It is designed to be wall-mounted indoors or outdoors. The distribution box is provided with a cylindrical lock.

**Type:** URM LH 48CM  
**Inputs and outputs:** 2x PG 16  
2x PG 29/24  
**Colour:** RAL 7035, smooth  
**Dimensions:** 380x250x90mm  
**Weight:** 1.9kg

### Accessories:

Accessory bag 1pc

### Declaration on product conformance:

The product was manufactured in compliance with valid technical documentation. An observation of designed technology procedures and material was followed according to the ISO 9001 standard.

### Warranty:

The manufacturer guarantees for product imperfections arised within period of warranty due to the demonstrably deficient material, error in design, or deficiencies in manufacture. Such a deficiencies shall be repaired by the manufacturer free of charge. The manufacturer is authorized to reject the complaint if the item was demonstrably damaged due to an unqualified infringement, rough manipulation, or by force majeure. The warranty period is 24 months (if not stated other way) starting from the date of product consignment to the customer. The warranty covers the product capability and conformance with agreed, or usual purpose.

### Note:

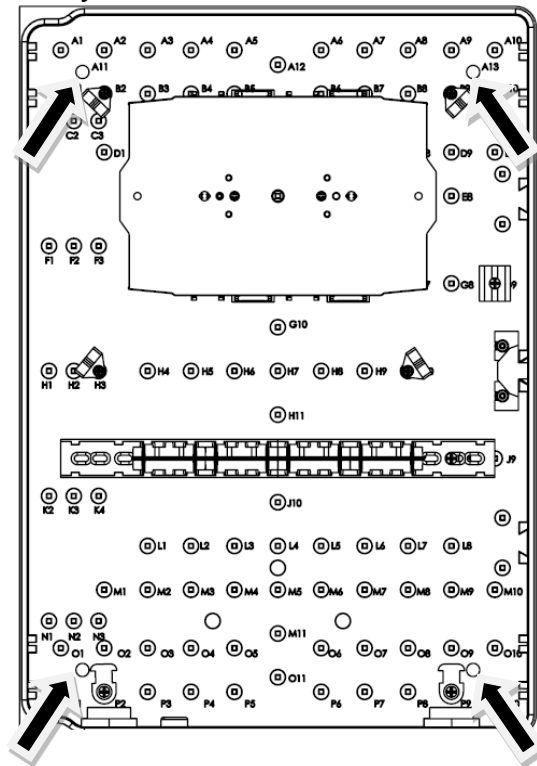
The product design may vary according to the requirement of the customer. The weight of single product execution may vary. Manufacturer is authorised to develop its products according to the requirements of the customer. Recording of all developing changes in this document is not necessary. Picture is only informative.



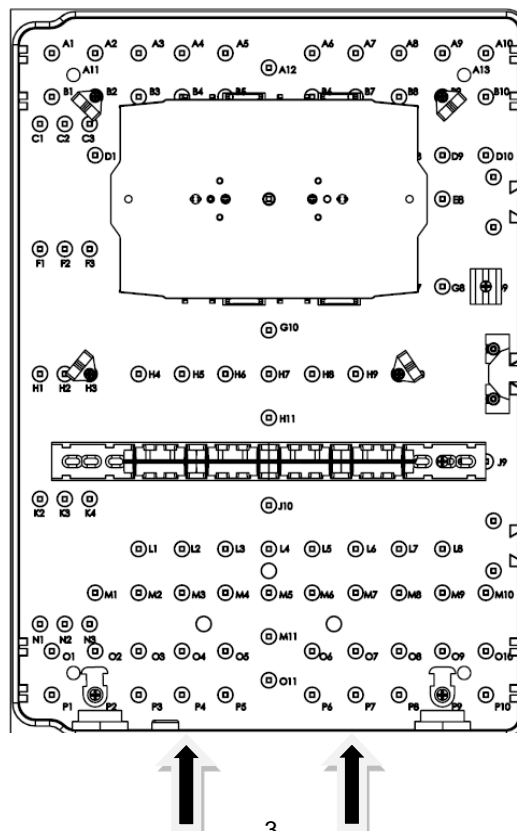


**Assembly procedure:**

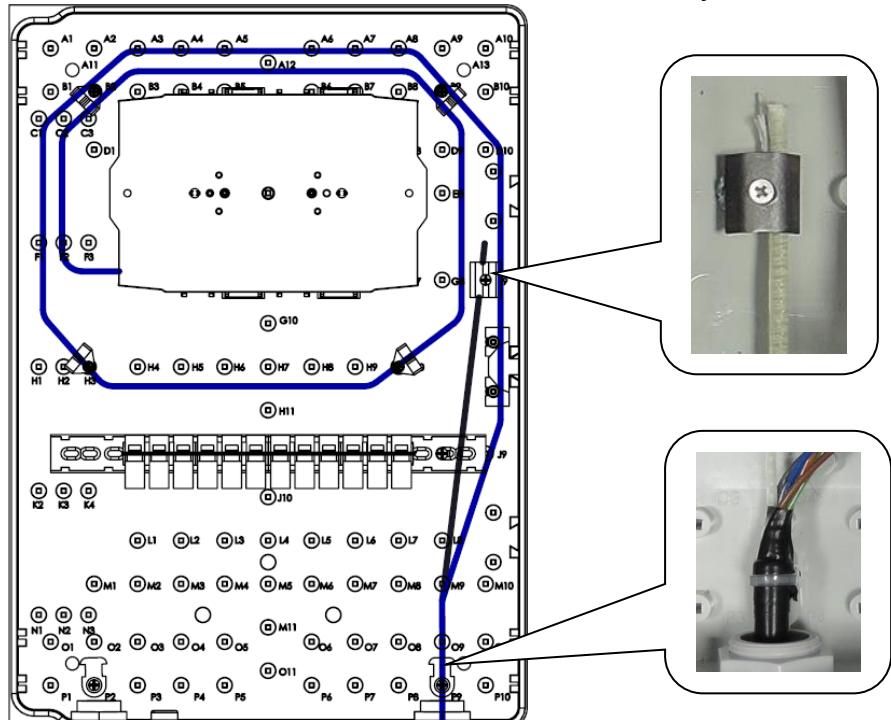
1. Drill four holes of 5mm in diameter into the rear panel of the distribution box. Attach the distribution box at the desired position using four wood screws of 4.5 mm in diameter. The holes for plugs drilled in the wall should be 8 mm in diameter. Picture is only informative.



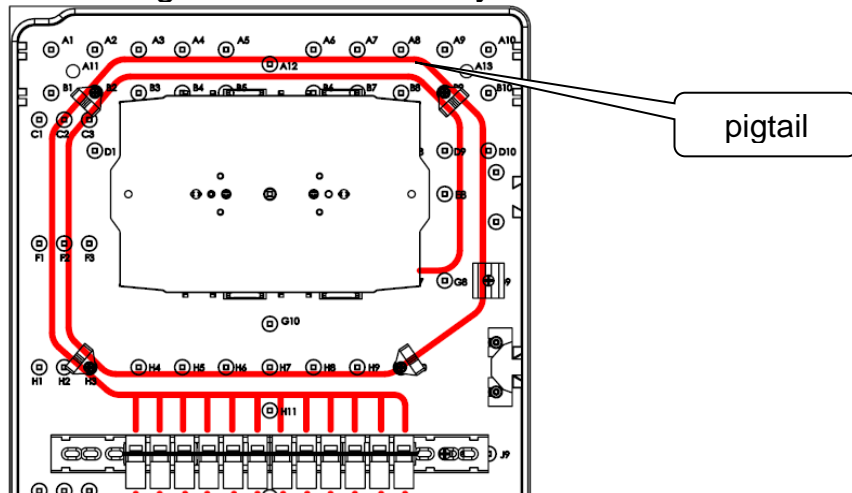
2. Using an appropriate tool, remove the outer jacket from the cable end and clean gel, if any, along at least 2.5 m. Remove the end caps from the feed-throughs and introduce the cables into the distribution box. Picture is only informative.



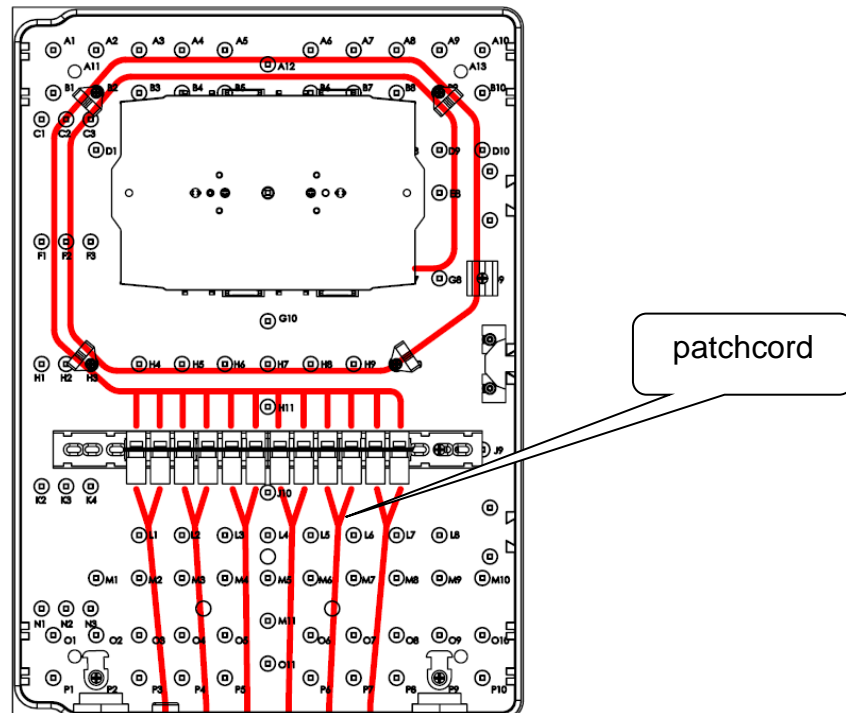
- Fix the cables with draw bands. Remove the protective tubing from the buffers along the required length, store the buffer reserve in the cable eyes and lead the fibres into the cassettes as shown. Picture is only informative.



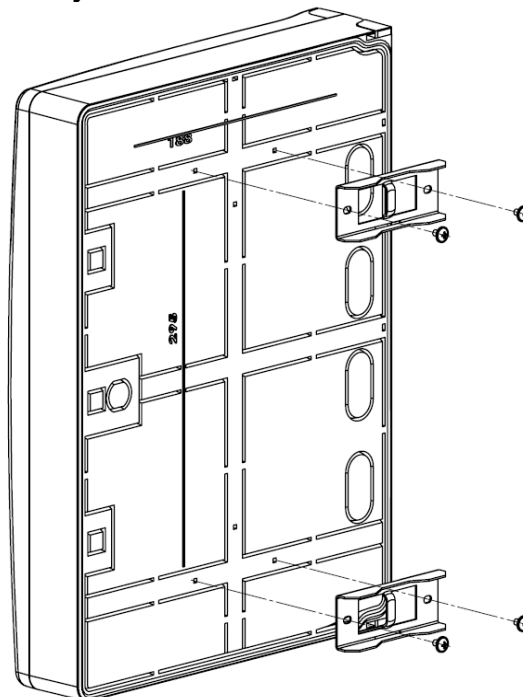
- Fit the connector panel with adapters (unless already fitted). Connect 2 m long pigtails to the adapters (unless already fitted). For inserting pigtail fibres in the cassettes, see the diagram. Picture is only informative.



- Introduce the patchcords into the distribution box via the feed-throughs. Install the patchcord connectors into the adapters. Picture is only informative.



- If the box is post-mounted, attach the holder to the box from outside using the jointing material. Attach the box to the post using installation tape (not included). Picture is only informative.



- The operations specified in paragraphs 1–6 may only be performed by an authorised technician.