



**NAC- 5003SA
WATERPROOF IP68
FINGERPRINT
ACCESS CONTROL**
User Manual



www.nordencommunication.com

INTRODUCTION

This NAC-5003SA is a new generation of multi -function standalone access control. It utilises the new ARM core 32-bit micro process, which is powerful, stable and reliable and contains reader mode and standalone access control mode. It can be widely applied to different locations such as an office environment, residential communities, educational facilities, banks and prisons.

Features

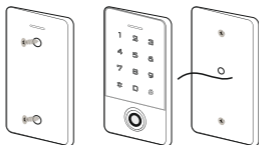
Feature	Specification
Card Type	Read 125KHz Card and HID Card (Optional)
	Read 13.56MHz Mifare card and CPU card (optional)
Keypad characteristic	Metal backing keypad
Out Way	Contain reader mode, the transmission format could be adjusted by users
Access Way	Support seven access ways
Admin Card	Support admin add card and admin delete card
User Capacity	10000 card users and 600 fingerprint users

Technical Specifications

Operating Voltage :DC 12-24v	Standby Currnt:< 35mA
Operating Current:<100mA	Operating Temperature :-40°C -60°C
Operating Humidity :0%-95%	Access way: fingerprint, card, code, or multiple Combination methods

Installation:

- Remove the back cover from the key using the supplied special screw driver
- Drill 2 holes on the wall for the self-tapping screws and 1 hole for the cable
- Put the supplied rubber bungs to into the two holes
- Fix the back cover firmly on the wall with 2 self tapping screws
- Thread the cable through the cable hole
- Attach the keypad keypad to the back cover. (See the finger below)

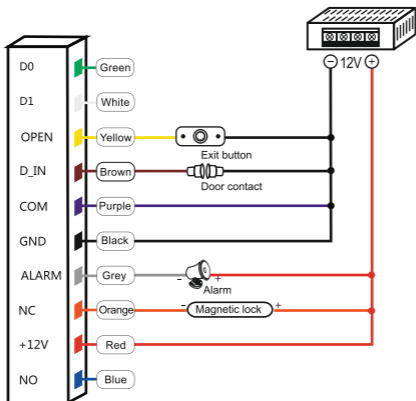


Wiring:

No.	Color	Marks	Description
1	Green	D0	Wiegand input (Wigand out as reader mode)
2	White	D1	Wiegand input (Wiegand output as reader mode)
3	Grey	ALARAM	Alam signal MOS tube drain output end (optional)
4	Yellow	OPEN (BEEP)	Exit button input end (Beeper input as reader mode)
5	Brown	D_IN (LED)	Door contact switch input end (LED input as reader Mode) (optional)
6	Red	+12V	Positive power supply or AC power supply end
7	Black	GND	Negative power supply
8	Blue	NO	Relay NO end
9	Purple	COM	Relay COM end
10	Orange	NC	Relay NC end

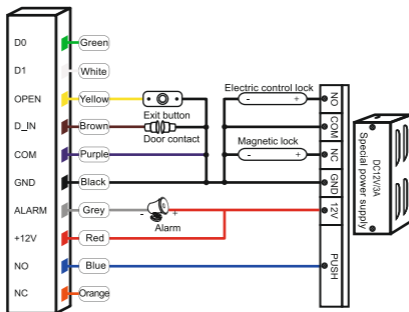
Diagram

Common Power Supply



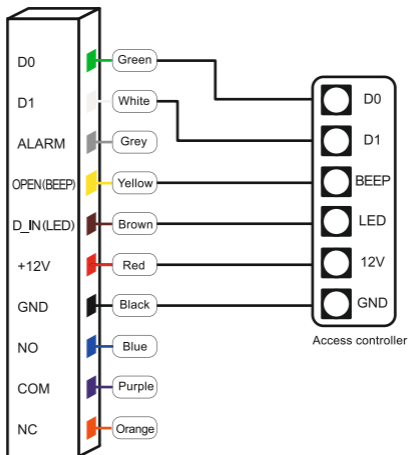
Note: The door contact and alarm function are optional

Special Power Supply



Note: The door contact and alarm function are optional

Reader Mode



Sound and Light Indication

Operation Status	Light Indicator	Buzzer
Stand by	Red	
Operation successful	Green	
Operation Failed		Beep—
Admin card enter Programming		Beep-Beep-Beep
Admin card exit programming		Beep-Beep
Press digital key		Beep—
Press *Key		Beep—
Press access code	Red indicator flash slowly	
Read card under card plus code mode	Red indicator flash slowly	
Read multi user cards	Red indicator flash slowly	
Enter programming mode	Red indicator flash slowly	
Enter setting status	Orange	
Unlocking	Green	
Buzzer alarm	red indicator flash quickly	Alarm

Admin Menu

Standalone Mode Settings

Device Management

Enter Programming	Menu	Operation Steps	Description	Default Value	
Press* Admin code# (Default Admin code is "9999999")	00	New admin code# new admin code#	Change admin code	999999	
	01	Read card/Input a fingerprint twice*	Set admin add card or admin add fingerprint		
	02	Read card/Input a fingerprint twice*	Set admin delete card or admin delete fingerprint		
	03	0#		Reader Mode	
		1#		Standalone access control mode	1
		2#		Relay toggle mode	
	08		WiFi Matching	Optional	
	09	Unlocking code# (4-6 digits)	Public Code		
	11	Read Card / Input a fingerprint twice	Add card users or fingerprint users continuously	"..." means repeating the previous operation, Press *key to exit	
		Press 8 or 10 digits card number	Add card users by card number		
		Press ID Number# read card/Input a fingerprint twice...*	Add card users or fingerprint users by specific ID number		
Press ID Number# press 8 or 10 digits card number#...*		Add card users by specific ID number and card number			

Access Ways

Enter Programming	Menu	Operation Steps	Description	Default Value
Press* Admin code# (Default Admin code is "9999999")	12	Read user card, input the first fingerprint twice, input the second fingerprint twice.*	Match fingerprints to a card (Maximum 2 fingerprints)	999999
	13	Press ID number # press 8 or 10 digits card number# input card quality#	Add conductive number card	
	Delete Users			
	21	Read card/Input a fingerprint once...*	Delete Card users by reading card/ Delete fingerprint users by inputting fingerprint	"..." means repeating the previous operation, Press *key to exit
		Press 8 or 10 digits card number#...*	Delete card users by card number	
		Press ID Number #...*	Delete users by ID number	
20	0000#	Delete all users		

Advanced Settings

Enter Programming	Menu	Operation Steps	Description	Default Value
Press* Admin code# (Default Admin code is "9999999")	41	(0-300)#	Door opening time range: 0-300S 0 equal to 50mS	5
	42	0#	Alarming time sets 0S, means no alarm	0
		(1-99)#	Alarming time range : 1-99min	
	61	0#	Normal working mode	0
		1#	The external alarm and built-in buzzer will work if wrong operations are over 5 times.	
		2#	The device will be locked out for 10min if wrong operations are over 5 times	
	62	0#	Disable light indicator	1
		1#	Enable light indicator	
	63	0#	Disable the keypad back light	1
		1#	Enable the keypad back light	
		(2-99)#	Time of keypad back light: 2-99Sec	
	64	0#	Disable buzzer	1
		1#	Enable buzzer	

Reader Mode Settings

Enter Programming	Menu	Operation Steps	Description	Default Value
Press* Admin code# (Default Admin code is "9999999")	00	New admin code# new admin code#	Change admin code	999999
	01	Read card/Input a fingerprint twice*	Set admin add card or admin add fingerprint	
	02	Read card/Input a fingerprint twice*	Set admin delete card or admin delete fingerprint	
	03	0#	Reader Mode	1
		1#	Standalone access control mode	
		2#	Relay toggle mode	
11	Input a fingerprint twice,...*	Add fingerprint users continuously	*..." means repeating the previous operation, Press* key to exit.	
	Press ID number# Input a fingerprint twice...*	Add fingerprint users by specific ID number		
21	Input a fingerprint once ...* Input the 2 nd fingerprint...*	Delete fingerprint users continuously		
	Press ID number # ...*	Delete users by the specific ID number		
20	0000#	Delete All Users		
42	0#	Alarming time sets 0S, means no alarm		
	(1-99)#	Alarming time range: 1-99min		

Enter Programming	Menu	Operation Steps	Description	Default Value
Press* Admin code# (Default Admin code is "9999999")	51	(0-255)#	Set device number	
	52	(26-58)#	Wiegand output 26-58bits	
		0#	Keypad transmission format 4 bits	
		1#	Keypad transmission format 8 bits	
		2#	Virtual card number output	

Admin Card Operation

Add card

Read admin card Read the 1st user card Read the 2nd user card....Read admin add card

Note: The admin add card is used to add card users continuously and quickly. When you read the admin add card at the first time ,you will hear short "BEEP" sounds twice and the indicator light turns orange, it means you have entered into add user programming, when you read the admin add card at the second time, you will hear long "BEEP" sound once and the indicator light turns red, it means you have exited the add programming.

Delete card

Read admin delete card Read the 1st user card Read the 2nd user card....Read admin delete card

Note: The admin delete card is used to delete card users continuously and quickly. When you read the admin delete card at the first time ,you will hear short "BEEP" sound twice and the indicator light turns orange ,it means you have entered in to delete user programming, when you read the admin delete card at the second time, you will hear long "BEEP" sound once, the indicator light turns red, it means you have exited the delete user programming.

User Operation

Change the user code by card

Press * Read card Old code# New code# New code#

Note: The default code "1234" of matching card can't open the door unless revising other code.

Change the user code by fingerprint

Press * Input fingerprint Old code # New code # New code #

Note: The default code "1234" of matching fingerprint can't open the door unless revising other code.

Change the user code by ID number

Press * ID number Old code # New code # New code #

Note: ID number has to be known from admin before changing to the code, user can't be default code "1234".

Other Operation

Remove Alarm

Read admin card or Read valid user card or Input valid fingerprint or Press admin code #

Note : When the alarm is activated , user can remove the alarm by reading a valid card or input valid fingerprint or pressing valid admin code.

Reset to Factory Default

Power off, press and hold the # key or the exit button continuously , power on, release the key # or the exit button until hearing BEEP sound twice, the admin code has been rest to 999999, factory default settings are successful.

Touch series as below

Power on, press "# " key when LED light turns orange , the release it quickly , the factory default setting are successful until hear short BEEP sound twice.

Note : Registered user data won't be deleted when rest to factory default.