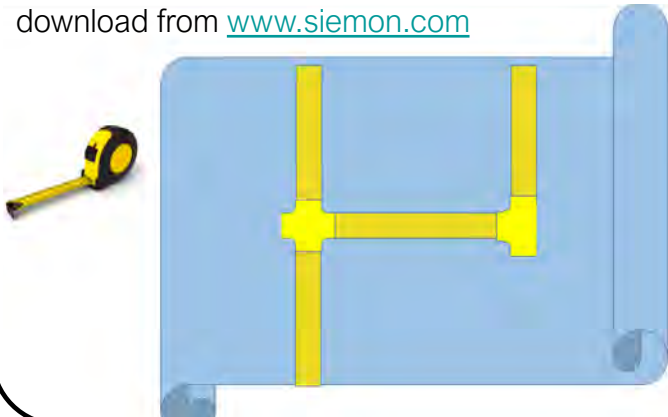


LightWays™ Instructions

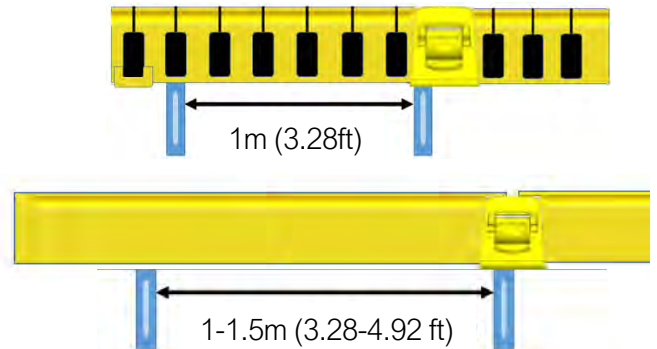


Create a Design

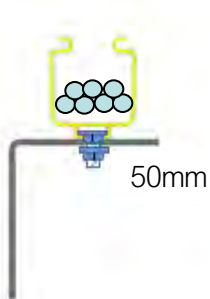
Visio and BIM models are available for download from www.siemon.com



Bracket Spacing

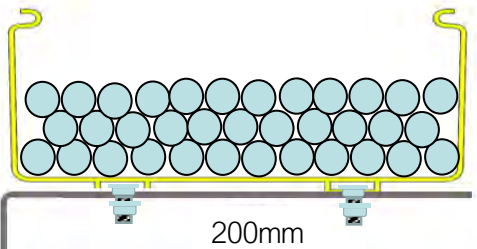


Ducting Capacity



50mm

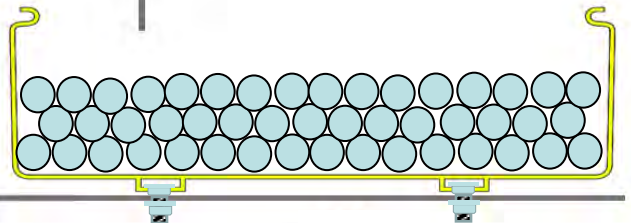
Cable Diameter (mm)	Duct Size (mm)			
	50	100	200	300
1.6	584	2296	4507	6685
2	374	1469	2884	4278
3	166	653	1282	1901
9.4	16	66	130	193
13.2	8	33	66	98
Capacity (number of cables, 50% fill)				



200mm



100mm

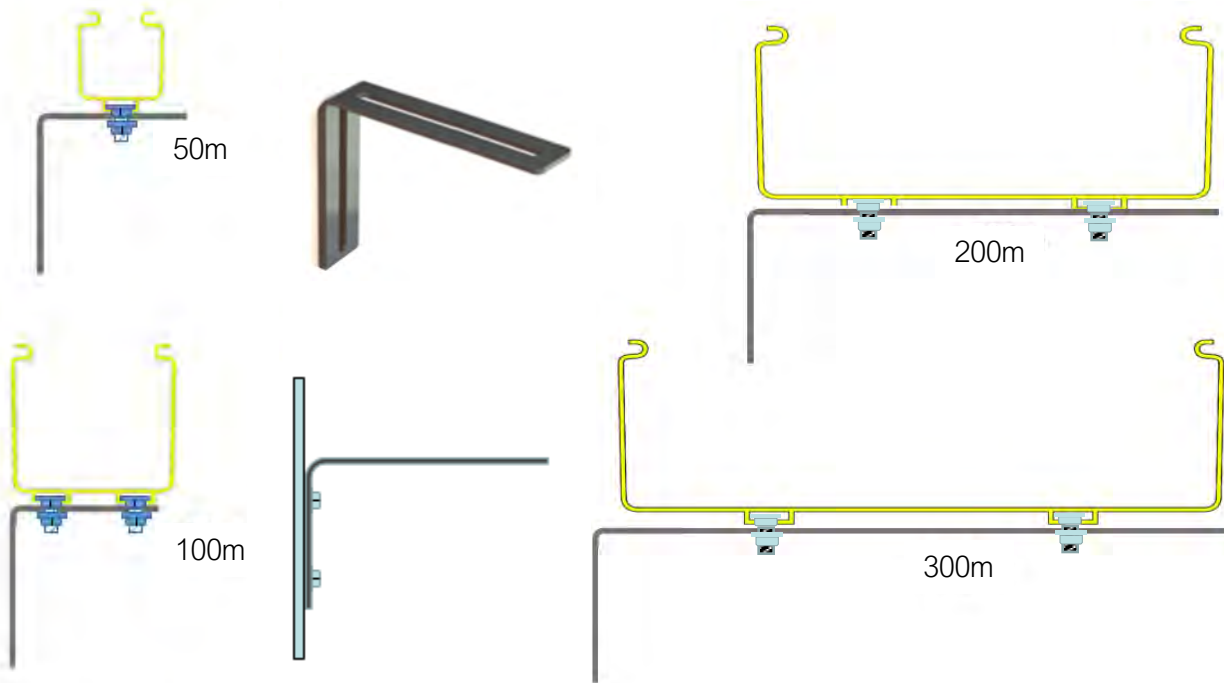


300mm

It is recommended that maximum pathway capacity planning not exceed a 50% calculated fill which reflects 100% actual fill.

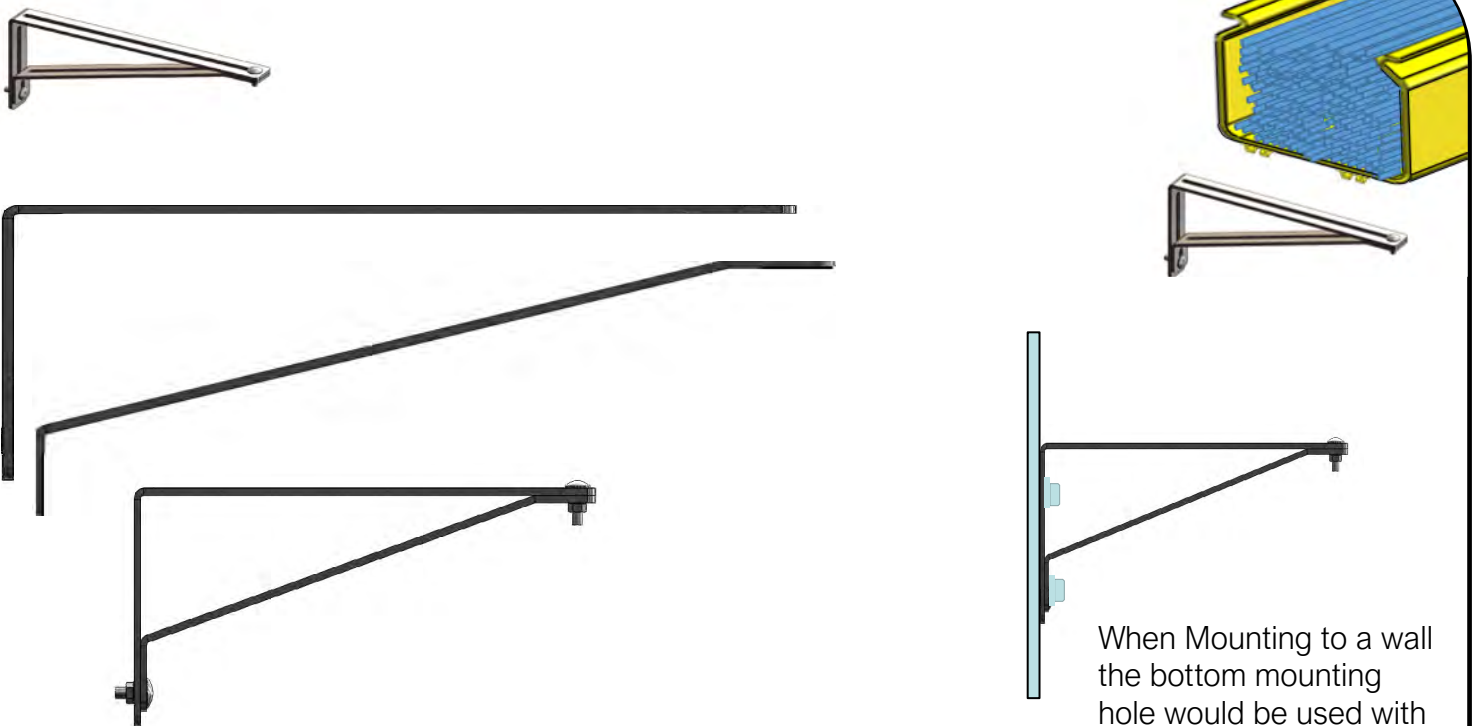
LightWays™ Instructions

Mounting Bracket Install: Wall



Brackets can be attached to various wall types; the installer must provide appropriate hardware for attaching brackets to wall. The wall must be uniform, flat, structurally stable, and have a structural load capacity that will support the bracket and ducting.

Mounting Bracket Install: Strength Bracket

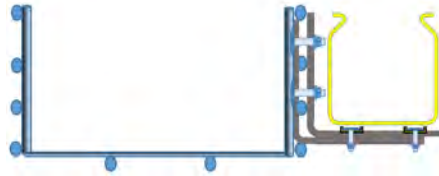
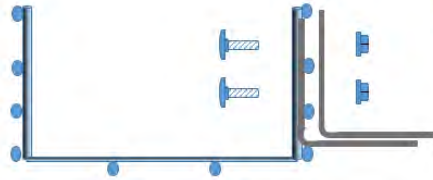
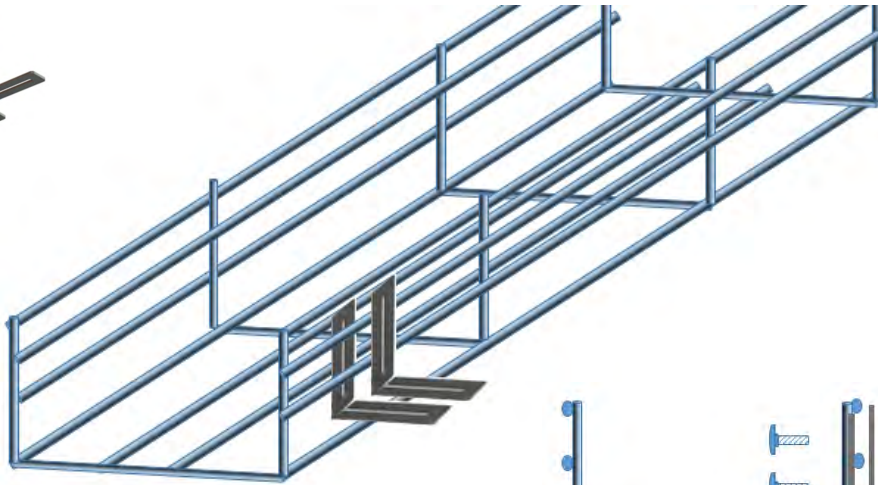


When using 200mm ducting with more than 25% cable fill and 300mm ducting with more than 20% cable fill the use of the strength bracket is recommended.

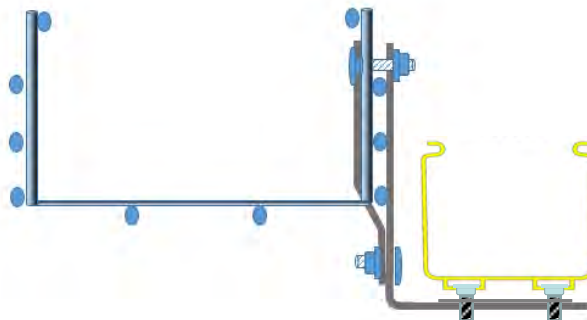
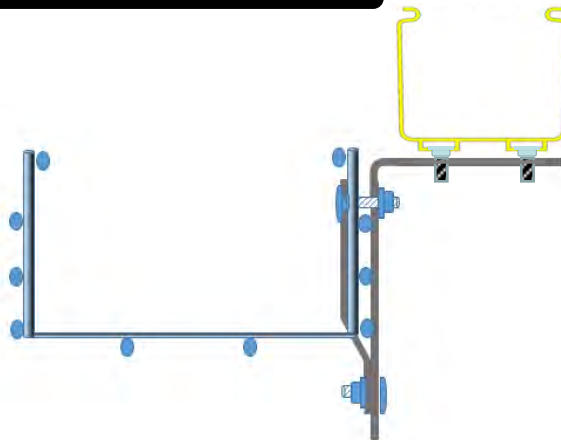
When Mounting to a wall the bottom mounting hole would be used with wall mounting hardware.

LightWays™ Instructions

Mounting Bracket Install: Wire Basket Option 1

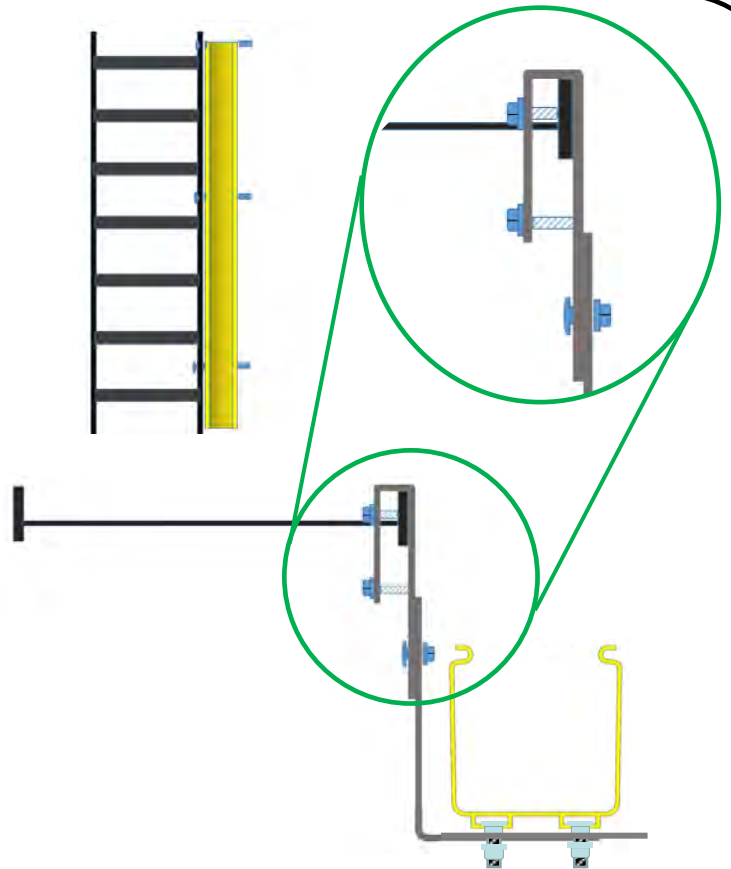


Mounting Bracket Install: Wire Basket Option 2



LightWays™ Instructions

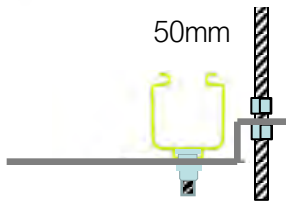
Mounting Bracket Install: Ladder Tray



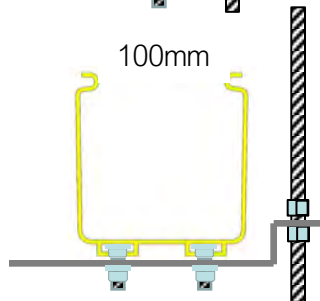
Mounting Bracket Install: Trapeze



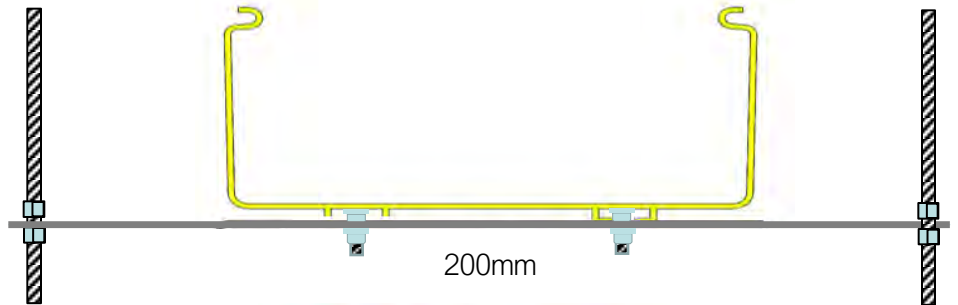
Threaded rod range (3/8 inch to 5/8 inch)
10mm-16mm)



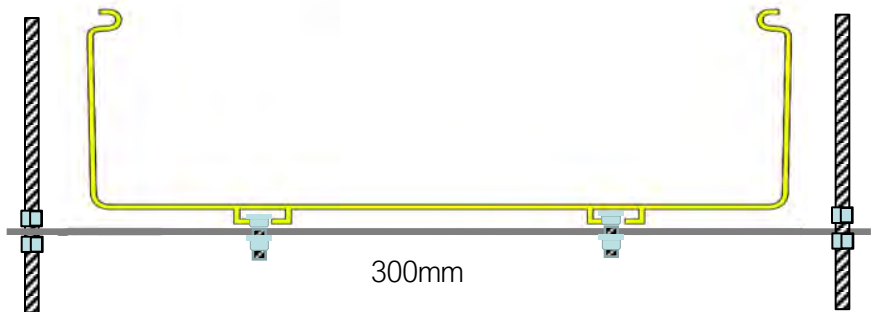
50mm



100mm



200mm



300mm

Threaded rod and hardware not included.

LightWays™ Instructions

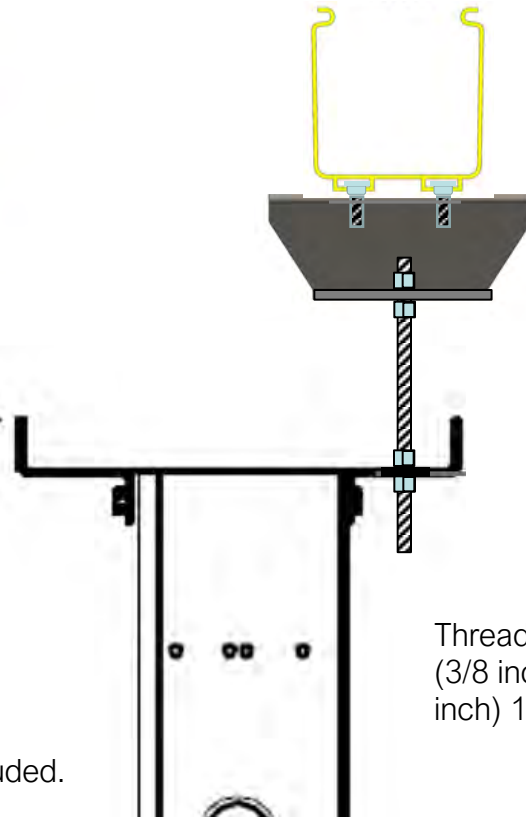
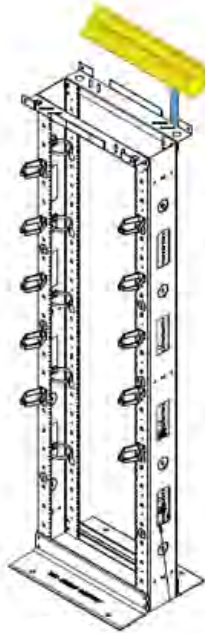
Mounting Bracket Install: Rack Option 1



For 50mm and 100mm



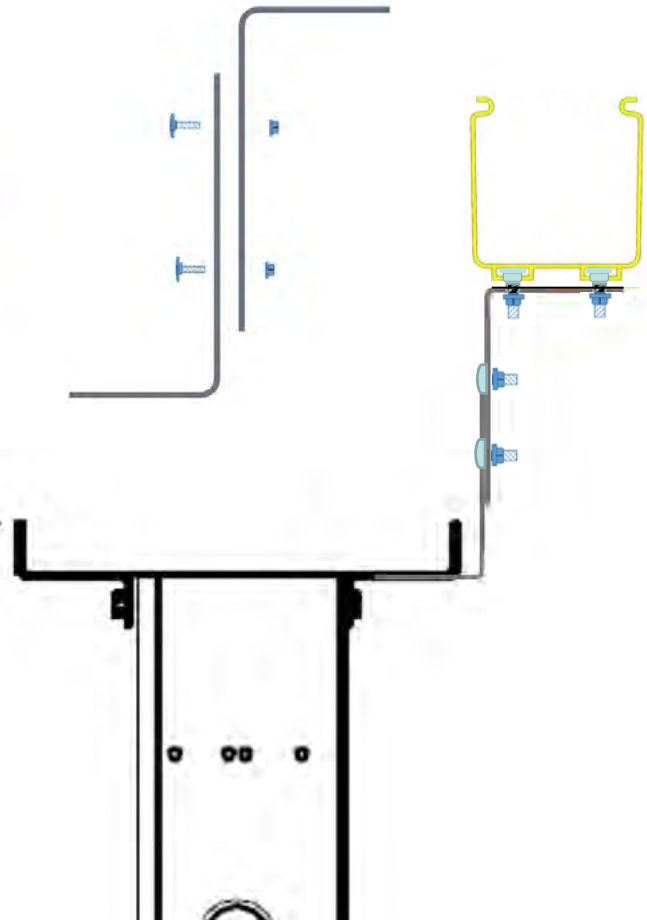
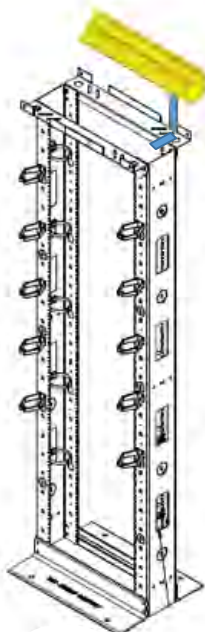
For 200mm and 300mm



Threaded rod range
(3/8 inch to 5/8
inch) 10mm-16mm)

Threaded rod and hardware not included.

Mounting Bracket Install: Rack Option 2



LightWays™ Instructions

Mounting Bracket Install: Cabinet Option 2

Contact cabinet manufacture to confirm if it can support accessory mounting loads on top of cabinet, and where they should they be attached.

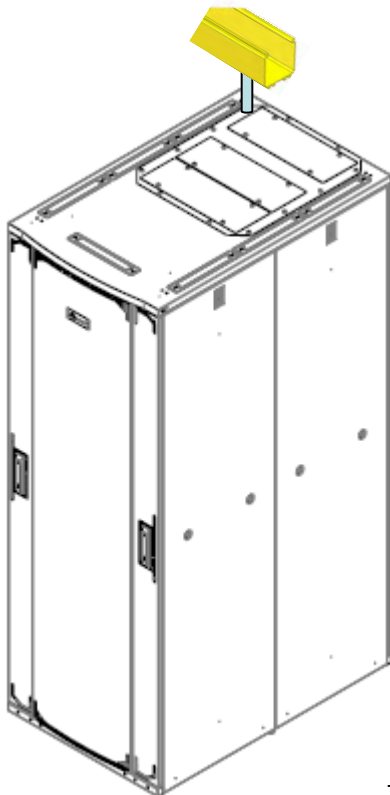
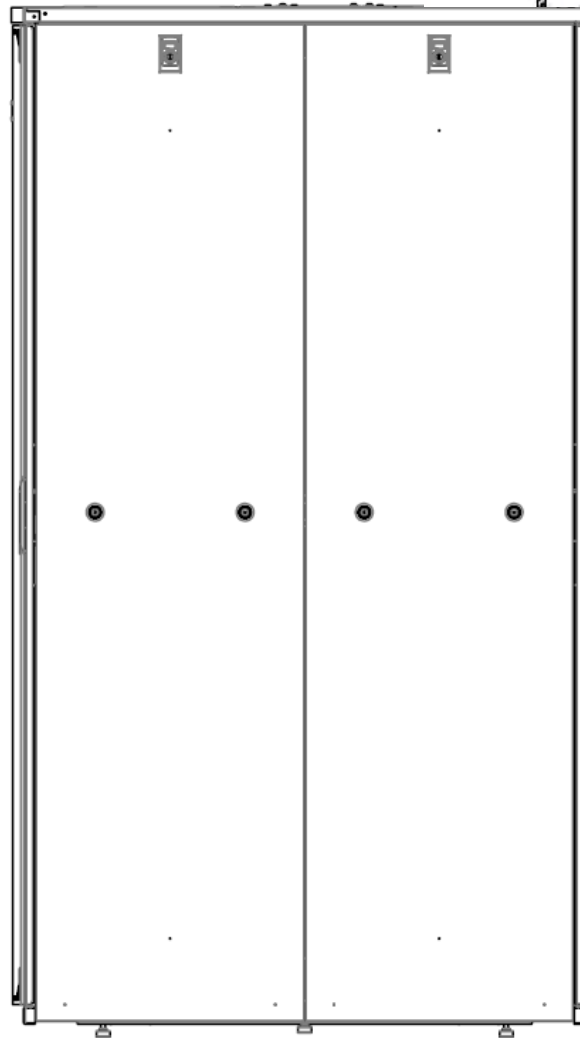
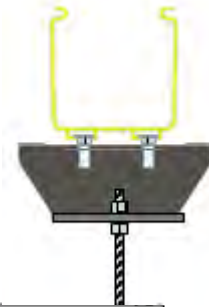


For 50mm and 100mm



For 200mm and 300mm

Threaded rod range
(3/8 inch to 5/8 inch)
10mm-16mm)

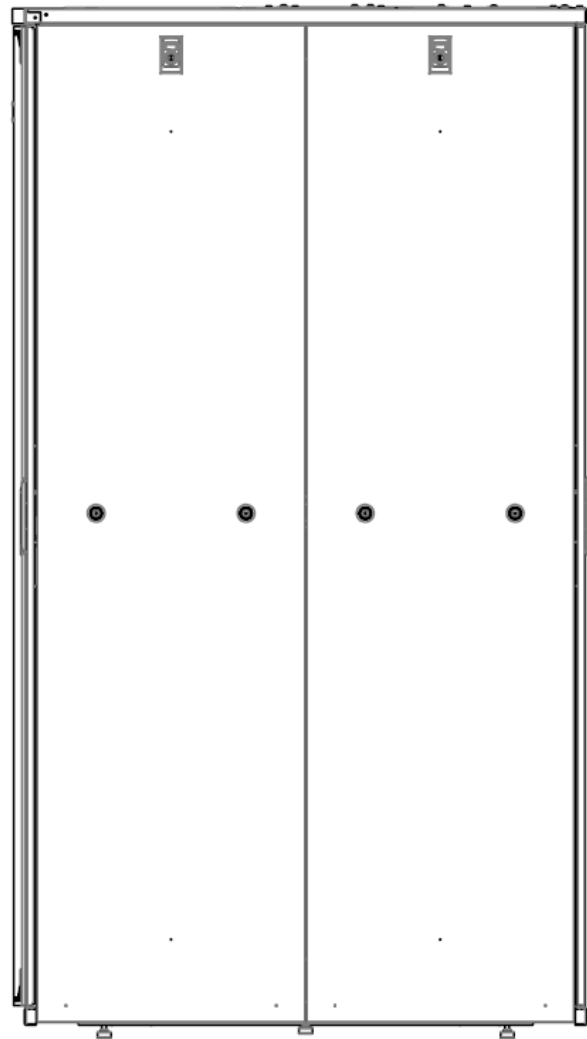
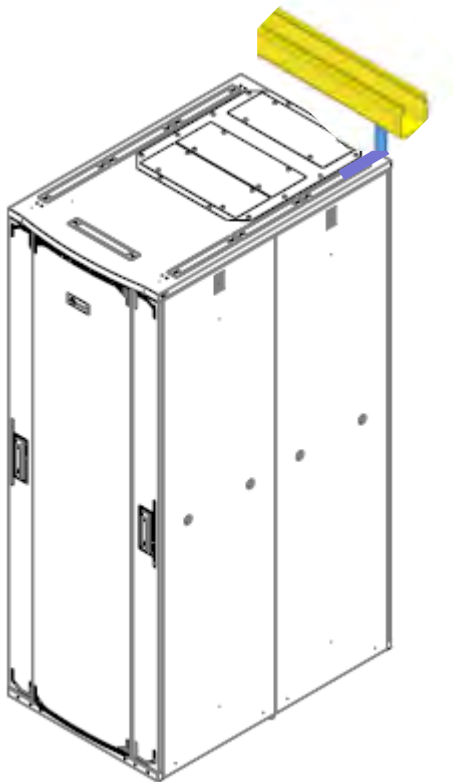
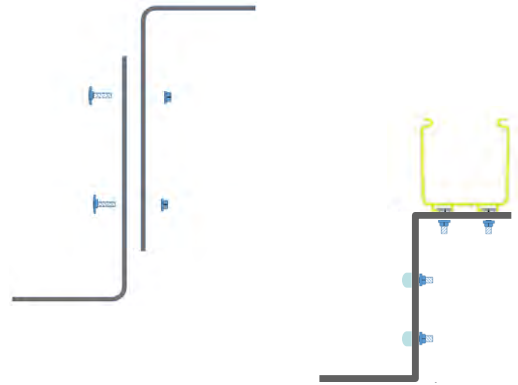


Threaded rod and hardware not included.

LightWays™ Instructions

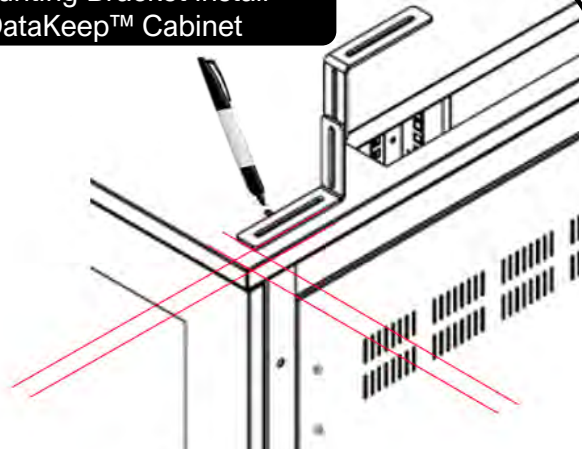
Mounting Bracket Install: Cabinet Option 2

Contact cabinet manufacture to confirm if it can support accessory mounting loads on top of cabinet, and where would they should be attached.



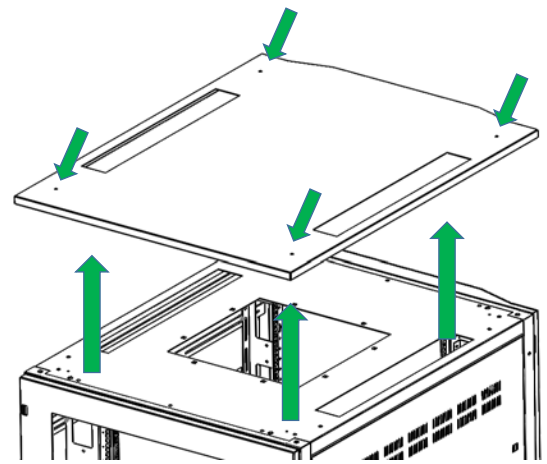
LightWays™ Instructions

Mounting Bracket install DataKeep™ Cabinet



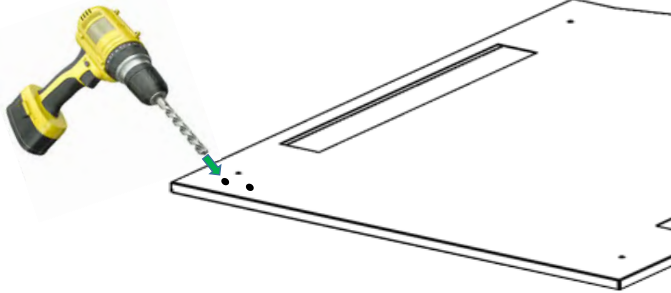
1

Mounting bracket should be mounted 31.75mm (1.25 inches) from the edges of the lid corners. Mark bracket mounting holes on lid.



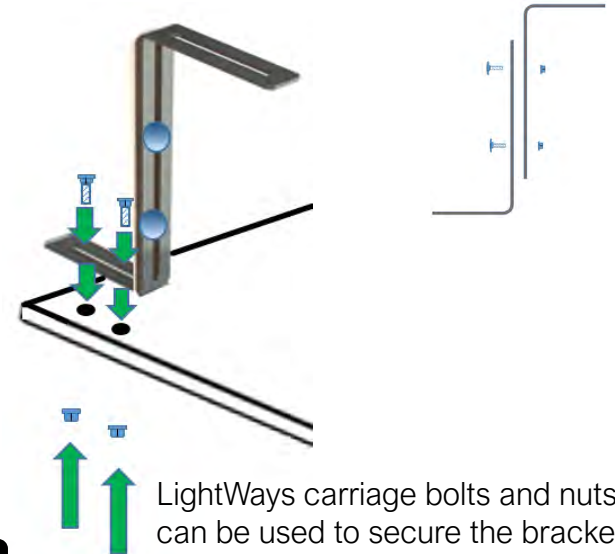
2

Remove the four lid securing Philips head screws and left the lid off the cabinet.



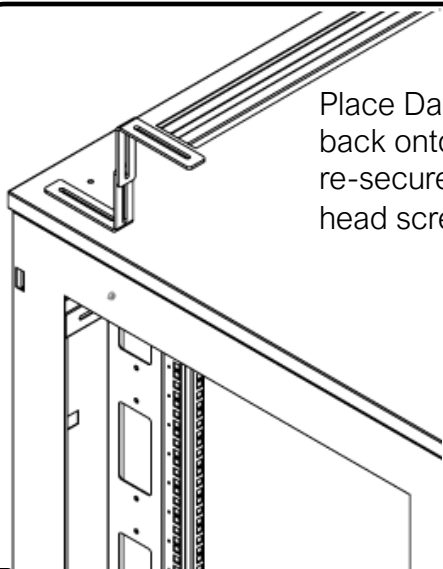
3

Using drill with 1/4 inch drill bit, drill marked positions on lid.



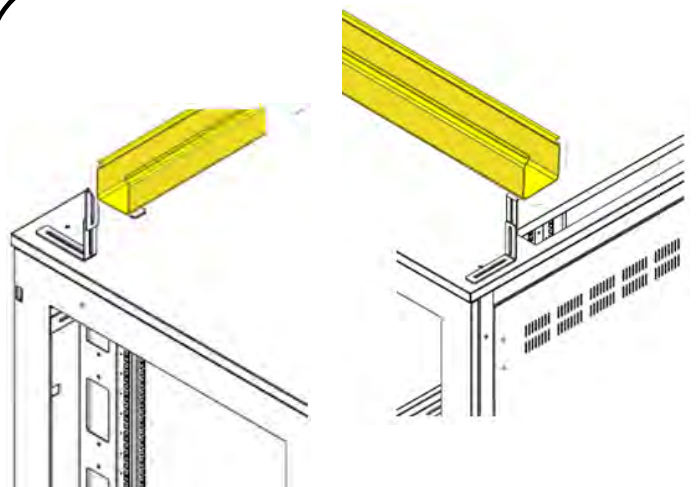
4

LightWays carriage bolts and nuts can be used to secure the bracket to the lid.



5

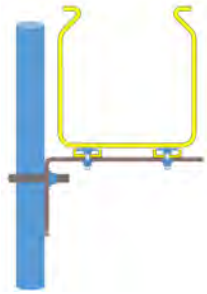
Place DataKeep lid back onto cabinet and re-secure with Philips head screwdriver.



6

LightWays™ Instructions

Threaded Rod



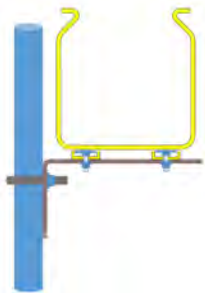
200mm to 300mm

50mm to 100mm

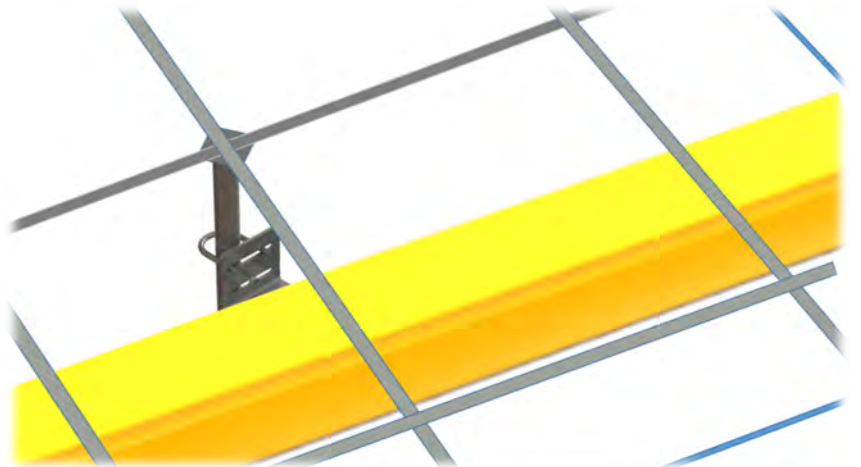
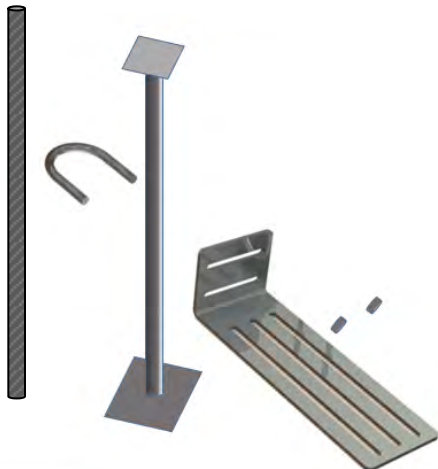
U-Bolt diameter range (7/8 inch to 1 1/4 inch) 22mm to 31.75mm.

Threaded rod and hardware not included.

Under Floor

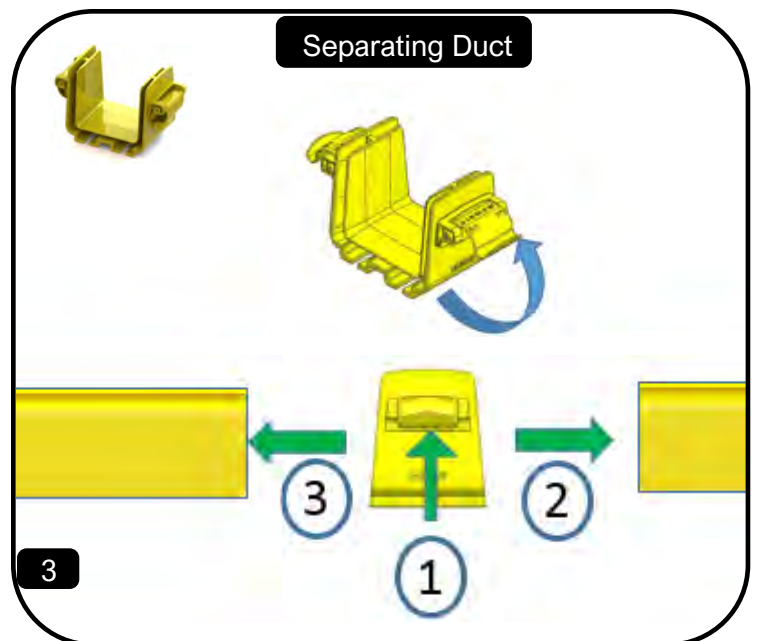
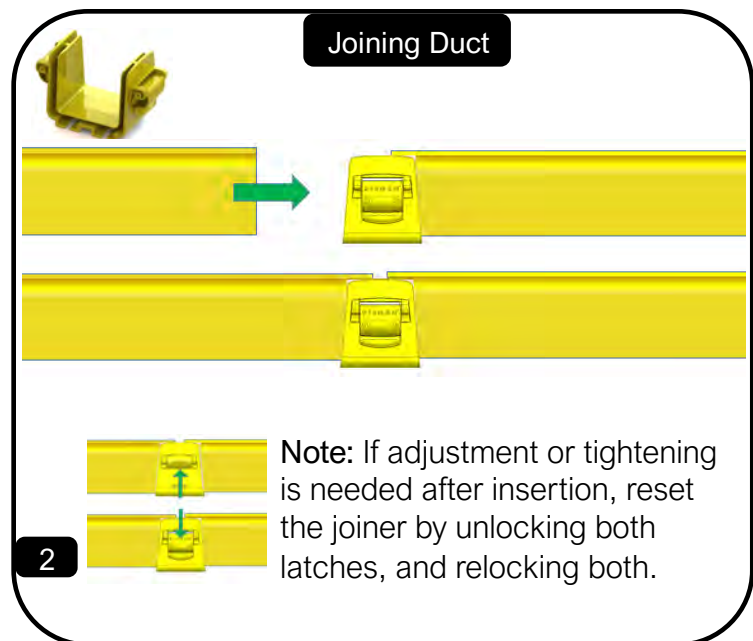
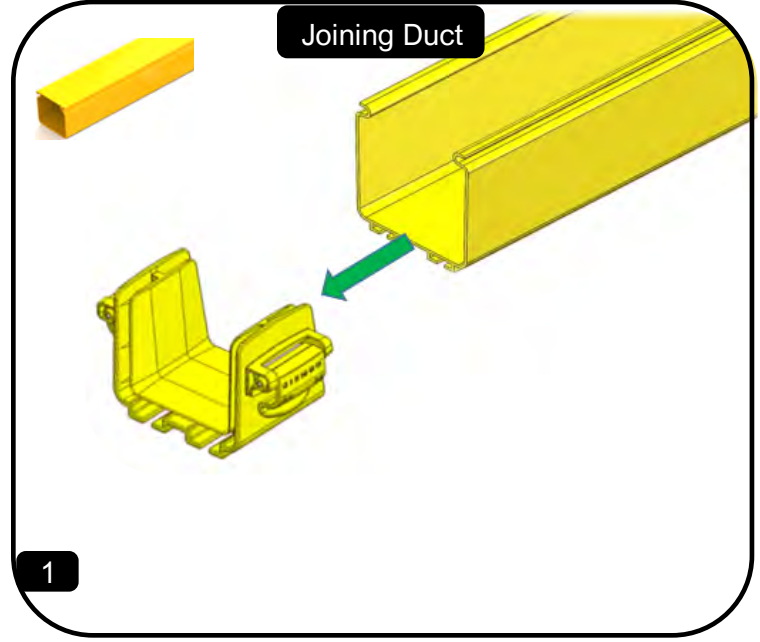
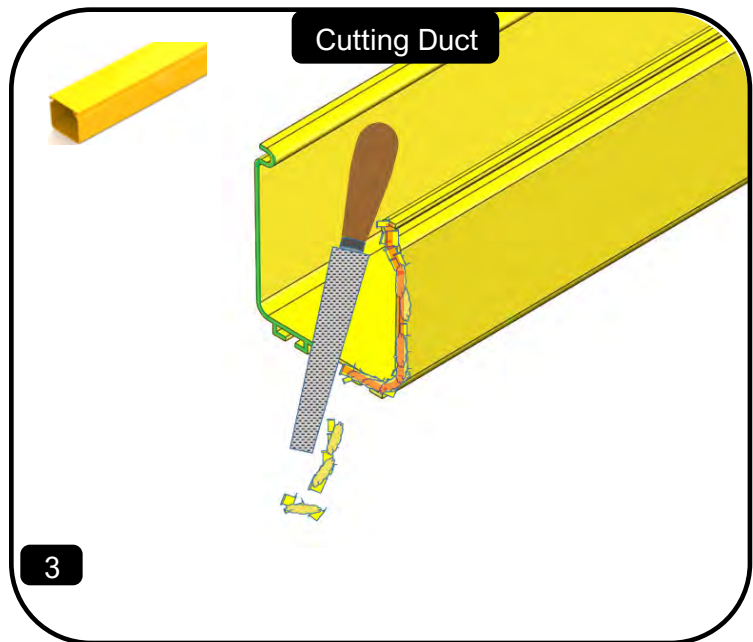
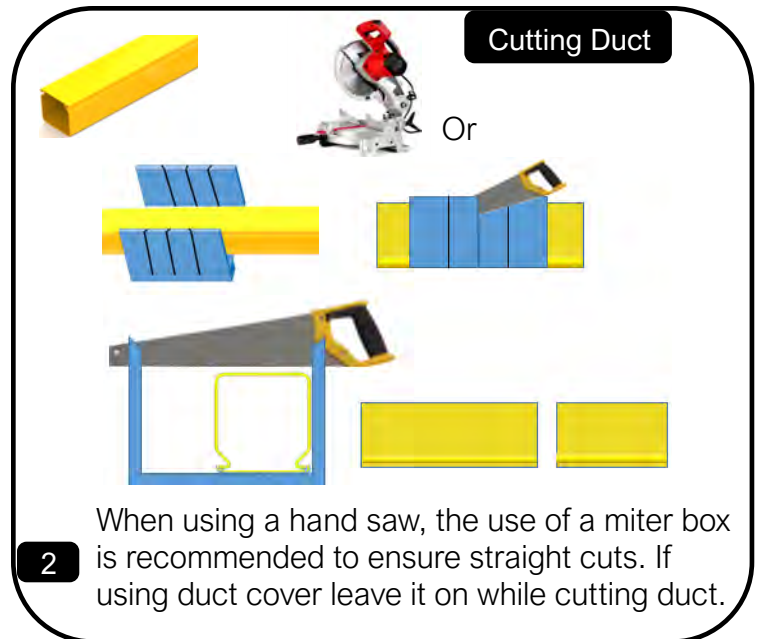
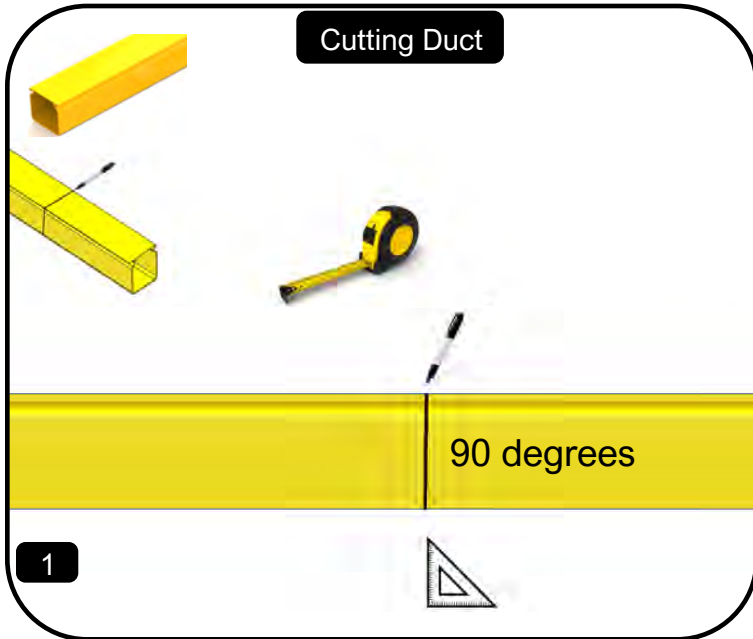


Note: If mounting to floor pedestal, contact raised floor manufacture to confirm if the pedestal can support accessory mounting loads.



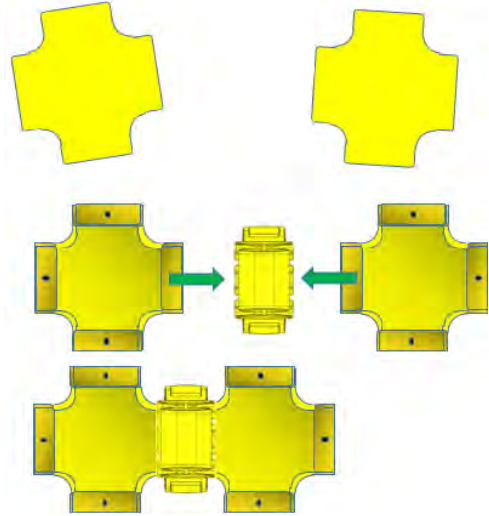
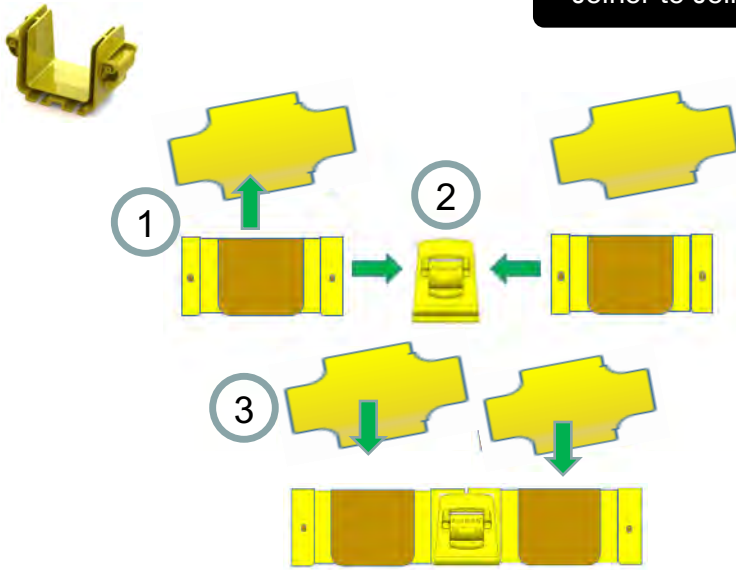
U-Bolt diameter range (7/8 inch to 1 1/4 inch) 22mm to 31.75mm.

LightWays™ Instructions

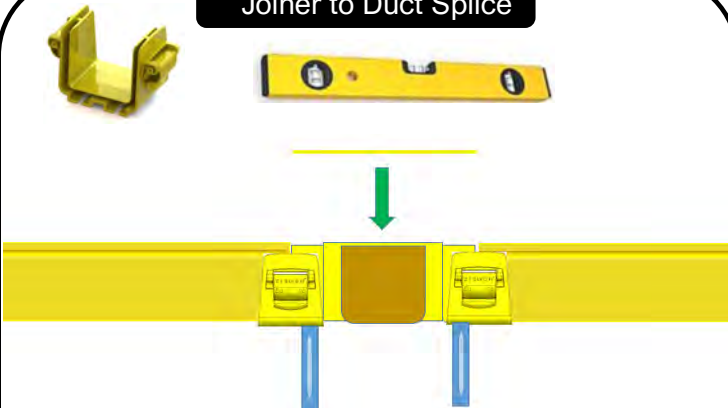


LightWays™ Instructions

Joiner to Joiner Splice

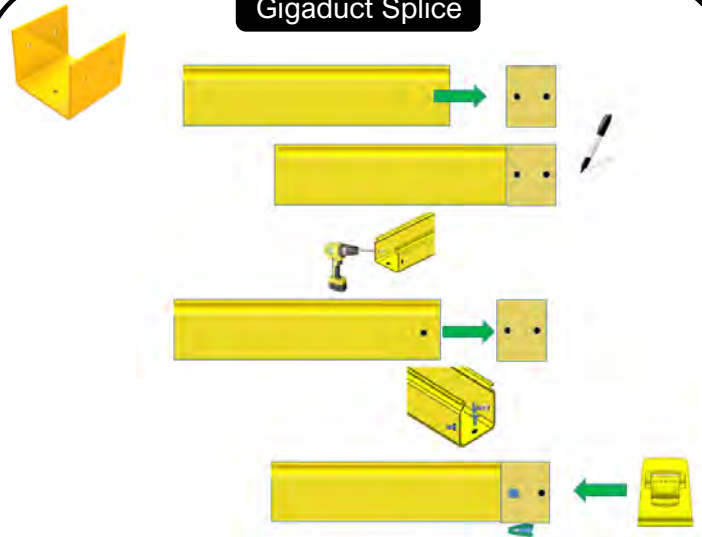


Joiner to Duct Splice



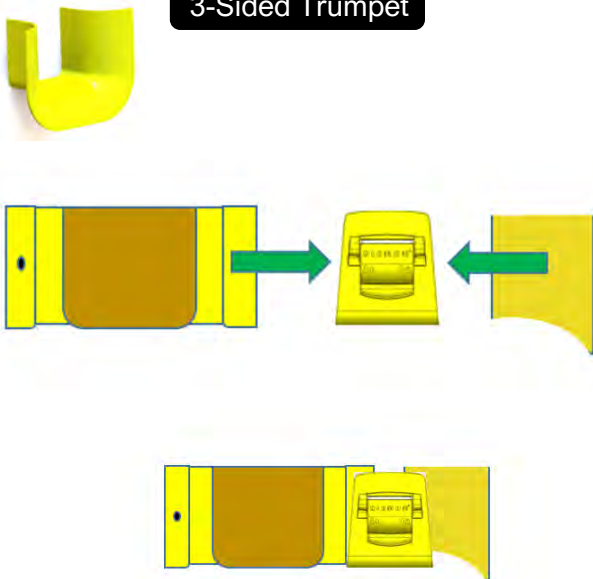
When using 200mm ducting with more than 25% cable fill and 300mm ducting with more than a 20% cable fill the use of the strength bracket is recommended on either side of the joiner.

Gigaduct Splice

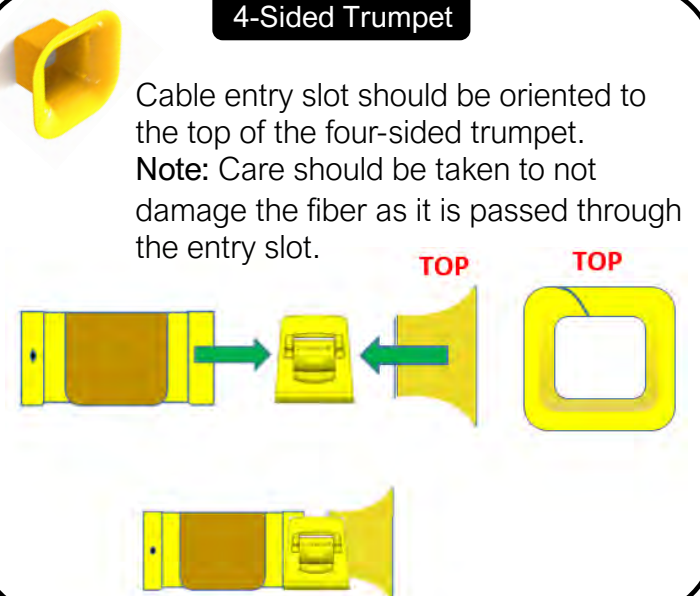


⚠ For legacy Gigaduct only

3-Sided Trumpet



4-Sided Trumpet

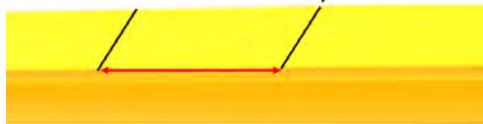


Cable entry slot should be oriented to the top of the four-sided trumpet.
Note: Care should be taken to not damage the fiber as it is passed through the entry slot.

LightWays™ Instructions



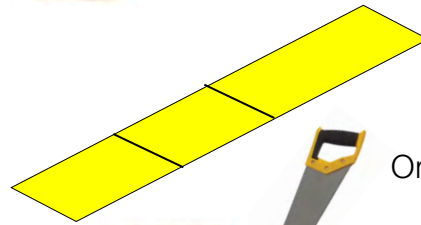
If using the duct cover with the waterfall it is necessary to cut the cover and remove a 298mm (11.75") section.



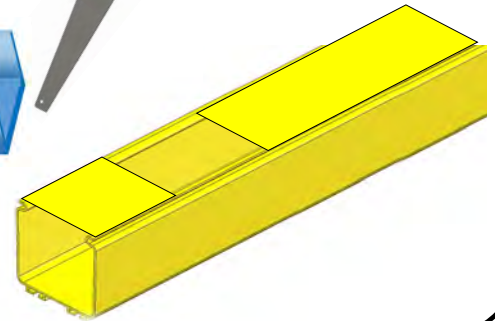
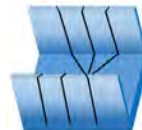
1 298mm (11.75")



Waterfall

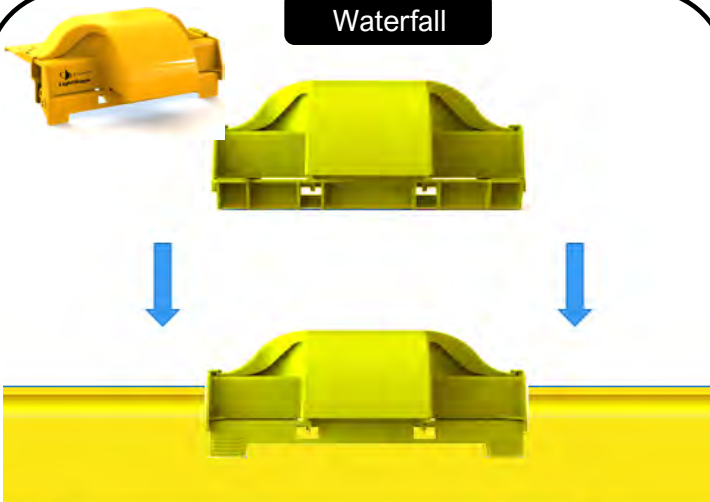


Or

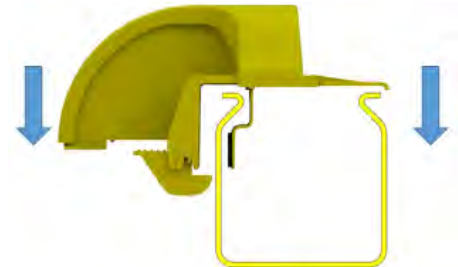


2

Waterfall



1

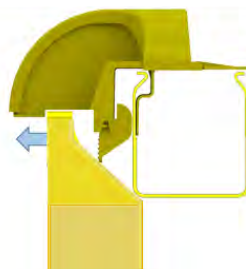


2

Waterfall

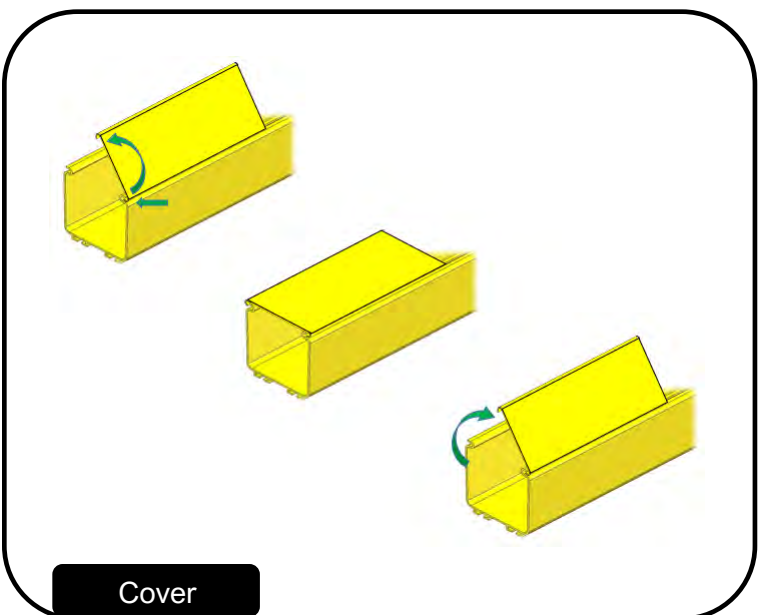
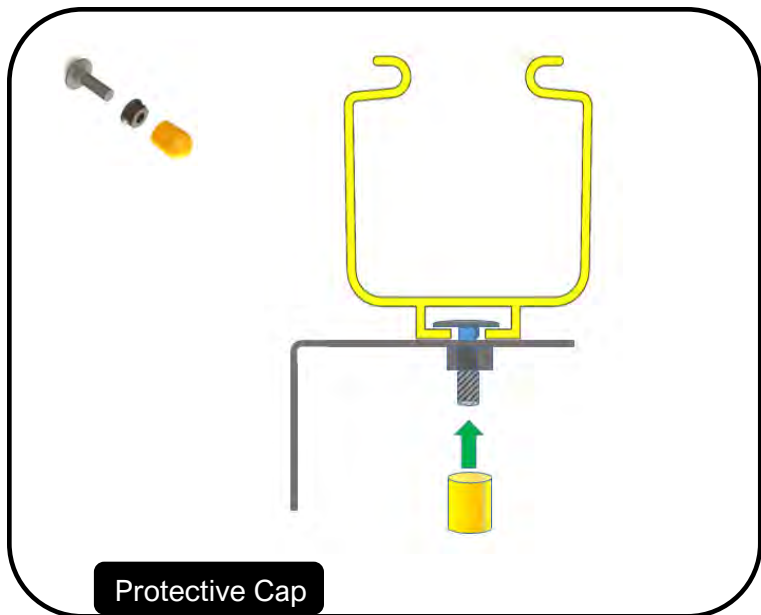
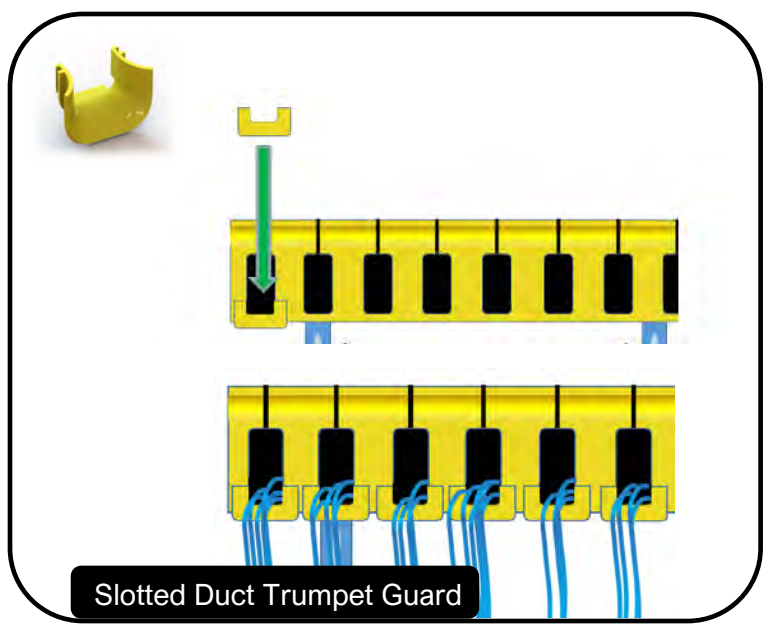
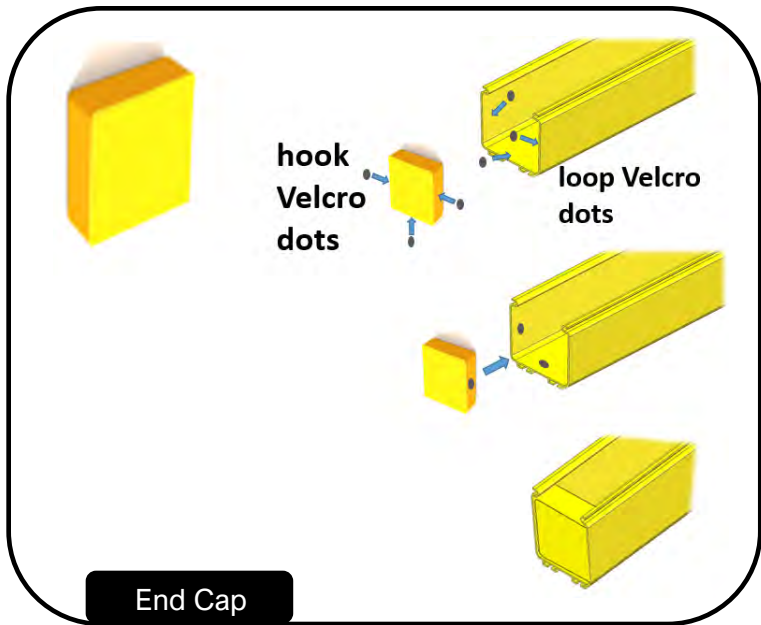
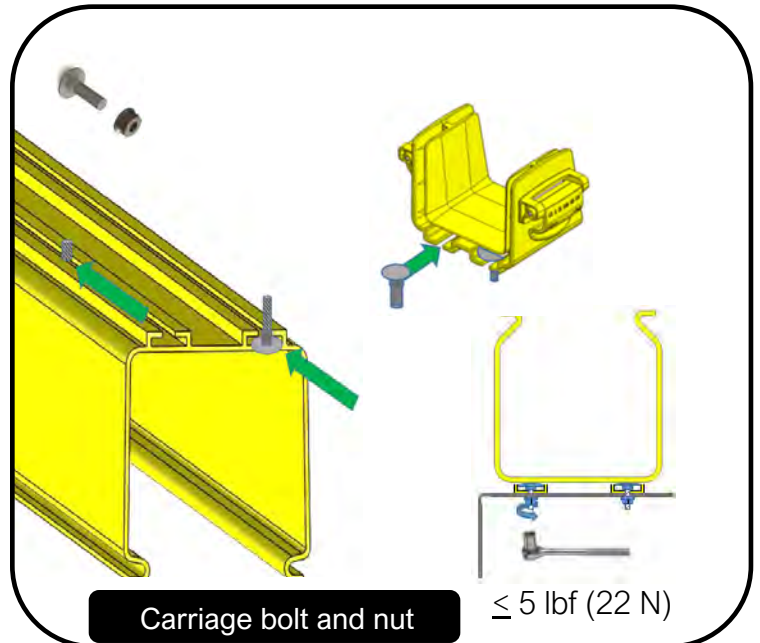
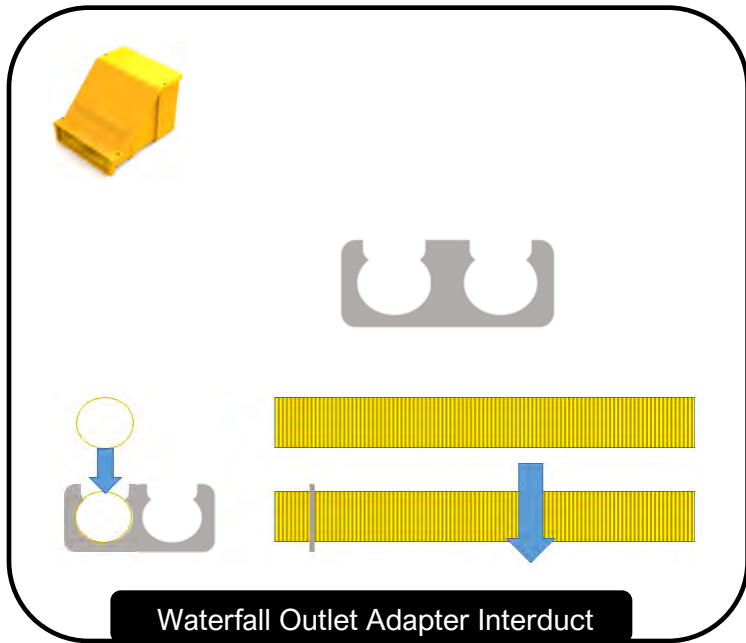


Waterfall Outlet Opening Trumpet

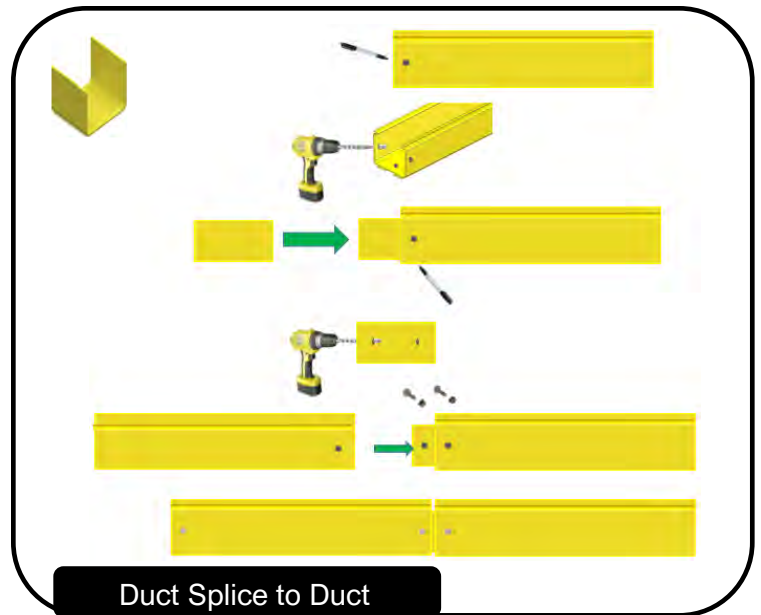
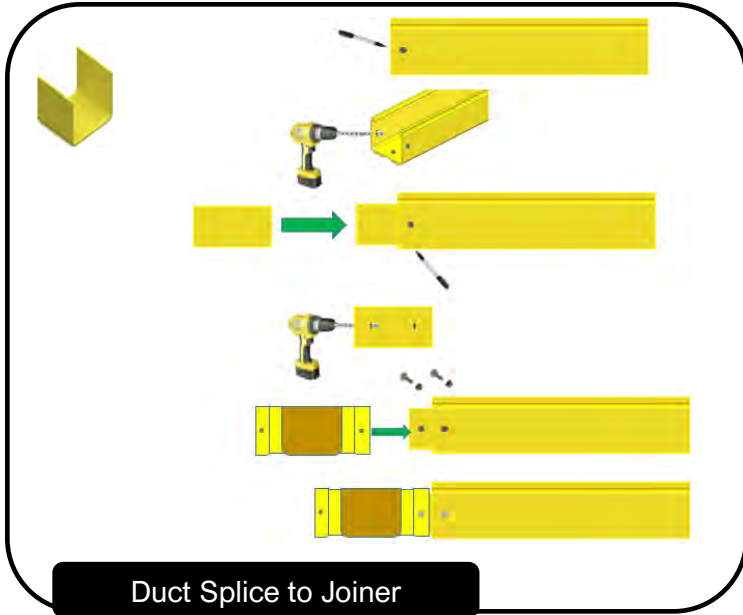


Waterfall Outlet Adapter

LightWays™ Instructions



LightWays™ Instructions



Comply with the following for safe installations:

- A. Use caution when installing or modifying telecommunications circuits.
- B. Never touch uninsulated wire terminals unless the circuit has been disconnected.
- C. Never install this device in a wet location.
- D. Never install wiring during a lightning storm.



Global Headquarters
Watertown, Connecticut USA
Tel: (1) 866-548-5814



www.siemon.com

For a complete listing of our global offices visit our website.