

Fingerprint Access Control

Secnor NAC-4006FP has simple design with 2.4inch HD screen. It has Finger Print access control, password and card recognition for time attendance.

Application

Office areas, schools, communities, office buildings, hotels, shopping malls, shops, public service places, etc.

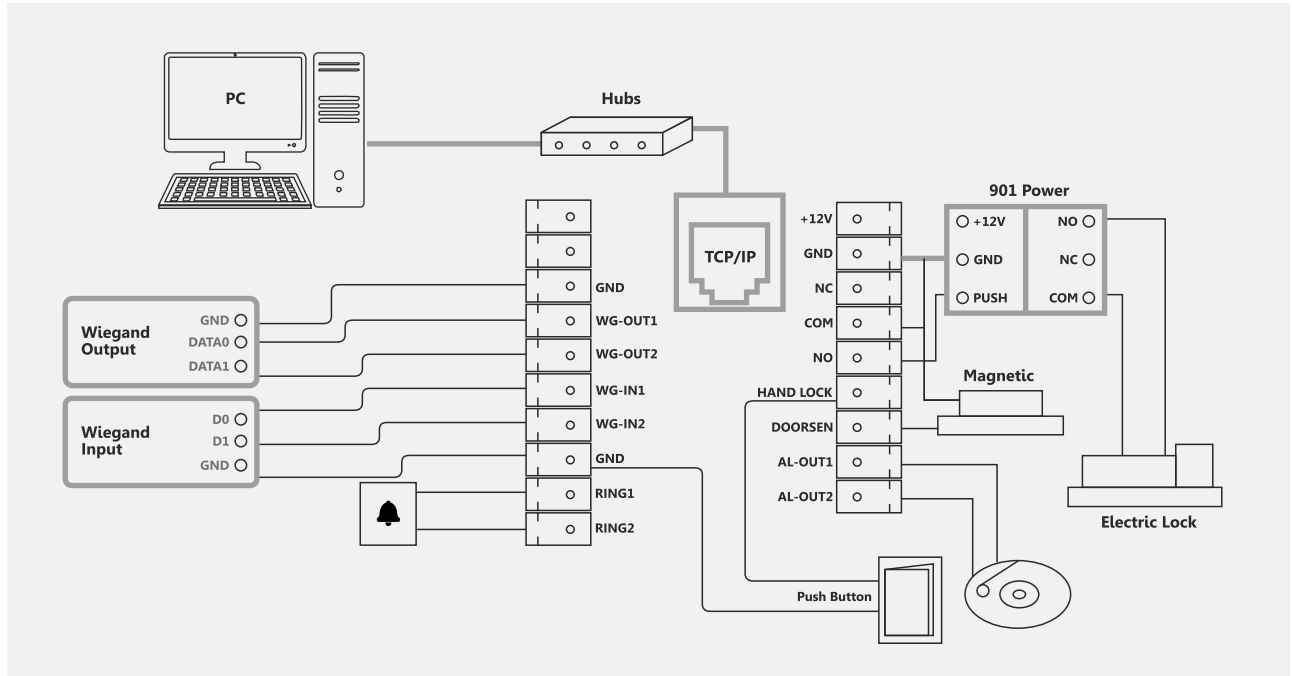


Technical Parameters

Screen size	2.4inch
ID/IC card	ID (IC Optional)
User capacity	3000
Fingerprint capacity	3000
Password capacity	3000
Card capacity	3000
Data capacity	160000
Wiegand input	Yes
Wiegand output	Yes
TCP/IP	Yes
USB communication	Yes
Recognition speed	≤1s
FAR	≤0.0001%
FRR	≤0.1%
Power	12V1A
Ambient temperature	-10°C~45°C
Environment humidity	20~80%
Product Size	190x85x35mm

Fingerprint Access Control

Wiring Diagram



ORDERING INFORMATION

Part Number	Description
NAC-4006FP	Fingerprint Access Control