



CENTRALISE • OPTIMISE • ECONOMISE

Tendo Pod PoE



Product Overview

Features

- Up to 8 emergency luminaires / exit signs per POD.
- 802.3 at type 2 Power Over Ethernet communication to the lighting control system.
- Mount in the ceiling space with only 1 x Cat6 / 6A cable back to the centralised control location.
- Full self-test capability allowing for automated reporting and fault diagnosis.
- Multiple luminaire options within the ecosystem.
- Use Cat6 / 6A patch cables to connect the luminaires.
- Use with emergency luminaires (pages 2 - 3)

Electrical Specifications

Input

Input Voltage: 802.3 at type 2 PoE standard
Connection: 1 x RJ45

Output

Output Charge Voltage: 5V (nominal)
Output Charge Current: 220mA (max.)
Output Power Total: 9W (max. across all outlets)
Max emergency units per RJ45: 1
Connection: 8 x RJ45

Mechanical

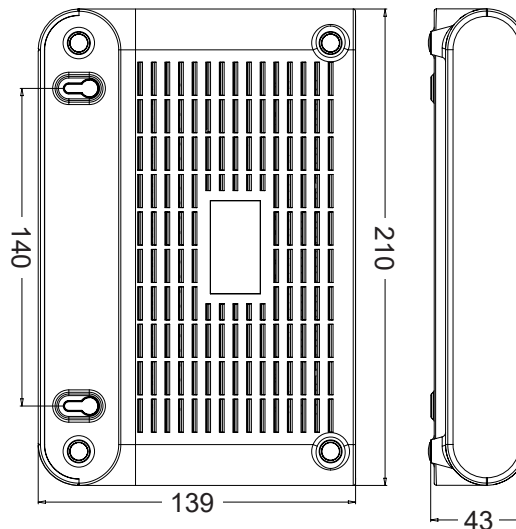
Construction: ABS / PC mix - IP20

Environmental

Operating Ambient Temperature: 5°C to +40°C

Dimensions

All dimensions in mm



Part Number

IDEM-POD27-8-PoE-ST

Supports the application of:

BS 5266-1:2016 - Emergency lighting. Code of practice for the emergency lighting of premises.

System designed according to:

BS EN 61347-2-7:2012
BS EN 62034:2012

www.istl.com



iDrive® products are covered by IST's worldwide patent portfolio. For more information please refer to www.istl.com

PoE emergency lighting system
Non-maintained, 3 hour duration, self-test

Version:
1.1

Micro Optic Luminaire



Features

- Corridor and open area optic options for efficient deployment.
- Small size for minimal visual impact.
- Integrated 'halo' indicator LED.
- Simple RJ45 input connection to battery unit.

Specifications

Power

LED Voltage: 3.4V DC (nominal)
LED Current: 450mA
LED Connection: 1 x C4202-H02X2
Input Connection: RJ45 (to POD only)

Light Output

Output Flux (450mA, 3 hour): 180lm (nominal)
CCT: 6000K
CRI: 70

Lens options

Corridor: 155° x 115°
Wide area: 135°

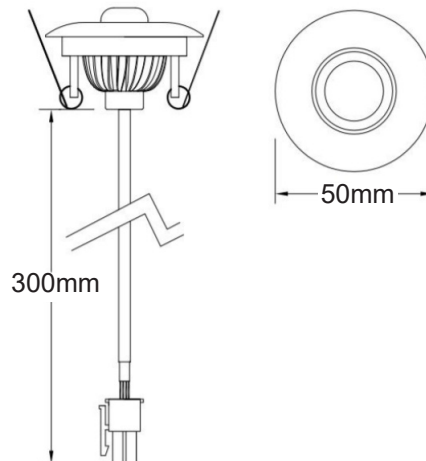
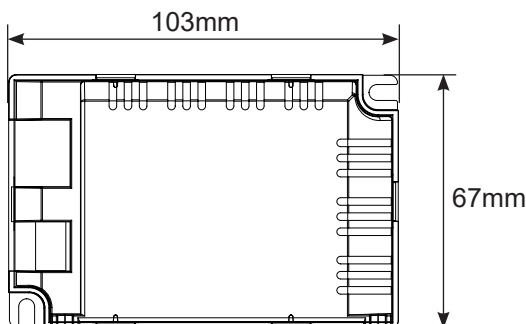
Environmental

Operating Ambient Temperature: 0°C to +50°C
Ingress Protection: IP54 (front of luminaire only)

Part Number

Open area optic
IDEM-MO3hr-OA

Corridor area optic
IDEM-MO3hr-CO





CENTRALISE • OPTIMISE • ECONOMISE

Surface Bulkhead



Specifications

Power

LED Power: 1.5W (nominal)
Input Connection: RJ45 connector (internal)
3000mAh 3.2V LiFePO4 battery

Light Output

Output Flux: 165lm (nominal)
CCT: 6000K
CRI: 70

Lens options

Open area / Corridor optics

Environmental

Operating Ambient Temperature: 0°C to +50°C
Ingress Protection: IP40

Dimensions

130 x 130 x 35mm

Part Numbers

Open area optic

IDEM-2BH1hr-OA
IDEM-2BH3hr-OA

Corridor area optic

IDEM-2BH1hr-CO
IDEM-2BH3hr-CO



Specifications

Power

LED Power: 2W (nominal)
LED Connection: 1 x C4202-H02X2
Input Connection: RJ45 connector (internal)
3000mAh 3.2V LiFePO4 battery

Light Output

Output Flux: 230lm (nominal)
CCT: 6000K
CRI: 70

Light output

90degree wide angle

Environmental

Operating Ambient Temperature: 0°C to +50°C
Ingress Protection: IP54 (with cover)

Dimensions

239 x 121 x 43mm

Part Numbers

IDEM-4BH1hr-90
IDEM-4BH3hr-90

PoE emergency lighting system
Non-maintained, 1-3 hour duration, self-test

www.istl.com

iDrive® products are covered by IST's worldwide patent portfolio. For more information please refer to www.istl.com



Version:
1.1

Exit Sign



Features

- Ceiling and wall mount options.
- Integrated electronics and battery.
- Charge / power indicator LED.
- 3 hour duration.

Specifications

Power

LED Power: 1.3W (nominal)
Input Connection: RJ45 cable (150mm)
3000mAh 3.2V LiFePO4 battery

Environmental

Operating Ambient Temperature: 0°C to +50°C
Ingress Protection: IP40

Part Number

Ceiling mount
IDEM-EXCL-XX

Wall mount
IDEM-EXWL-XX

XX = arrow (UP/DN/LX/RX)

